



Price book  
Arkta furniture program

Prices in EUR excl. VAT  
Valid from the 1st of June 2022

## Imprint

Publisher:  
Alape GmbH, Goslar

Agency:  
Deutsche & Japaner, Mannheim

Photography by:  
Christoph Sagel, Berlin  
unsplash.com

Printed by:  
Kunst und Werbedruck, Bad Oeynhausen

Arkta design partner:  
sieger design, Sassenberg

Further design partners:  
Busalt Design, Traunreut  
Wolfgang Hartauer, Holzminden

## Content

	General information
02	Product information
04	Pricing
06	Module overview
	Price finder
08	Furniture modules
20	Cabinets
21	Basins
22	Handles
24	Arkta accessories
26	Mirrors and shelves
	Technical information
31	Note on handle positions
32	Mounting and connection measurements
36	X-tra Service
38	Terms of trading and delivery
40	Contact information

All furniture parts comply with the requirements of DIN 68935 and the Ordinance on Hazardous Substances E1 with regard to formaldehyde emissions.

## Real wood surfaces

### Carcass and furniture front

The carcass and furniture fronts are manufactured from 16 / 19 mm thick chipboard and covered on both sides with real oak veneer. The frame and the edges of the furniture fronts are made with solid oak slats. A clear matt lacquer protects the surface from moisture. The underside, drawers and front traverse are made of chipboard with directly-coated melamine resin decorated in metallic black, with ABS edges. The rear consists of a 20 mm thick plywood, which is covered on both sides with HPL laminate and surrounded by an ABS edge.

### Oak veneered tall cabinet and mid-height cabinet

The carcasses are made of 12 mm thick chipboard and covered on both sides with real oak veneer. 12 mm thick chipboard panels coated with a melamine resin decorated in metallic black are used for the construction phase. The back panel is made of 16mm thick chipboard which is recessed, grooved and then coated with a melamine resin decorated in a metallic black. The cabinets are attached to the wall via an aluminium suspension rail.

Natural variations in texture, grain as well as small knots, porosity and colour are part of the authenticity of the natural wood material and are not grounds for complaints. The grain of the furniture modules runs horizontally whereas the tall and mid-height cabinets runs vertically. Due to the natural wood product, it is not possible for a grain pattern to run continuously over several furniture fronts.

## Lacquer surfaces

### Carcass and furniture front

The carcass and furniture fronts are made of 16 / 19 mm thick MDF boards, which have multiple layers of lacquer for protection against moisture. All lacquers used are non-hazardous to health and do not contain any harmful substances. The underside, drawers and front traverse are made of directly coated melamine resin decorated in metallic black, surrounded by an ABS edge. The rear 20 mm thick traverse is made of a multiplex board covered with HPL on both sides, the edges are then protected by an ABS edge.

### Tall cabinet and mid-height cabinet lacquer

The carcasses are made of 12 mm thick MDF boards with multiple layers of lacquer. The back panel is made of 16mm thick chipboard which is recessed, grooved and then coated with a melamine resin decorated in various patterns. The cabinets are attached to the wall via an aluminium suspension rail.

## Drawers

The drawers are fully extendable and equipped with a soft-closing mechanism. The drawer fronts are available in three dimensions. We provide the soft close mechanism as standard across the range of furniture with and without handles. The drawers can be easily taken out for cleaning purposes.

It is also possible to order Tip-On with Softclose.

## Hinges

These hinges are made entirely of metal and can be adjusted; the opening angle is 110°. Easy mounting and dismounting is possible without tools thanks to the clip technology and the functional safety device. The adjustment mechanism is covered by the Alape logo.

## Hangers

The aluminium hanging system with hanger bolts slides onto the traverse. Simple alignment is achieved by turning the bolts. Additional securing screws are located in the suspension traverse.

## Internal dividers

The internal dividers made of powder-coated aluminium in black, including felt insert, can be ordered either as a set or individually. For details, see page 24.

## Night light

We offer an optional night light as an accessory. The luminous colour is matched to the Alape Design mirrors (neutral white 4000 K). The night light is dimmable, and can come with either a remote control or a Zigbee control system. Since the LED strip is installed flush into the underside of the carcass. It must be requested when placing the order. A mains plug must be provided for fitting. The energy efficiency corresponds to class G. For details, see page 25.

## Handles

There are three models to choose from, each with three distinct finishes. Bow knob and textured handle, each in brushed stainless steel, matt brass / brushed brass and matt black finishes, we additionally offer railing handles in three sizes and in the matt black finish. For details, see page 22.

## Countertops

### Ceramic (NEOLITH)

The ceramic used consists of 100% raw materials. It contains no chemicals or other artificial additives. This means that each panel is 100% recyclable. The materials granite, quartz, feldspar, glass and pebble used in manufacturing create a very resistant surface. Neolith is LEED-certified and boasts the Greenguard seal for its low-emission materials. Variations in colour and structure are part of the characteristic features and do not constitute a reason for complaint.

### Quartz stone

Quartz stone countertops are a composite material mainly consisting of natural quartz crystals with the addition of resin and pigments. The high proportion of natural quartz ensures that the surface is robust, durable and hygienic. The quartz stone countertops are LEED-certified and boast the Greenguard seal for their low-emission materials. Variations in colour and structure are part of the characteristic features and do not constitute a reason for complaint.

### Mineral stone

Mineral stone is a composite material made of an acrylic compound, natural minerals and colour pigments. It has a homogeneous and non-porous surface and is therefore very hygienic and easy to clean. Thanks to the materials used, the surface can be recycled or reused when it is no longer needed.

## Basin made of glazed steel

Glazed steel is light but also extremely robust. The compound material is harder than granite or emerald and sets itself apart thanks to its resistance to impact. The surface is almost non-porous and has glass-like qualities. Neither micro-organisms nor dirt particles can find a foothold, and the surface does not become statically charged to attract dust. This makes our surfaces extremely easy to care for and hygienic. There is a choice of two round Design basins (ø 400 mm) in the colours white, matt grey and matt black. The basins can be combined with a deck-mounted or wall-mounted tap fitting. For details, see page 21.

## Assist shelves and Design mirrors

Assist shelves and Design mirrors are matched with our portfolio and can be perfectly combined with the Arkta furniture system. For details, see page 26.

## X-tra Service

As a manufacturing company, we make a lot of things possible. Find out about the possibilities of our bespoke service from page 36 onwards. Our X-tra Service team will also be happy to assist you.

## Tolerances

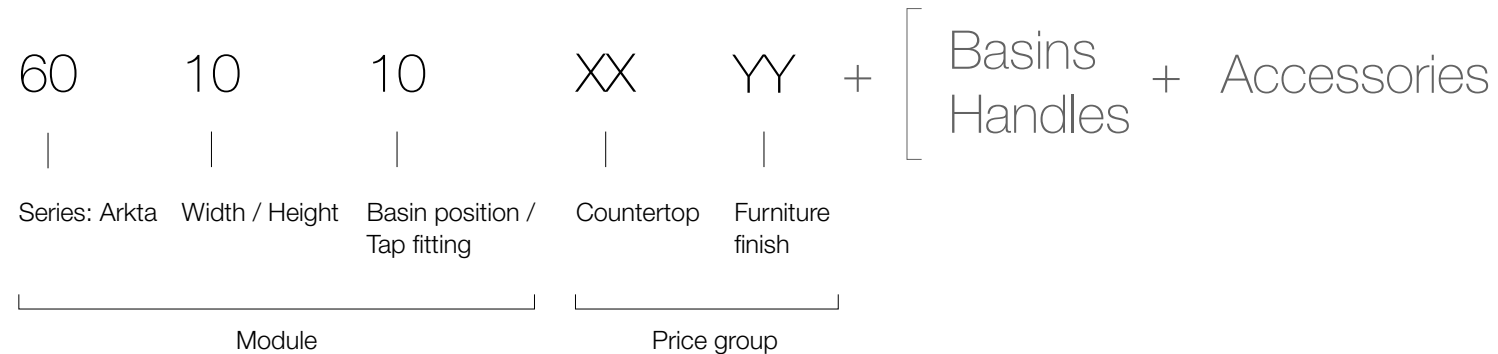
All dimensions are given in millimetres and are subject to the usual tolerances. Exact dimensions must always be determined on the original furniture. We reserve the right to make technical changes as well as changes to the units of measurement.

# Pricing

- ① Choose your furniture module:
  - Predefined height and width
  - Basin position and tap fitting
- ② Choose your materials for the furniture and countertop
- ③ Choose your basin
- ④ Select handle or Tip-On
- ⑤ Choose your accessories (night light, internal dividers)

## Pricing – furniture module

Item number structure



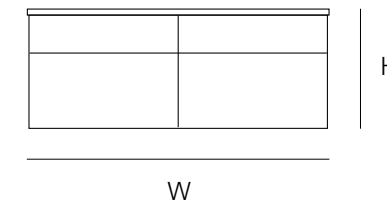
The 10-digit item number is made up of the module and the price group. The module is defined by width, height, tap fitting and basin position. In the price section (from page 8), the item number can be added by selecting the countertops and furniture finish. Basins, handles, night light and accessories must then be added according to the specific composition.

Please specify when ordering: In addition to the 10-digit item number, composition-related information includes the unique assignment of the item number of the basin and also handles, night light or internal dividers if they are required.

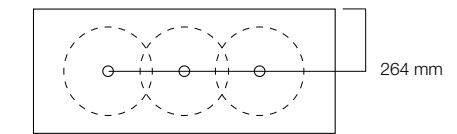
## Module

The modules are predefined by the width and height as well as the position of the basin and tap fitting. Each of the possible 56 combinations is clearly described by the first 6 digits of the item number.

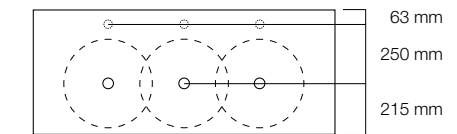
Width / Height



Tap fitting / Basin position



Wall-mounted tap fitting



Deck-mounted tap fitting

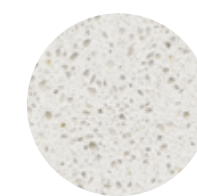
Fixed position of the basin. For dimensions, see connection and mounting measurements from p. 32 onwards

Fixed position of the basin and tap hole. For dimensions, see connection and mounting measurements from p. 32 onwards

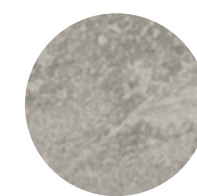
## Price group

The price group is made up of the countertop and furniture finish and must be added separately to the 7th – 10th position of the item number when ordering.

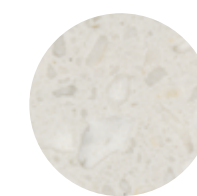
## XX = Countertop material



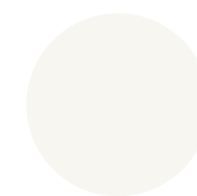
Quartz stone Snow (73)



Neolith New York Silk (74)



Neolith Retrostone Silk (75)



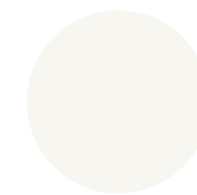
Mineral stone White (71)



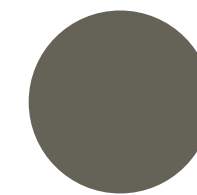
Quartz stone Carrara (72)

## YY = Furniture finish

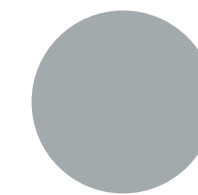
Lacquer surfaces



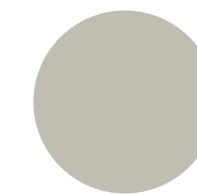
Matt lacquer White (51)



Matt lacquer Quartz grey (52)



Matt lacquer Turquoise grey (53)



Matt lacquer Silk-grey (54)

Wood surfaces



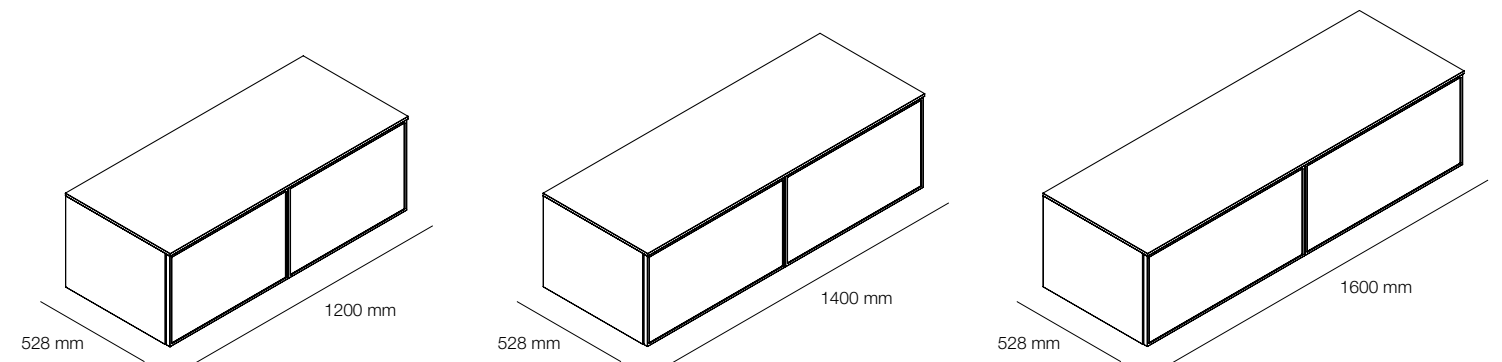
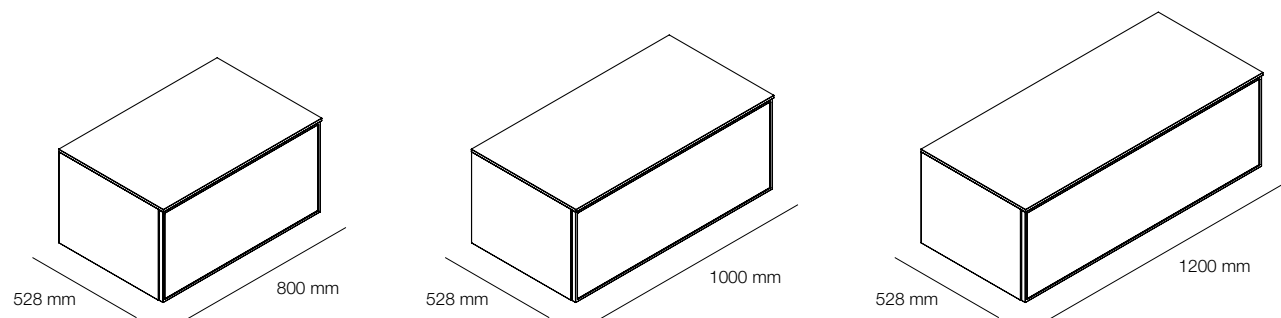
Real wood veneer Oak brushed (55)

# Module overview

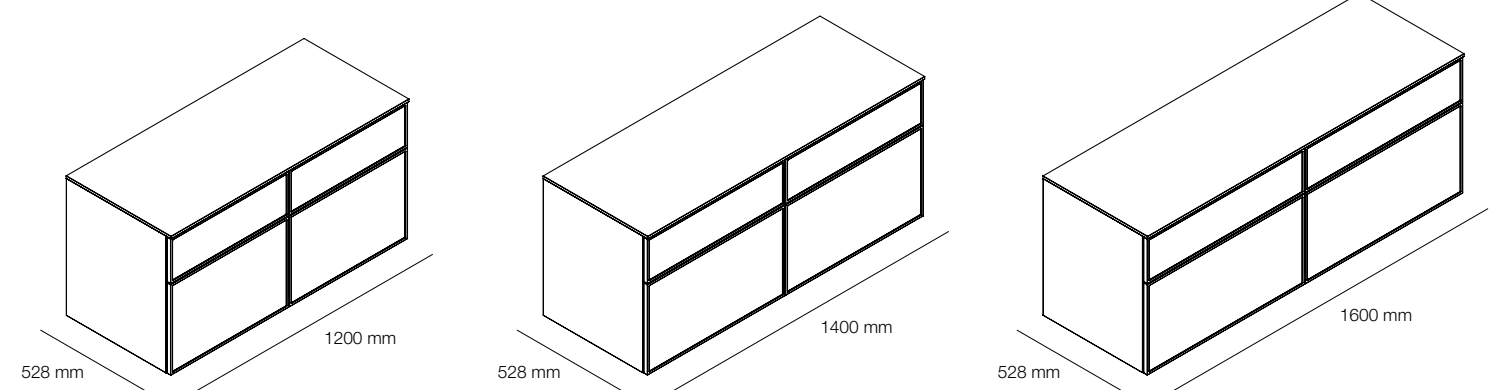
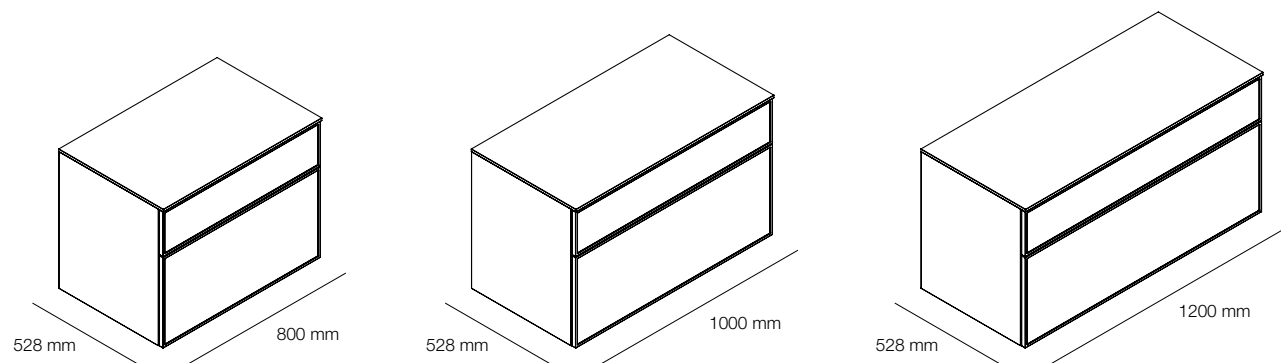
The furniture modules are available in two heights and five widths. There are 56 modules to choose from. From a width of 1200 mm, you can choose between the basin position on the left, right or a double washbasin.

All modules are available with deck and wall-mounted tap fittings and are equipped with a soft-close mechanism as standard. Handles or Tip-On mechanism can be ordered as an option.

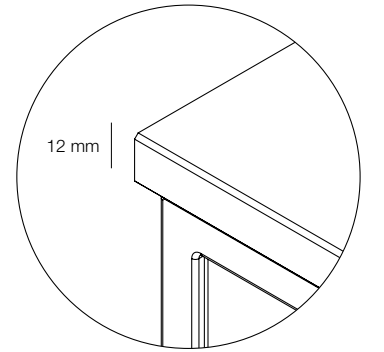
## Height: 400 mm



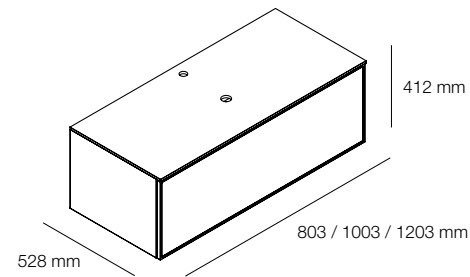
## Height: 600 mm



The heights of the modules listed below do not include the 12 mm thick countertop. Taking into account the surrounding chamfer, it protrudes on three sides by 1–1,5 mm.

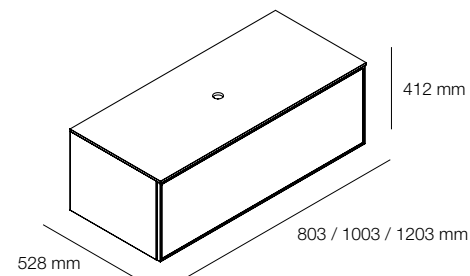


# Furniture module: Centrally positioned basin



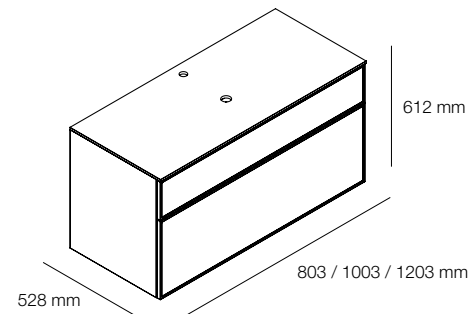
Furniture module, one drawer with Softclose, without bottle trap cut-out, with space-saving bottle trap, including countertop, one basin hole ø 45 mm, for a centrally positioned basin, with one tap hole, centred behind basin, including fixing set

Width × Height	Item number
803 × 412 mm	60 10 10 XX YY
1003 × 412 mm	60 12 10 XX YY
1203 × 412 mm	60 14 10 XX YY



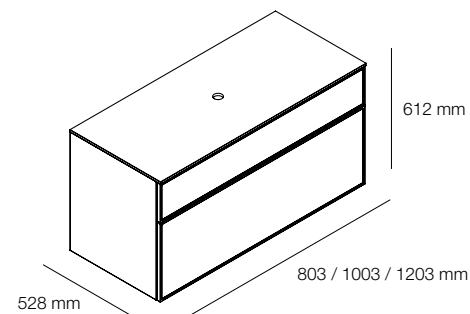
Furniture module, one drawer with Softclose, without bottle trap cut-out, with space-saving bottle trap, including countertop, one basin hole ø 45 mm, for a centrally positioned basin, without tap hole, includes fixing set

803 × 412 mm	60 10 11 XX YY
1003 × 412 mm	60 12 11 XX YY
1203 × 412 mm	60 14 11 XX YY



Furniture module, two drawers with Softclose, without bottle trap cut-out, with space-saving bottle trap, including countertop, one basin hole ø 45 mm, for centrally positioned basin, with one tap hole, centred behind basin, including fixing set

803 × 612 mm	60 11 10 XX YY
1003 × 612 mm	60 13 10 XX YY
1203 × 612 mm	60 15 10 XX YY



Furniture module, two drawers with Softclose, without bottle trap cut-out, with space-saving bottle trap, including countertop, one basin hole ø 45 mm, for centrally positioned basin, without tap hole, including fixing set

803 × 612 mm	60 11 11 XX YY
1003 × 612 mm	60 13 11 XX YY
1203 × 612 mm	60 15 11 XX YY

Please specify when ordering: In addition to the 10-digit item number, composition-related information includes the unique assignment of the basin and also the handles, night light or internal dividers if they are required. Fitting and connection measurements from page 32. Prices in EUR / excl. VAT.

XX = Placeholder for countertop material number  
 YY = Placeholder for colour & material number of the furniture finish  
 Please complete item number according to order request

## Price group 1

Countertop material (XX)  
 Quartz stone Snow (73), Neolith New York Silk (74)

Furniture finish (YY)  
 Matt lacquer (51, 52, 53, 54) | Wood (55)

1.850 EUR	2.150 EUR
2.000 EUR	2.350 EUR
2.300 EUR	2.550 EUR

## Price group 2

Countertop material (XX)  
 Mineral stone (71), Neolith Retrostone Silk (75)

Furniture finish (YY)  
 Matt lacquer (51, 52, 53, 54) | Wood (55)

2.100 EUR	2.400 EUR
2.250 EUR	2.600 EUR
2.600 EUR	2.850 EUR

## Price group 3

Countertop material (XX)  
 Quartz stone Carrara (72)

Furniture finish (YY)  
 Matt lacquer (51, 52, 53, 54) | Wood (55)

2.400 EUR	2.700 EUR
2.700 EUR	3.000 EUR
3.000 EUR	3.350 EUR

1.850 EUR	2.150 EUR
2.000 EUR	2.350 EUR
2.300 EUR	2.550 EUR

2.100 EUR	2.400 EUR
2.250 EUR	2.600 EUR
2.600 EUR	2.850 EUR

2.400 EUR	2.700 EUR
2.700 EUR	3.000 EUR
3.000 EUR	3.350 EUR

2.300 EUR	2.900 EUR
2.600 EUR	3.100 EUR
2.850 EUR	3.300 EUR

2.600 EUR	3.100 EUR
2.900 EUR	3.350 EUR
3.200 EUR	3.650 EUR

2.900 EUR	3.400 EUR
3.200 EUR	3.750 EUR
3.600 EUR	4.100 EUR

2.300 EUR	2.900 EUR
2.600 EUR	3.100 EUR
2.850 EUR	3.300 EUR

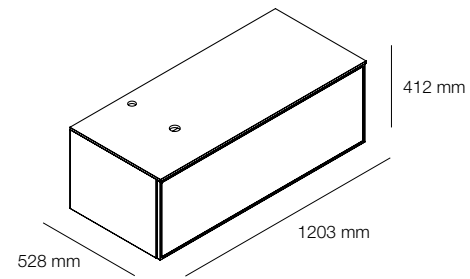
2.600 EUR	3.100 EUR
2.900 EUR	3.350 EUR
3.200 EUR	3.650 EUR

2.900 EUR	3.400 EUR
3.200 EUR	3.750 EUR
3.600 EUR	4.100 EUR

- Countertop: Quartz stone Snow (73) Neolith Retrostone Silk (75) Neolith New York Silk (74) Quartz stone Carrara (72) Mineral stone (71)
- Furniture finish: Matt lacquer: White (51) Turquoise grey (53) Quartz grey (52) Silk-grey (54) Wood: Real wood veneer, Oak brushed (55)

# Furniture module: Left basin position

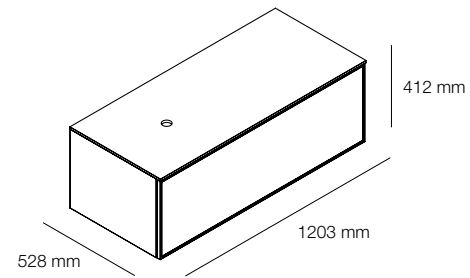
10



Furniture module, one drawer with Softclose, without bottle trap cut-out, with space-saving bottle trap, including countertop, one basin hole ø 45 mm, for left basin position, with one tap hole, centred behind basin, including fixing set

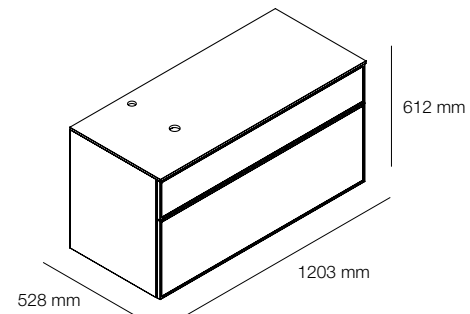
Width × Height    Item number

1203 × 412 mm    60 14 12 XX YY



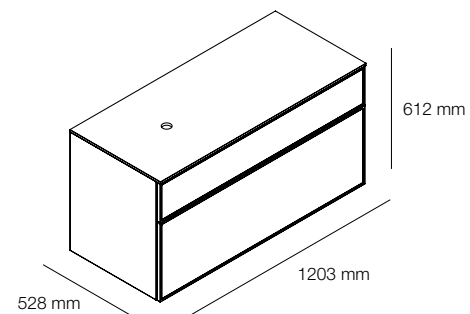
Furniture module, one drawer with Softclose, without bottle trap cut-out, with space-saving bottle trap, including countertop, one basin hole ø 45 mm, for left basin position, without tap hole, including fixing set

1203 × 412 mm    60 14 13 XX YY



Furniture module, two drawers, with Softclose, without bottle trap cut-out, with space-saving bottle trap, including countertop, one basin hole ø 45 mm, for left basin position, with one tap hole, centred behind basin, including fixing set

1203 × 612 mm    60 15 12 XX YY



Furniture module, two drawers, with Softclose, without bottle trap cut-out, with space-saving bottle trap, including countertop, one basin hole ø 45 mm, for left basin position, without tap hole, including fixing set

1203 × 612 mm    60 15 13 XX YY

Please specify when ordering: In addition to the 10-digit item number, composition-related information includes the unique assignment of the basin and also the handles, night light or internal dividers if they are required. Fitting and connection measurements from page 32. Prices in EUR / excl. VAT.

XX = Placeholder for countertop material number  
YY = Placeholder for colour & material number of the furniture finish  
Please complete item number according to order request

## Price group 1

Countertop material (XX)

Quartz stone Snow (73), Neolith New York Silk (74)

Furniture finish (YY)

Matt lacquer (51, 52, 53, 54) | Wood (55)

2.300 EUR    2.550 EUR

## Price group 2

Countertop material (XX)

Mineral stone (71), Neolith Retrostone Silk (75)

Furniture finish (YY)

Matt lacquer (51, 52, 53, 54) | Wood (55)

2.600 EUR    2.850 EUR

## Price group 3

Countertop material (XX)

Quartz stone Carrara (72)

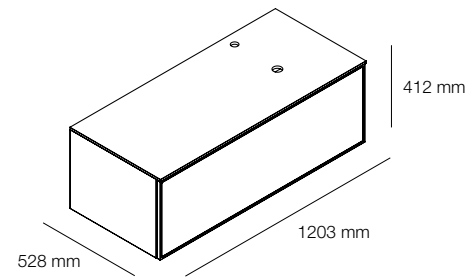
Furniture finish (YY)

Matt lacquer (51, 52, 53, 54) | Wood (55)

3.000 EUR    3.350 EUR

- |             |                            |                              |                   |               |                                    |                  |
|-------------|----------------------------|------------------------------|-------------------|---------------|------------------------------------|------------------|
| Countertop: | Quartz stone Snow (73)     | Neolith Retrostone Silk (75) | Furniture finish: | Matt lacquer: | White (51)                         | Quartz grey (52) |
|             | Neolith New York Silk (74) | Quartz stone Carrara (72)    |                   |               | Turquoise grey (53)                | Silk-grey (54)   |
|             | Mineral stone (71)         |                              | Wood:             |               | Real wood veneer, Oak brushed (55) |                  |

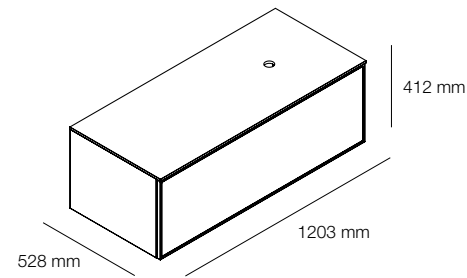
# Furniture module: Right basin position



Furniture module, one drawer with Softclose, without bottle trap cut-out, with space-saving bottle trap, including countertop, one basin hole ø 45 mm, for right basin position, with one tap hole, centred behind basin, including fixing set

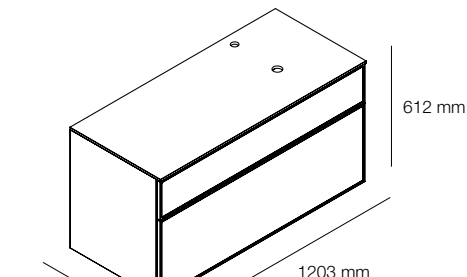
Width × Height    Item number

1203 × 412 mm    60 14 14 XX YY



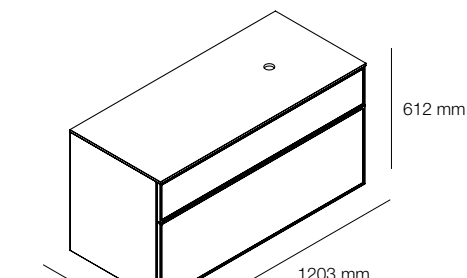
Furniture module, one drawer with Softclose, without bottle trap cut-out, with space-saving bottle trap, including countertop, one basin hole ø 45 mm, for right basin position, without tap hole, including fixing set

1203 × 412 mm    60 14 15 XX YY



Furniture module, two drawers, with Softclose, without bottle trap cut-out, with space-saving bottle trap, including countertop, one basin hole ø 45 mm, for right basin position, with one tap hole, centred behind basin, including fixing set

1203 × 612 mm    60 15 14 XX YY



Furniture module, two drawers, with Softclose, without bottle trap cut-out, with space-saving bottle trap, including countertop, one basin hole ø 45 mm, for right basin position, without tap hole, including fixing set

1203 × 612 mm    60 15 15 XX YY

Please specify when ordering: In addition to the 10-digit item number, composition-related information includes the unique assignment of the basin and also the handles, night light or internal dividers if they are required. Fitting and connection measurements from page 32. Prices in EUR / excl. VAT.

XX = Placeholder for countertop material number  
YY = Placeholder for colour & material number of the furniture finish  
Please complete item number according to order request

## Price group 1

Countertop material (XX)

Quartz stone Snow (73), Neolith New York Silk (74)

Furniture finish (YY)

Matt lacquer (51, 52, 53, 54) | Wood (55)

2.300 EUR    2.550 EUR

## Price group 2

Countertop material (XX)

Mineral stone (71), Neolith Retrostone Silk (75)

Furniture finish (YY)

Matt lacquer (51, 52, 53, 54) | Wood (55)

2.600 EUR    2.850 EUR

## Price group 3

Countertop material (XX)

Quartz stone Carrara (72)

Furniture finish (YY)

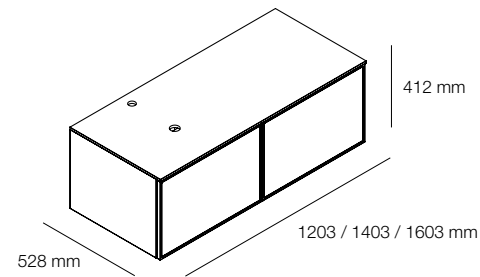
Matt lacquer (51, 52, 53, 54) | Wood (55)

3.000 EUR    3.350 EUR

- |             |                            |                              |                   |               |                                    |                  |
|-------------|----------------------------|------------------------------|-------------------|---------------|------------------------------------|------------------|
| Countertop: | Quartz stone Snow (73)     | Neolith Retrostone Silk (75) | Furniture finish: | Matt lacquer: | White (51)                         | Quartz grey (52) |
|             | Neolith New York Silk (74) | Quartz stone Carrara (72)    |                   |               | Turquoise grey (53)                | Silk-grey (54)   |
|             | Mineral stone (71)         |                              | Wood:             |               | Real wood veneer, Oak brushed (55) |                  |

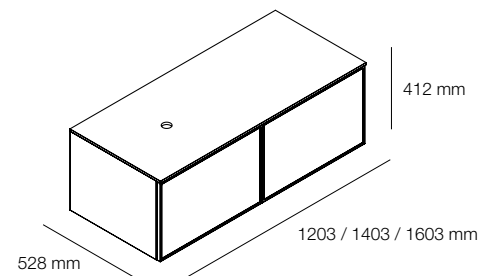


# Furniture module: Left basin position



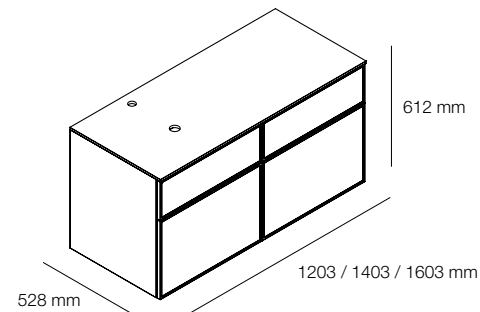
Furniture module, two drawers, with Softclose, without bottle trap cut-out, with space-saving bottle trap, including countertop, one basin hole ø 45 mm, for left basin position, with one tap hole, centred behind basin, including fixing set

Width × Height	Item number
1203 × 412 mm	60 16 12 XX YY
1403 × 412 mm	60 18 12 XX YY
1603 × 412 mm	60 20 12 XX YY



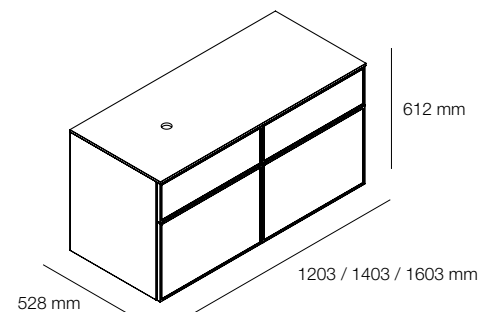
Furniture module, two drawers, with Softclose, without bottle trap cut-out, with space-saving bottle trap, including countertop, one basin hole ø 45 mm, for left basin position, without tap hole, including fixing set

1203 × 412 mm	60 16 13 XX YY
1403 × 412 mm	60 18 13 XX YY
1603 × 412 mm	60 20 13 XX YY



Furniture module, four drawers, with Softclose, without bottle trap cut-out, with space-saving bottle trap, including countertop, one basin hole ø 45 mm, for left basin position, with one tap hole, centred behind basin, including fixing set

1203 × 612 mm	60 17 12 XX YY
1403 × 612 mm	60 19 12 XX YY
1603 × 612 mm	60 21 12 XX YY



Furniture module, four drawers, with Softclose, without bottle trap cut-out, with space-saving bottle trap, including countertop, one basin hole ø 45 mm, for left basin position, without tap hole, including fixing set

1203 × 612 mm	60 17 13 XX YY
1403 × 612 mm	60 19 13 XX YY
1603 × 612 mm	60 21 13 XX YY

Please specify when ordering: In addition to the 10-digit item number, composition-related information includes the unique assignment of the basin and also the handles, night light or internal dividers if they are required. Fitting and connection measurements from page 32. Prices in EUR / excl. VAT.

XX = Placeholder for countertop material number  
 YY = Placeholder for colour & material number of the furniture finish  
 Please complete item number according to order request

## Price group 1

Countertop material (XX)  
 Quartz stone Snow (73), Neolith New York Silk (74)

Furniture finish (YY)  
 Matt lacquer (51, 52, 53, 54) | Wood (55)

2.650 EUR	2.950 EUR
2.850 EUR	3.300 EUR
3.000 EUR	3.500 EUR

## Price group 2

Countertop material (XX)  
 Mineral stone (71), Neolith Retrostone Silk (75)

Furniture finish (YY)  
 Matt lacquer (51, 52, 53, 54) | Wood (55)

3.000 EUR	3.300 EUR
3.250 EUR	3.650 EUR
3.500 EUR	4.000 EUR

## Price group 3

Countertop material (XX)  
 Quartz stone Carrara (72)

Furniture finish (YY)  
 Matt lacquer (51, 52, 53, 54) | Wood (55)

3.400 EUR	3.750 EUR
3.800 EUR	4.200 EUR
4.100 EUR	4.500 EUR

2.650 EUR	2.950 EUR
2.850 EUR	3.300 EUR
3.000 EUR	3.500 EUR

3.000 EUR	3.300 EUR
3.250 EUR	3.650 EUR
3.500 EUR	4.000 EUR

3.400 EUR	3.750 EUR
3.800 EUR	4.200 EUR
4.100 EUR	4.500 EUR

3.400 EUR	4.200 EUR
3.700 EUR	4.500 EUR
3.900 EUR	4.800 EUR

3.800 EUR	4.600 EUR
4.150 EUR	4.900 EUR
4.400 EUR	5.300 EUR

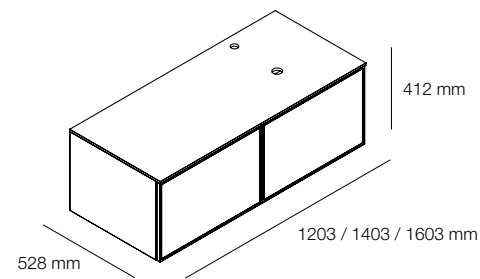
4.200 EUR	5.000 EUR
4.600 EUR	5.400 EUR
5.000 EUR	5.800 EUR

3.400 EUR	4.200 EUR
3.700 EUR	4.500 EUR
3.900 EUR	4.800 EUR

3.800 EUR	4.600 EUR
4.150 EUR	4.900 EUR
4.400 EUR	5.300 EUR

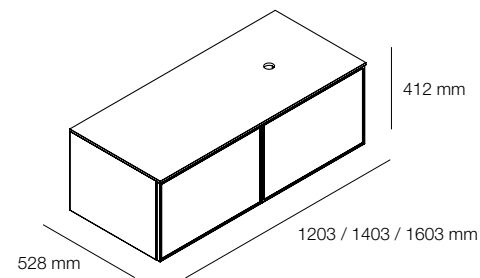
4.200 EUR	5.000 EUR
4.600 EUR	5.400 EUR
5.000 EUR	5.800 EUR

- Countertop: Quartz stone Snow (73), Neolith New York Silk (74), Neolith Retrostone Silk (75), Quartz stone Carrara (72), Mineral stone (71)
- Furniture finish: Matt lacquer: White (51), Turquoise grey (53), Quartz grey (52), Silk-grey (54); Wood: Real wood veneer, Oak brushed (55)



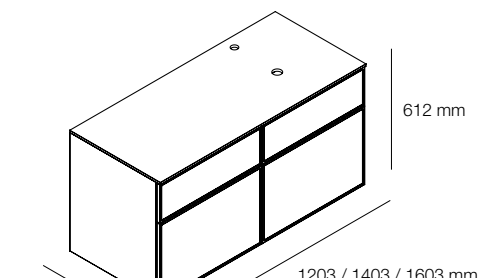
Furniture module, two drawers, with Softclose, without bottle trap cut-out, with space-saving bottle trap, including countertop, one basin hole ø 45 mm, for right basin position, with one tap hole, centred behind basin, including fixing set

Width × Height	Item number
1203 × 412 mm	60 16 14 XX YY
1403 × 412 mm	60 18 14 XX YY
1603 × 412 mm	60 20 14 XX YY



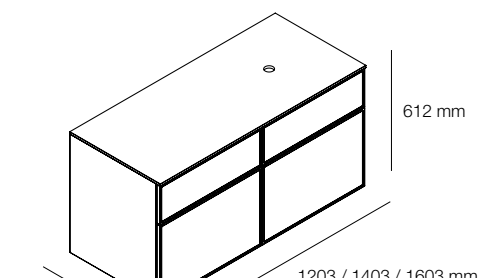
Furniture module, two drawers, with Softclose, without bottle trap cut-out, with space-saving bottle trap, including countertop, one basin hole ø 45 mm, for right basin position, without tap hole, including fixing set

1203 × 412 mm	60 16 15 XX YY
1403 × 412 mm	60 18 15 XX YY
1603 × 412 mm	60 20 15 XX YY



Furniture module, four drawers, with Softclose, without bottle trap cut-out, with space-saving bottle trap, including countertop, one basin hole ø 45 mm, for right basin position, with one tap hole, centred behind basin, including fixing set

1203 × 612 mm	60 17 14 XX YY
1403 × 612 mm	60 19 14 XX YY
1603 × 612 mm	60 21 14 XX YY



Furniture module, four drawers, with Softclose, without bottle trap cut-out, with space-saving bottle trap, including countertop, one basin hole ø 45 mm, for right basin position, without tap hole, including fixing set

1203 × 612 mm	60 17 15 XX YY
1403 × 612 mm	60 19 15 XX YY
1603 × 612 mm	60 21 15 XX YY

Please specify when ordering: In addition to the 10-digit item number, composition-related information includes the unique assignment of the basin and also the handles, night light or internal dividers if they are required. Fitting and connection measurements from page 32. Prices in EUR / excl. VAT.

XX = Placeholder for countertop material number  
 YY = Placeholder for colour & material number of the furniture finish  
 Please complete item number according to order request

Price group 1

Countertop material (XX)  
 Quartz stone Snow (73), Neolith New York Silk (74)

Furniture finish (YY)  
 Matt lacquer (51, 52, 53, 54) | Wood (55)

2.650 EUR	2.950 EUR
2.850 EUR	3.300 EUR
3.000 EUR	3.500 EUR

Price group 2

Countertop material (XX)  
 Mineral stone (71), Neolith Retrostone Silk (75)

Furniture finish (YY)  
 Matt lacquer (51, 52, 53, 54) | Wood (55)

3.000 EUR	3.300 EUR
3.250 EUR	3.650 EUR
3.500 EUR	4.000 EUR

Price group 3

Countertop material (XX)  
 Quartz stone Carrara (72)

Furniture finish (YY)  
 Matt lacquer (51, 52, 53, 54) | Wood (55)

3.400 EUR	3.750 EUR
3.800 EUR	4.200 EUR
4.100 EUR	4.500 EUR

2.650 EUR	2.950 EUR
2.850 EUR	3.300 EUR
3.000 EUR	3.500 EUR

3.000 EUR	3.300 EUR
3.250 EUR	3.650 EUR
3.500 EUR	4.000 EUR

3.400 EUR	3.750 EUR
3.800 EUR	4.200 EUR
4.100 EUR	4.500 EUR

3.400 EUR	4.200 EUR
3.700 EUR	4.500 EUR
3.900 EUR	4.800 EUR

3.800 EUR	4.600 EUR
4.150 EUR	4.900 EUR
4.400 EUR	5.300 EUR

4.200 EUR	5.000 EUR
4.600 EUR	5.400 EUR
5.000 EUR	5.800 EUR

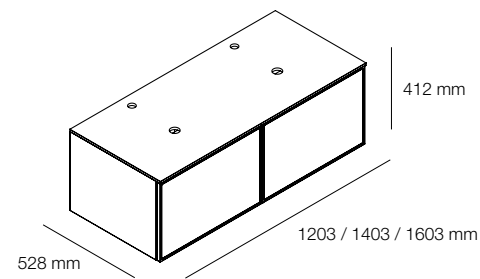
3.400 EUR	4.200 EUR
3.700 EUR	4.500 EUR
3.900 EUR	4.800 EUR

3.800 EUR	4.600 EUR
4.150 EUR	4.900 EUR
4.400 EUR	5.300 EUR

4.200 EUR	5.000 EUR
4.600 EUR	5.400 EUR
5.000 EUR	5.800 EUR

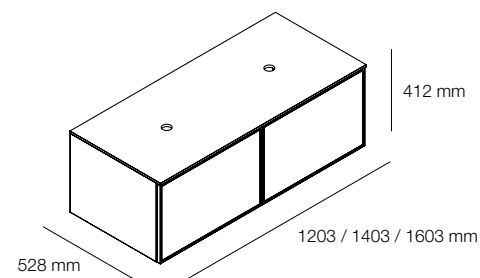
Countertop: Quartz stone Snow (73) Neolith Retrostone Silk (75) Quartz stone Carrara (72) Mineral stone (71)

Furniture finish: Matt lacquer: White (51) Turquoise grey (53) Quartz grey (52) Silk-grey (54) Wood: Real wood veneer, Oak brushed (55)



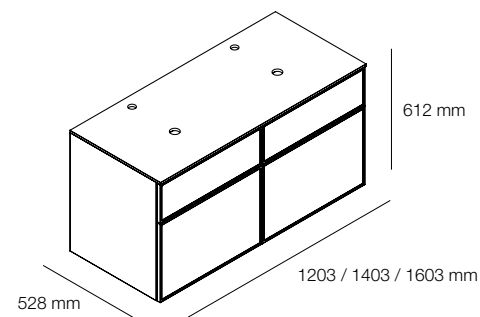
Furniture module, two drawers, with Softclose, without bottle trap cut-out, with space-saving bottle trap, including countertop, two basin drill holes ø 45 mm, for basin position on the left and right, with two tap holes, centred behind basin, including fixing set

Width × Height	Item number
1203 × 412 mm	60 16 16 XX YY
1403 × 412 mm	60 18 16 XX YY
1603 × 412 mm	60 20 16 XX YY



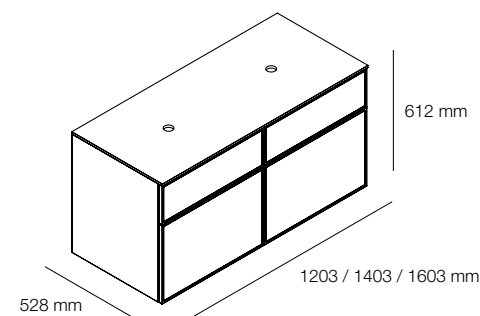
Furniture module, two drawers, with Softclose, without bottle trap cut-out, with space-saving bottle trap, including countertop, two basin drill holes ø 45 mm, for basin position on the left and right, without tap hole, including fixing set

1203 × 412 mm	60 16 17 XX YY
1403 × 412 mm	60 18 17 XX YY
1603 × 412 mm	60 20 17 XX YY



Furniture module, four drawers, with Softclose, without bottle trap cut-out, with space-saving bottle trap, including countertop, two basin drill holes ø 45 mm, for basin position on the left and right, with two tap holes, centred behind basin, including fixing set

1203 × 612 mm	60 17 16 XX YY
1403 × 612 mm	60 19 16 XX YY
1603 × 612 mm	60 21 16 XX YY



Furniture module, four drawers, with Softclose, without bottle trap cut-out, with space-saving bottle trap, including countertop, two basin drill holes ø 45 mm, for basin position on the left and right, without tap hole, including fixing set

1203 × 612 mm	60 17 17 XX YY
1403 × 612 mm	60 19 17 XX YY
1603 × 612 mm	60 21 17 XX YY

Please specify when ordering: In addition to the 10-digit item number, composition-related information includes the unique assignment of the basin and also the handles, night light or internal dividers if they are required. Fitting and connection measurements from page 32. Prices in EUR / excl. VAT.

XX = Placeholder for countertop material number  
YY = Placeholder for colour & material number of the furniture finish  
Please complete item number according to order request

Price group 1

Countertop material (XX)	
Quartz stone Snow (73), Neolith New York Silk (74)	
Furniture finish (YY)	
Matt lacquer (51, 52, 53, 54)	Wood (55)
2.650 EUR	2.950 EUR
2.850 EUR	3.300 EUR
3.000 EUR	3.500 EUR

2.650 EUR	2.950 EUR
2.850 EUR	3.300 EUR
3.000 EUR	3.500 EUR

3.400 EUR	4.200 EUR
3.700 EUR	4.500 EUR
3.900 EUR	4.800 EUR

3.400 EUR	4.200 EUR
3.700 EUR	4.500 EUR
3.900 EUR	4.800 EUR

Price group 2

Countertop material (XX)	
Mineral stone (71), Neolith Retrostone Silk (75)	
Furniture finish (YY)	
Matt lacquer (51, 52, 53, 54)	Wood (55)
3.000 EUR	3.300 EUR
3.250 EUR	3.650 EUR
3.500 EUR	4.000 EUR

3.000 EUR	3.300 EUR
3.250 EUR	3.650 EUR
3.500 EUR	4.000 EUR

3.800 EUR	4.600 EUR
4.150 EUR	4.900 EUR
4.400 EUR	5.300 EUR

3.800 EUR	4.600 EUR
4.150 EUR	4.900 EUR
4.400 EUR	5.300 EUR

Price group 3

Countertop material (XX)	
Quartz stone Carrara (72)	
Furniture finish (YY)	
Matt lacquer (51, 52, 53, 54)	Wood (55)
3.400 EUR	3.750 EUR
3.800 EUR	4.200 EUR
4.100 EUR	4.500 EUR

3.400 EUR	3.750 EUR
3.800 EUR	4.200 EUR
4.100 EUR	4.500 EUR

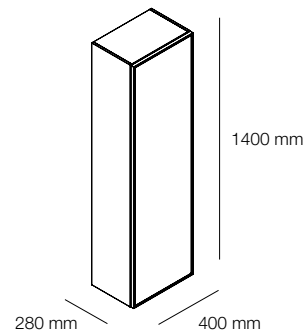
4.200 EUR	5.000 EUR
4.600 EUR	5.400 EUR
5.000 EUR	5.800 EUR

4.200 EUR	5.000 EUR
4.600 EUR	5.400 EUR
5.000 EUR	5.800 EUR

Countertop: Quartz stone Snow (73) Neolith Retrostone Silk (75) Quartz stone Carrara (72) Mineral stone (71)

Furniture finish: Matt lacquer: White (51) Turquoise grey (53) Quartz grey (52) Silk-grey (54)

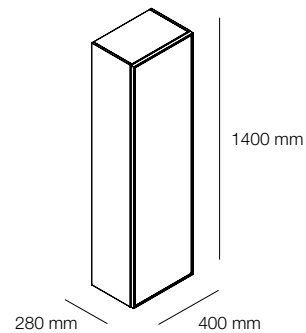
Wood: Real wood veneer, Oak brushed (55)



Door hinge on the right

Tall cabinet, rectangular, (W / H / D) 400 / 1400 / 280 mm, one door, no handle, with Tip-On mechanism, door hinge on the right, 500 mm width when door is open (opening angle 110°), 3 fixed wooden shelves with surface matching exterior colour, including fixing set

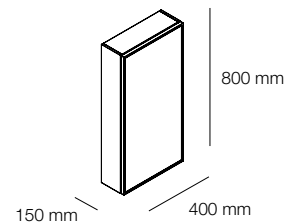
Item number	Price
60 01 69 00 51	1.275 EUR
60 01 69 00 52	1.275 EUR
60 01 69 00 53	1.275 EUR
60 01 69 00 54	1.275 EUR
60 01 69 00 55	1.775 EUR



Door hinge on the left

Tall cabinet, rectangular, (W / H / D) 400 / 1400 / 280 mm, one door, no handle, with Tip-On mechanism, door hinge on the left, 500 mm width when door is open (opening angle 110°), 3 fixed wooden shelves with surface matching exterior colour, including fixing set

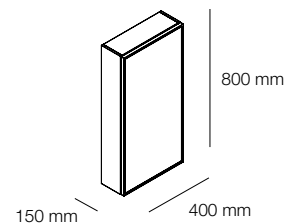
60 01 99 00 51	1.275 EUR
60 01 99 00 52	1.275 EUR
60 01 99 00 53	1.275 EUR
60 01 99 00 54	1.275 EUR
60 01 99 00 55	1.775 EUR



Door hinge on the right

Mid-height cabinet, rectangular, (W / H / D) 400 / 800 / 150 mm, one door, no handle, with Tip-On mechanism, door hinge on the right, 500 mm width when door is open (opening angle 110°), 2 fixed wooden shelves with surface matching exterior colour, including fixing set

60 02 69 00 51	750 EUR
60 02 69 00 52	750 EUR
60 02 69 00 53	750 EUR
60 02 69 00 54	750 EUR
60 02 69 00 55	1.200 EUR

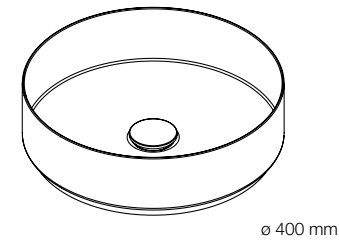


Door hinge on the left

Mid-height cabinet, rectangular, (W / H / D) 400 / 800 / 150 mm, one door, no handle, with Tip-On mechanism, door hinge on the left, 500 mm width when door is open (opening angle 110°), 2 fixed wooden shelves with surface matching exterior colour, including fixing set

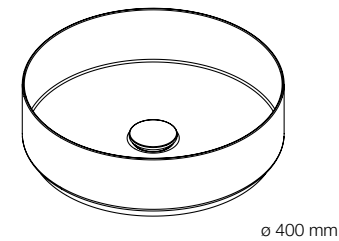
60 02 99 00 51	750 EUR
60 02 99 00 52	750 EUR
60 02 99 00 53	750 EUR
60 02 99 00 54	750 EUR
60 02 99 00 55	1.200 EUR

Furniture finish:	Matt lacquer:	White (51)	Quartz grey (52)
		Turquoise grey (53)	Silk-grey (54)
Wood:		Real wood veneer, Oak brushed (55)	



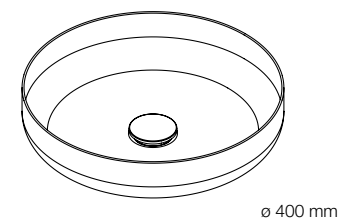
Sit-on basin, round, Ø 400 mm, height 116 mm, glazed steel, white, without tap hole, without overflow, included fixing set, drain valve, valve cap, white glazed, white spacer ring

Item number	Price
60 04 50 20 00	665 EUR



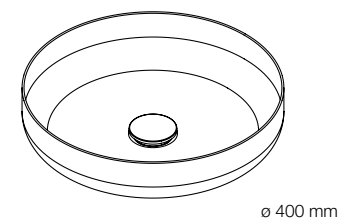
Sit-on basin, round, Ø 400 mm, height 116 mm, glazed steel, without tap hole, without overflow, included fixing set, drain valve, valve cap, glazed in the basin colour, black spacer ring

60 04 50 21 54	755 EUR
60 04 50 22 40	755 EUR



Sit-on basin, round, Ø 400 mm, height 102 mm, glazed steel, white, without tap hole, without overflow, included fixing set, drain valve, valve cap, white glazed, white spacer ring

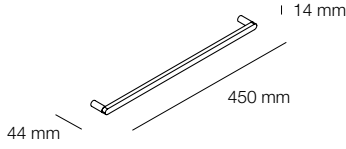
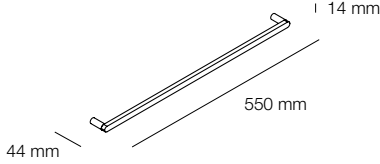
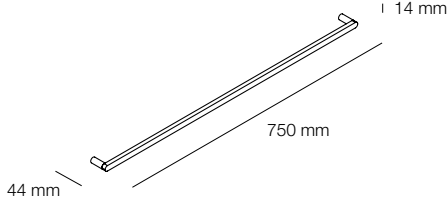
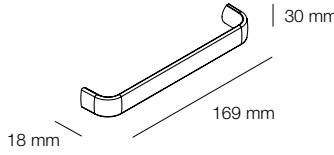
60 04 50 10 00	586 EUR
----------------	---------

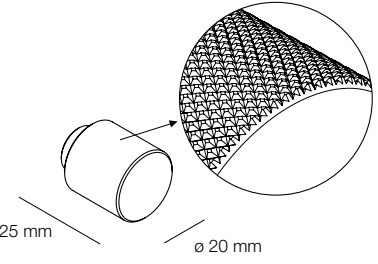
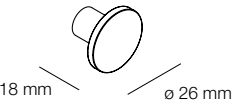
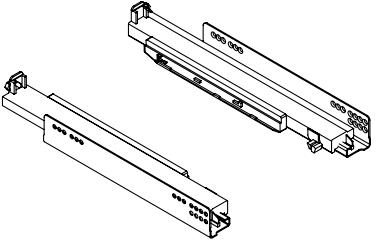


Sit-on basin, round, Ø 400 mm, height 102 mm, glazed steel, without tap hole, without overflow, included fixing set, drain valve, valve cap, glazed in the basin colour, black spacer ring

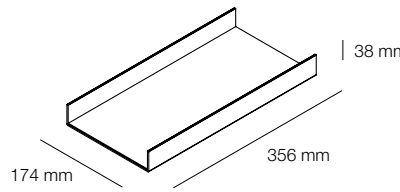
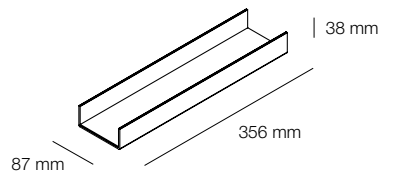
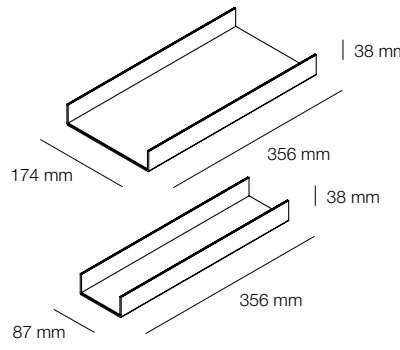
60 04 50 11 54	719 EUR
60 04 50 12 40	719 EUR

Basin finishes:	White glossy (000)
	Matt grey (154)
	Matt black (240)

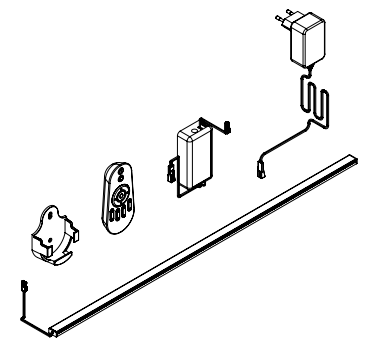
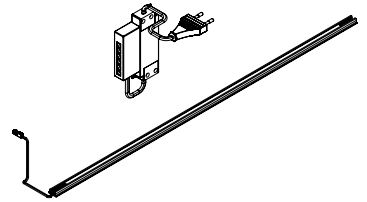
	Item number	Price
 <p>Furniture handle, rectangular 450 mm</p> <p>Furniture handle, rectangular, (W / H / D) 450 / 14 / 44 mm, matt black surface, powder-coated, including M4 fixing screws, suitable for Arkta furniture modules.</p> <p>Suitable for 800 mm furniture module as well as 1200, 1400 and 1600 mm modules with two drawers. One handle per drawer. Furniture front is supplied pre-drilled for easy fitting.</p>	<ul style="list-style-type: none"> <li><span style="display: inline-block; width: 10px; height: 10px; background-color: black; border-radius: 50%; margin-right: 5px;"></span> 60 03 20 59 80</li> </ul>	35 EUR
 <p>Furniture handle, rectangular 550 mm</p> <p>Furniture handle, rectangular, (W / H / D) 550 / 14 / 44 mm, matt black surface, powder-coated, including M4 fixing screws, suitable for Arkta furniture modules.</p> <p>Suitable for 1000 mm furniture module. One handle per drawer. Furniture front is supplied pre-drilled for easy fitting.</p>	<ul style="list-style-type: none"> <li><span style="display: inline-block; width: 10px; height: 10px; background-color: black; border-radius: 50%; margin-right: 5px;"></span> 60 03 20 69 80</li> </ul>	35 EUR
 <p>Furniture handle, rectangular 750 mm</p> <p>Furniture handle, rectangular, (W / H / D) 750 / 14 / 44 mm, matt black surface, powder-coated, including M4 fixing screws, suitable for Arkta furniture modules.</p> <p>Suitable for 1200 mm furniture module with continuous drawer. One handle per drawer. Furniture front is supplied pre-drilled for easy fitting.</p>	<ul style="list-style-type: none"> <li><span style="display: inline-block; width: 10px; height: 10px; background-color: black; border-radius: 50%; margin-right: 5px;"></span> 60 03 20 79 80</li> </ul>	35 EUR
 <p>Furniture handle, rectangular 169 mm</p> <p>Furniture handle, rectangular, (W / H / D) 169 / 18 / 30 mm, including M4 fixing screws, suitable for Arkta furniture modules</p> <p>One handle per drawer. Two handles are necessary for 1200 mm module width with continuous drawer. Furniture front is supplied pre-drilled for easy fitting.</p>	<ul style="list-style-type: none"> <li><span style="display: inline-block; width: 10px; height: 10px; background-color: gray; border-radius: 50%; margin-right: 5px;"></span> 60 03 20 49 22</li> <li><span style="display: inline-block; width: 10px; height: 10px; background-color: #808000; border-radius: 50%; margin-right: 5px;"></span> 60 03 20 43 38</li> <li><span style="display: inline-block; width: 10px; height: 10px; background-color: black; border-radius: 50%; margin-right: 5px;"></span> 60 03 20 49 80</li> </ul>	<p>35 EUR</p> <p>35 EUR</p> <p>35 EUR</p>


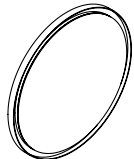
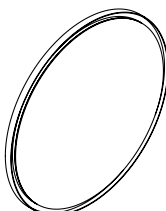
	Item number	Price
 <p>Furniture handle, round, Ø 20 mm</p> <p>Furniture handle, round, Ø 20 mm, height 25 mm, textured surface, including M4 fixing screw, suitable for Arkta furniture modules</p> <p>One handle per drawer. Two handles are necessary for 1200 mm width modules with a continuous drawer. Furniture front is supplied pre-drilled for easy fitting.</p>	<ul style="list-style-type: none"> <li><span style="display: inline-block; width: 10px; height: 10px; background-color: gray; border-radius: 50%; margin-right: 5px;"></span> 60 03 10 29 22</li> <li><span style="display: inline-block; width: 10px; height: 10px; background-color: #808000; border-radius: 50%; margin-right: 5px;"></span> 60 03 10 23 36</li> <li><span style="display: inline-block; width: 10px; height: 10px; background-color: black; border-radius: 50%; margin-right: 5px;"></span> 60 03 10 29 80</li> </ul>	<p>25 EUR</p> <p>25 EUR</p> <p>25 EUR</p>
 <p>Furniture handle, round, Ø 26 mm</p> <p>Furniture handle, round, Ø 26 mm, height 18 mm, including M4 fixing screw, suitable for Arkta furniture modules</p> <p>One handle per drawer. Two handles are necessary for 1200 mm width modules with a continuous drawer. Furniture front is supplied pre-drilled for easy fitting.</p>	<ul style="list-style-type: none"> <li><span style="display: inline-block; width: 10px; height: 10px; background-color: gray; border-radius: 50%; margin-right: 5px;"></span> 60 03 10 39 22</li> <li><span style="display: inline-block; width: 10px; height: 10px; background-color: #808000; border-radius: 50%; margin-right: 5px;"></span> 60 03 10 33 36</li> <li><span style="display: inline-block; width: 10px; height: 10px; background-color: black; border-radius: 50%; margin-right: 5px;"></span> 60 03 10 39 80</li> </ul>	<p>25 EUR</p> <p>25 EUR</p> <p>25 EUR</p>
<h2>Tip-On with Softclose</h2>  <p>Drawer system for Arkta furniture modules, Tip-On and Softclose in one, 2 pieces, quantity sufficient for one drawer, supplied ready-fitted</p>	<ul style="list-style-type: none"> <li>60 03 00 10 00</li> </ul>	80 EUR

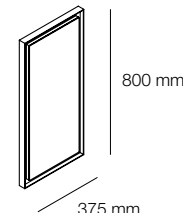
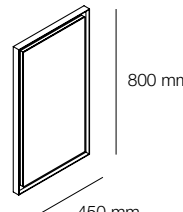
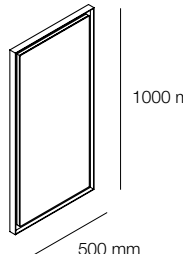
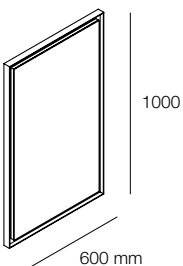
- Finishes:
- Stainless steel (922)
  - Brushed brass (336)
  - Matt black (980)
  - Matt brass (338)

	Item number	Price
 <p>Drawer divider for Arkta furniture modules, rectangular, (W / H / D) 174 / 38 / 356 mm, aluminium, powder-coated, matt black, with felt insert</p>	● 60 05 00 36 68	50 EUR
 <p>Drawer divider for Arkta furniture modules, rectangular, (W / H / D) 87 / 38 / 356 mm, aluminium, powder-coated, matt black, with felt insert</p>	● 60 05 00 26 68	35 EUR
 <p>Drawer divider for Arkta furniture modules, rectangular, (W / H / D) 261 / 38 / 356 mm, 2-part set, aluminium, powder-coated, matt black, with felt insert</p>	● 60 05 00 16 68	80 EUR

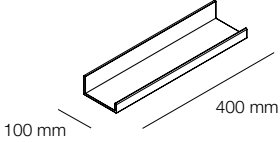
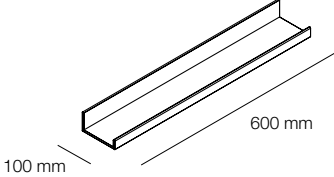
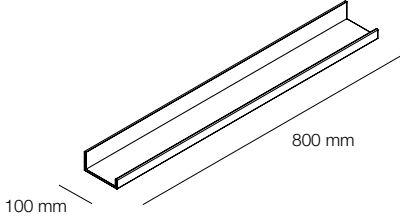
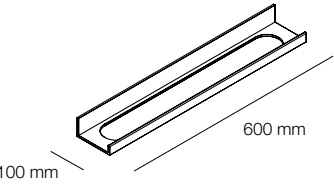
Finish of drawer dividers: ● Matt black (668)

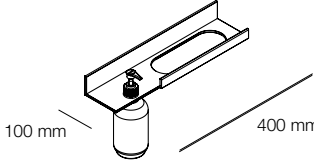
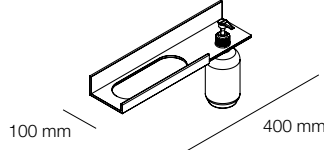
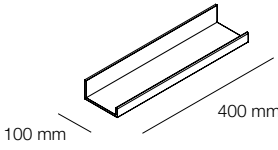

	Item number	Price
 <p>Night light with remote control</p> <p>Night light for Arkta furniture modules, LED strip, supplied ready-fitted in underside of carcass, 4.5 / 5.7 / 6.9 / 8.1 / 9.3 watts, luminous colour 4,000 Kelvin, dimmable, including 230 V LED transformer, remote control, wall bracket and assembly clips for wiring inside the cabinet, protection class IP20, Energy efficiency class E</p> <p>Furniture 800 mm (4.5 watts) – No. 6005 012 790                      Furniture 1000 mm (5.7 watts) – No. 6005 014 790                      Furniture 1200 mm (6.9 watts) – No. 6005 016 790                      Furniture 1400 mm (8.1 watts) – No. 6005 018 790                      Furniture 1600 mm (9.3 watts) – No. 6005 020 790</p>	6005 012 790 6005 014 790 6005 016 790 6005 018 790 6005 020 790	115 EUR 120 EUR 120 EUR 130 EUR 130 EUR
 <p>Night light for smart home</p> <p>Night light for Arkta furniture modules, LED strip, supplied ready-fitted in underside of carcass, 4.5 / 5.7 / 6.9 / 8.1 / 9.3 watts, luminous colour 4,000 Kelvin, dimmable, including LED transformer 230 V with Zigbee controller for digital switching and dimming, including assembly clips for wiring in the cabinet, protection class IP20, Energy efficiency class G. SmartHome-compatible, i.e. night light can be connected to all hubs that use Zigbee as transmission standard (e.g. suitable Amazon Echo models).</p> <p>Furniture 800 mm (4.5 watts) – No. 6005 013 790                      Furniture 1000 mm (5.7 watts) – No. 6005 015 790                      Furniture 1200 mm (6.9 watts) – No. 6005 017 790                      Furniture 1400 mm (8.1 watts) – No. 6005 019 790                      Furniture 1600 mm (9.3 watts) – No. 6005 021 790</p>	6005 013 790 6005 015 790 6005 017 790 6005 019 790 6005 021 790	175 EUR 190 EUR 190 EUR 200 EUR 200 EUR

	Item number	Price
 <p>SP.FR600.R1</p> <p>Design mirror, round, (W / H / D) 600 / 600 / 40 mm, aluminium, Powder coated, indirect LED light, dimmable, 9.3 watts, luminous colour: 4,000 Kelvin, included fixing set, LED converter, touch switch and auxiliary function, without dowels (to be adjusted on site)</p> <p>Energy efficiency class E / IP44 / Protection class 1</p> <p>ø 600 mm</p>	<p>● 6744 001 899 1.179 EUR</p> <p>○ 6744 001 331 1.179 EUR</p>	
 <p>SP.FR750.R1</p> <p>Design mirror, round, (W / H / D) 750 / 750 / 40 mm, aluminium, Powder coated, indirect LED light, dimmable, 12.3 watts, luminous colour: 4,000 Kelvin, included fixing set, LED converter, touch switch and auxiliary function, without dowels (to be adjusted on site)</p> <p>Energy efficiency class E / IP44 / Protection class 1</p> <p>ø 750 mm</p>	<p>● 6745 001 899 1.322 EUR</p> <p>○ 6745 001 331 1.322 EUR</p>	
 <p>SP.FR1000.R1</p> <p>Design mirror, round, (W / H / D) 1000 / 1000 / 40 mm, aluminium, Powder coated, indirect LED light, dimmable, 15 watts, luminous colour: 4,000 Kelvin, included fixing set, LED converter, touch switch and auxiliary function, without dowels (to be adjusted on site)</p> <p>Energy efficiency class E / IP44 / Protection class 1</p> <p>ø 1000 mm</p>	<p>● 6746 001 899 1.452 EUR</p> <p>○ 6746 001 331 1.452 EUR</p>	

	Item number	Price
 <p>SP.FR375.S1</p> <p>Design mirror, rectangular, (W / H / D) 375 / 800 / 40 mm, aluminium, Powder coated, indirect LED light, dimmable, 11.7 watts, luminous colour: 4,000 Kelvin, included fixing set, LED converter, touch switch and auxiliary function, without dowels (to be adjusted on site)</p> <p>Energy efficiency class E / IP44 / Protection class 1</p> <p>800 mm</p> <p>375 mm</p>	<p>● 6740 001 899 958 EUR</p> <p>○ 6740 001 331 958 EUR</p>	
 <p>SP.FR450.S1</p> <p>Design mirror, rectangular, (W / H / D) 450 / 800 / 40 mm, aluminium, Powder coated, indirect LED light, dimmable, 12.6 watts, luminous colour: 4,000 Kelvin, included fixing set, LED converter, touch switch and auxiliary function, without dowels (to be adjusted on site)</p> <p>Energy efficiency class E / IP44 / Protection class 1</p> <p>800 mm</p> <p>450 mm</p>	<p>● 6741 001 899 1.140 EUR</p> <p>○ 6741 001 331 1.140 EUR</p>	
 <p>SP.FR500.S1</p> <p>Design mirror, rectangular, (W / H / D) 500 / 1000 / 40 mm, aluminium, Powder coated, indirect LED light, dimmable, 14 watts, luminous colour: 4,000 Kelvin, included fixing set, LED converter, touch switch and auxiliary function, without dowels (to be adjusted on site)</p> <p>Energy efficiency class E / IP44 / Protection class 1</p> <p>1000 mm</p> <p>500 mm</p>	<p>● 6742 001 899 1.187 EUR</p> <p>○ 6742 001 331 1.187 EUR</p>	
 <p>SP.FR600.S1</p> <p>Design mirror, rectangular, (W / H / D) 600 / 1000 / 40 mm, aluminium, Powder coated, indirect LED light, dimmable, 15 watts, luminous colour: 4,000 Kelvin, included fixing set, LED converter, touch switch and auxiliary function, without dowels (to be adjusted on site)</p> <p>Energy efficiency class E / IP44 / Protection class 1</p> <p>1000 mm</p> <p>600 mm</p>	<p>● 6743 001 899 1.303 EUR</p> <p>○ 6743 001 331 1.303 EUR</p>	

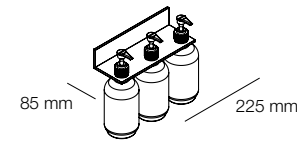
Design mirror finishes: ● Matt black (899) ○ Matt white (331)

		Item number	Price
	<p>AS.400.S</p> <p>Shelf, rectangular, (W / H / D) 400 / 50 / 100 mm, aluminium, Powder coated, without cutouts, included fixing set, without dowels (to be adjusted on site)</p>	<p>● 8270 000 980 194 EUR</p> <p>○ 8270 000 331 194 EUR</p>	
	<p>AS.600.S</p> <p>Shelf, rectangular, (W / H / D) 600 / 50 / 100 mm, aluminium, Powder coated, without cutouts, included fixing set, without dowels (to be adjusted on site)</p>	<p>● 8271 000 980 225 EUR</p> <p>○ 8271 000 331 225 EUR</p>	
	<p>AS.800.S</p> <p>Shelf, rectangular, (W / H / D) 800 / 50 / 100 mm, aluminium, Powder coated, without cutouts, included fixing set, without dowels (to be adjusted on site)</p>	<p>● 8272 000 980 256 EUR</p> <p>○ 8272 000 331 256 EUR</p>	
	<p>AS.600.HT</p> <p>Shelf, rectangular, (W / H / D) 600 / 50 / 100 mm, aluminium, Powder coated, towel cutout central, included fixing set, without dowels (to be adjusted on site)</p>	<p>● 8271 140 980 256 EUR</p> <p>○ 8271 140 331 256 EUR</p>	

		Item number	Price
	<p>AS.400.HT.R</p> <p>Shelf, rectangular, (W / H / D) 400 / 196 / 111 mm, aluminium, Powder coated, lotion dispenser cutout left, towel cutout right, included fixing set, plastic bottle, without dowels (to be adjusted on site)</p>	<p>● 8270 321 980 256 EUR</p> <p>○ 8270 321 331 256 EUR</p>	
	<p>AS.400.HT.L</p> <p>Shelf, rectangular, (W / H / D) 400 / 196 / 111 mm, aluminium, Powder coated, lotion dispenser cutout right, towel cutout left, included fixing set, plastic bottle, without dowels (to be adjusted on site)</p>	<p>● 8270 221 980 256 EUR</p> <p>○ 8270 221 331 256 EUR</p>	
	<p>AS.400.S</p> <p>Shower shelf, rectangular, (W / H / D) 400 / 50 / 100 mm, aluminium, Powder coated, without cutouts, included fixing set, without dowels (to be adjusted on site)</p>	<p>● 8270 000 981 212 EUR</p> <p>○ 8270 000 982 212 EUR</p>	
	<p>AS.134.LO2</p> <p>Shower shelf, rectangular, (W / H / D) 134 / 50 / 85 mm, aluminium, Powder coated, two lotion dispenser cutouts, included fixing set, two plastic bottles, without dowels (to be adjusted on site)</p>	<p>● 8274 111 981 194 EUR</p> <p>○ 8274 111 982 194 EUR</p>	

Shelf surfaces: ● Matt black (980 / 981) ○ Matt white (331 / 982)

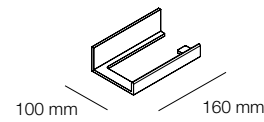




AS.225.LO3

Shower shelf, rectangular, (W / H / D) 225 / 50 / 85 mm, aluminium, Powder coated, three lotion dispenser cutouts, included fixing set, three plastic bottles, without dowels (to be adjusted on site)

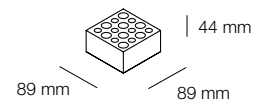
	Item number	Price
●	8274 112 981	206 EUR
○	8274 112 982	206 EUR



AS.160.TPH

Toiletry, rectangular, (W / H / D) 160 / 50 / 100 mm, aluminium, Powder coated, included fixing set, without dowels (to be adjusted on site)

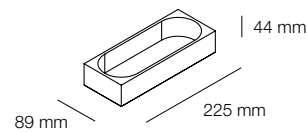
●	8274 170 981	206 EUR
○	8274 170 982	206 EUR



AS.Box1

Perforated block, rectangular, (W / H / D) 89 / 44 / 89 mm, american walnut, Oiled, with 16 drill holes, 12 and 17 mm diameter

●	8266 000 671	57 EUR
---	--------------	--------



AS.Box2

Box, rectangular, (W / H / D) 225 / 44 / 89 mm, american walnut, Oiled, with oval cutout, approx. width: 215 mm

●	8267 000 671	94 EUR
---	--------------	--------

Shelf finishes:  
 ● Matt black (981)  
 ○ Matt white (982)  
 ● American walnut (671)

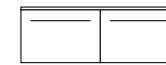
Furniture handle, rectangular 450 / 550 / 750 mm



1 x 450 mm  
Width: 800 mm  
Height: 400 mm



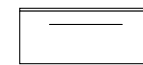
2 x 450 mm  
Width: 800 mm  
Height: 600 mm



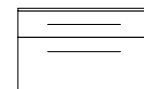
2 x 450 mm  
Width: 1200 / 1400 / 1600 mm  
Height: 400 mm



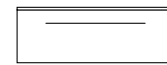
4 x 450 mm  
Width: 1200 / 1400 / 1600 mm  
Height: 600 mm



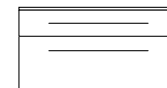
1 x 550 mm  
Width: 1000 mm  
Height: 400 mm



2 x 550 mm  
Width: 1000 mm  
Height: 600 mm



1 x 750 mm  
Width: 1200 mm  
Height: 400 mm

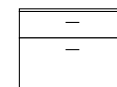


2 x 750 mm  
Width: 1200 mm  
Height: 600 mm

Furniture handle, rectangular 169 mm



1 x  
Width: 800 / 1000 mm  
Height: 400 mm



2 x  
Width: 800 / 1000 mm  
Height: 600 mm



2 x  
Width: 1200 / 1400 / 1600 mm  
Height: 400 mm



4 x  
Width: 1200 / 1400 / 1600 mm  
Height: 600 mm

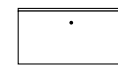


2 x  
Width: 1200 mm  
Height: 400 mm

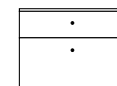


4 x  
Width: 1200 mm  
Height: 600 mm

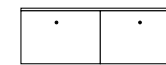
Furniture handle, round 20 / 26 mm



1 x  
Width: 800 / 1000 mm  
Height: 400 mm



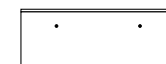
2 x  
Width: 800 / 1000 mm  
Height: 600 mm



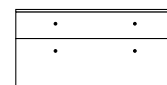
2 x  
Width: 1200 / 1400 / 1600 mm  
Height: 400 mm



4 x  
Width: 1200 / 1400 / 1600 mm  
Height: 600 mm



2 x  
Width: 1200 mm  
Height: 400 mm

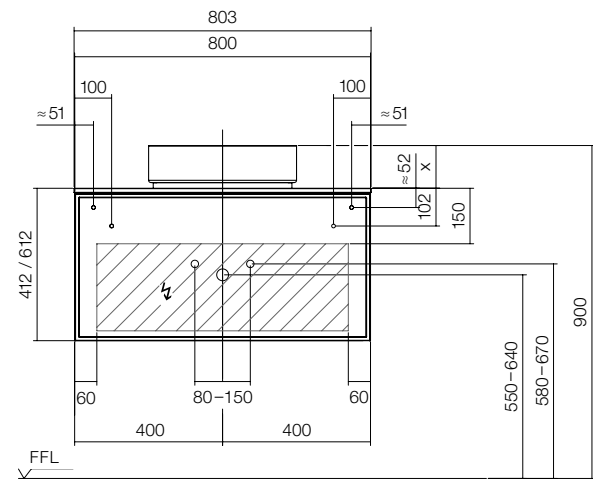


4 x  
Width: 1200 mm  
Height: 600 mm

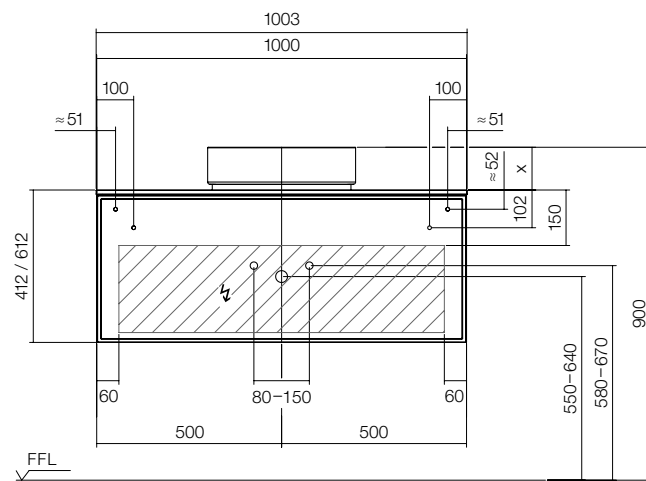
# Mounting and Connection Measurements

## Furniture module

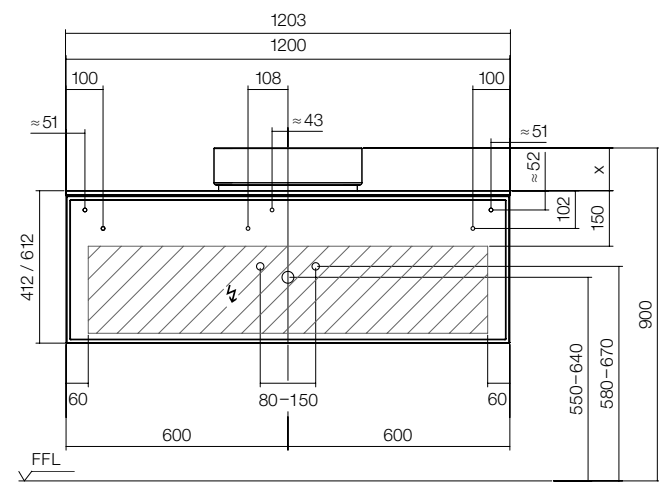
Width 800 mm / Centred basin position for furniture heights 400 and 600 mm



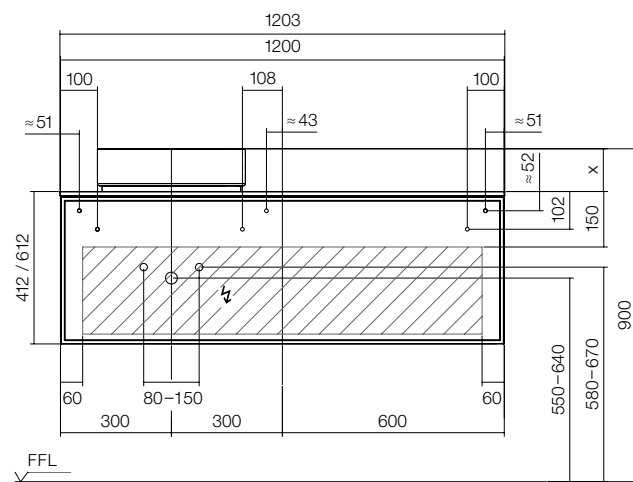
Width 1000 mm / Centred basin position for furniture heights 400 and 600 mm



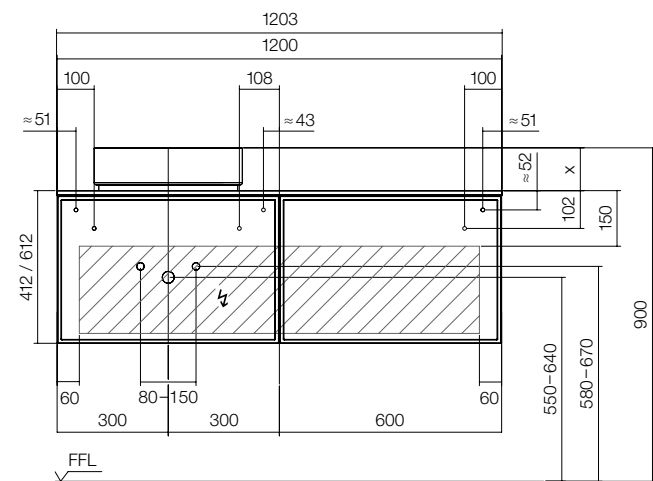
Width 1200 mm / Centred basin position for furniture heights 400 and 600 mm



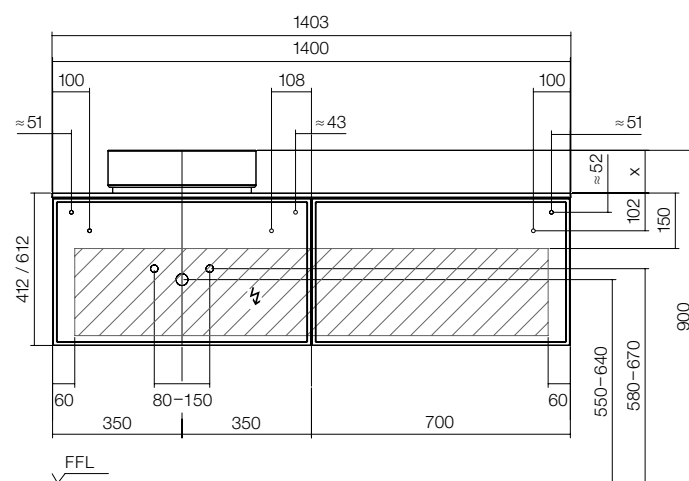
Width 1200 mm / Left basin position for furniture heights 400 and 600 mm



Width 1200 mm / Left basin position for furniture heights 400 and 600 mm



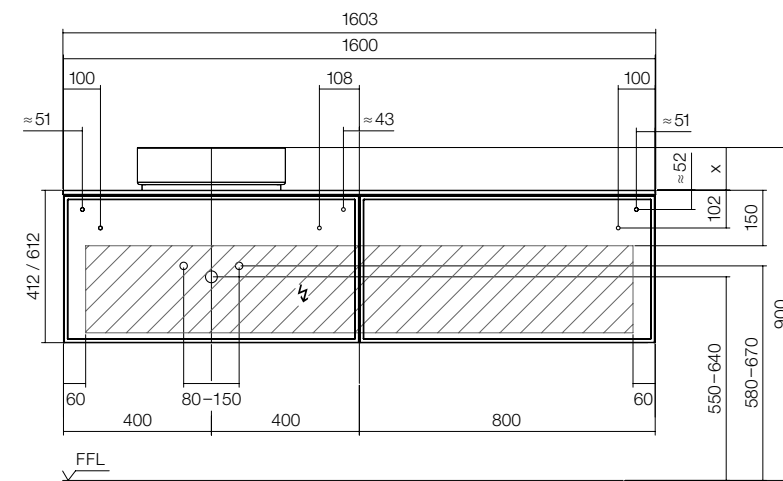
Width 1400 mm / Left basin position for furniture heights 400 and 600 mm



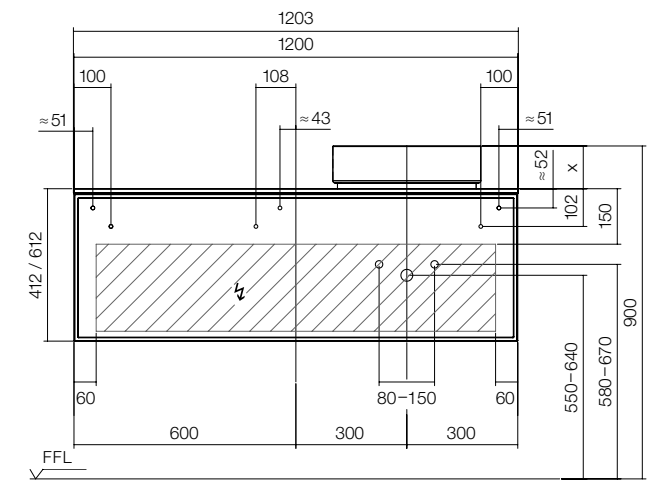
# Mounting and Connection Measurements

## Furniture module

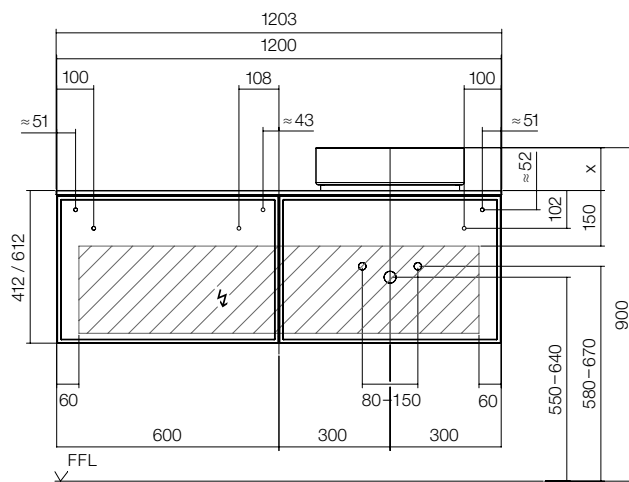
Width 1600 mm / Left basin position for furniture heights 400 and 600 mm



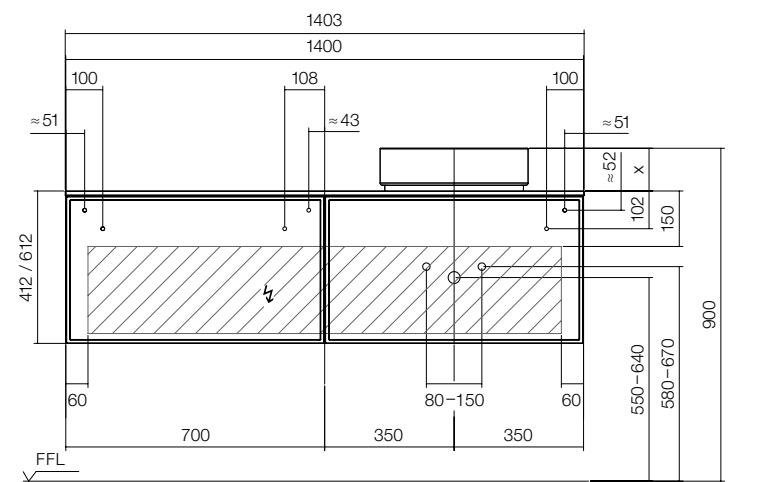
Width 1200 mm / Right basin position for furniture heights 400 and 600 mm



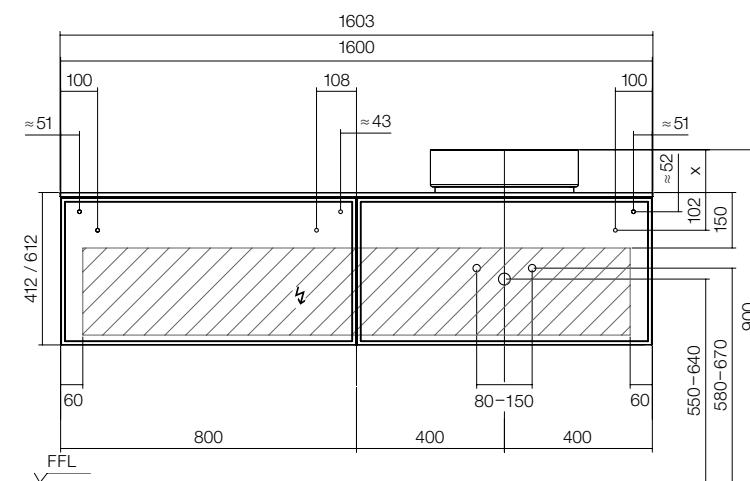
Width 1200 mm / Right basin position for furniture heights 400 and 600 mm



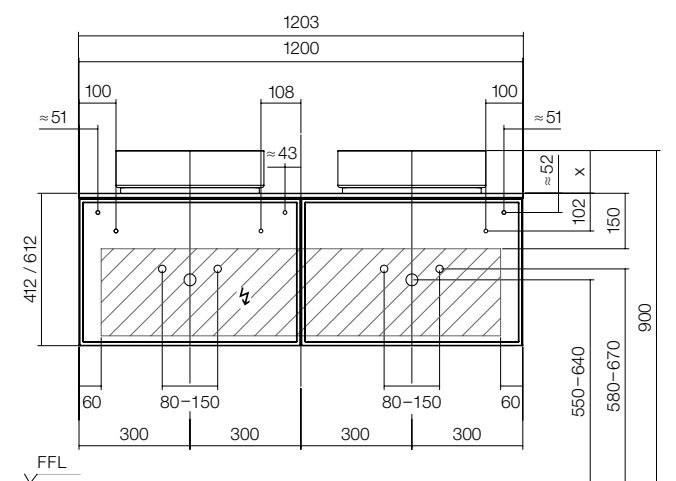
Width 1400 mm / Right basin position for furniture heights 400 and 600 mm



Width 1600 mm / Right basin position for furniture heights 400 and 600 mm



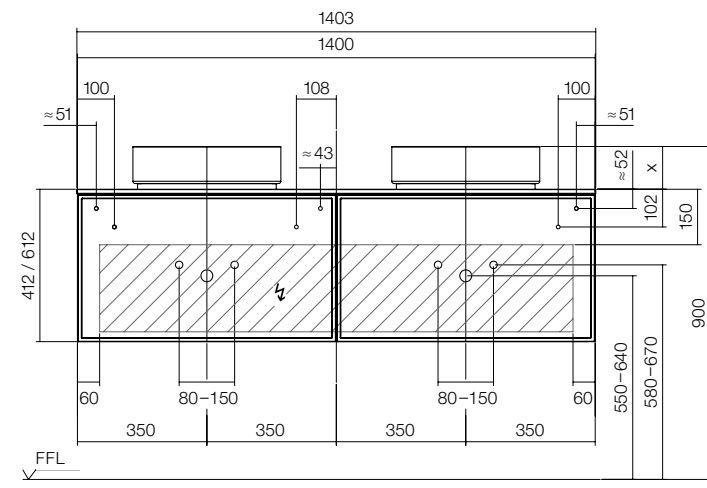
Width 1200 mm / Left and right basin position for furniture heights 400 and 600 mm



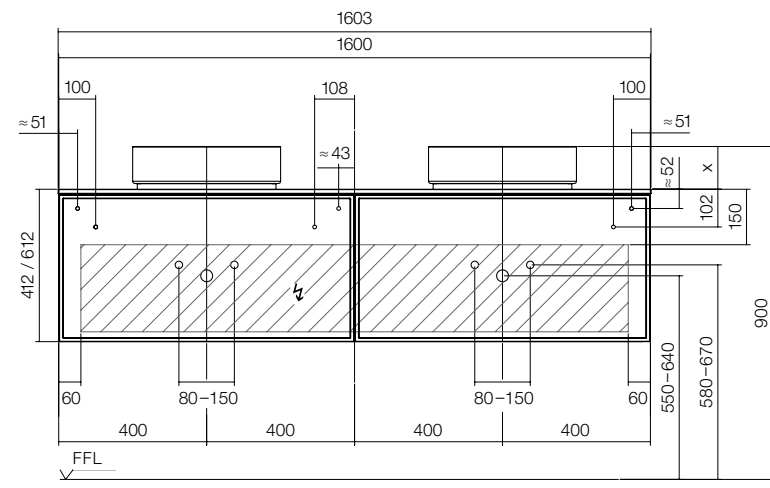
# Mounting and Connection Measurements

## Furniture module

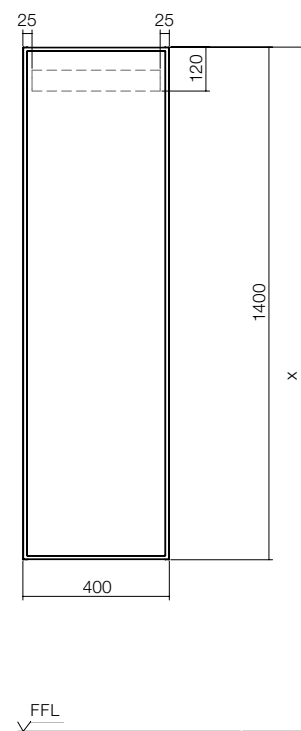
Width 1400 mm / Left and right basin position for furniture heights 400 and 600 mm



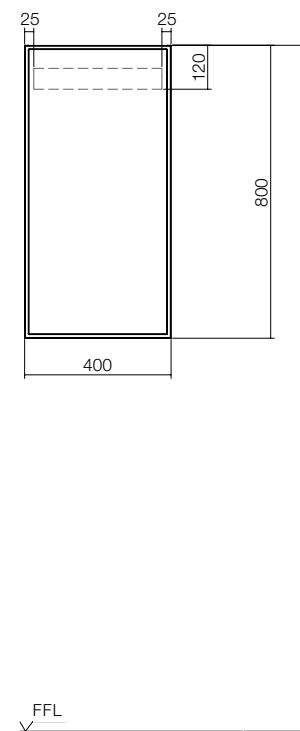
Width 1600 mm / Left and right basin position for furniture heights 400 and 600 mm



Cabinet



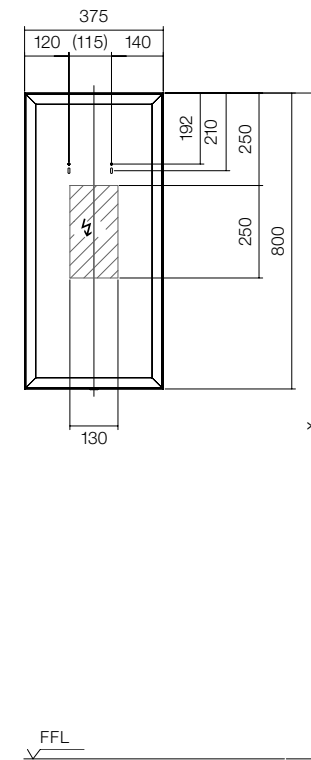
Mid-height cabinet



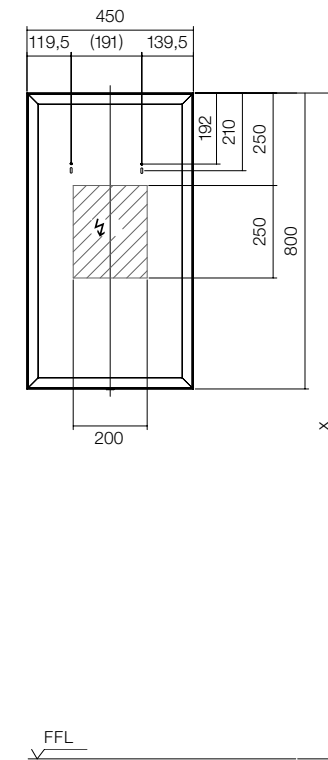
# Mounting and Connection Measurements

## Design mirrors

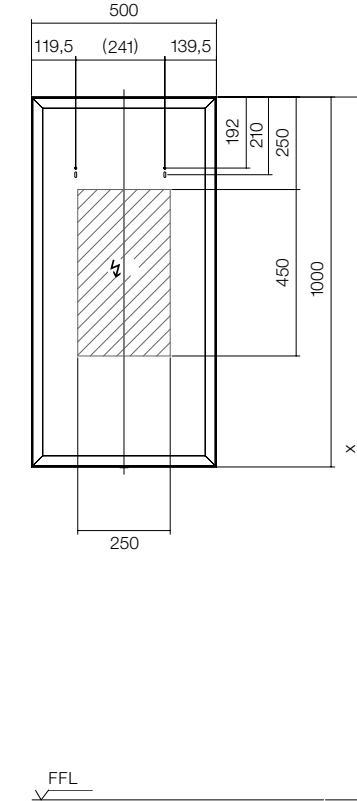
SP.FR375.S1



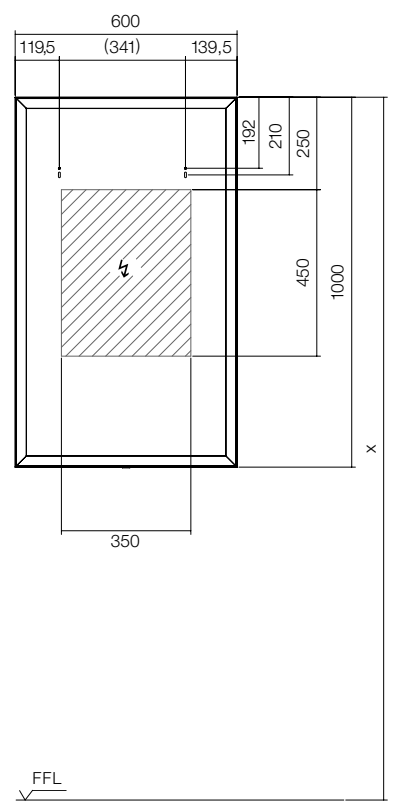
SP.FR450.S1



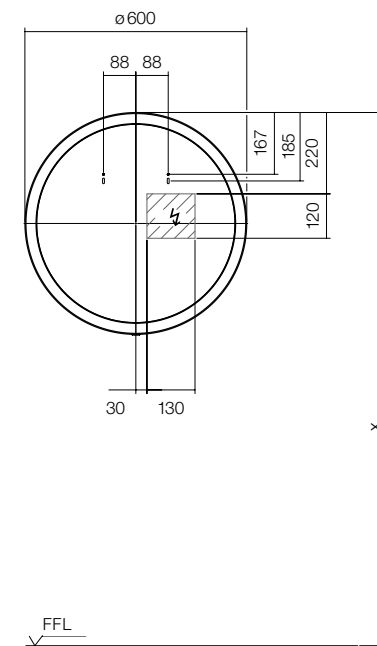
SP.FR500.S1



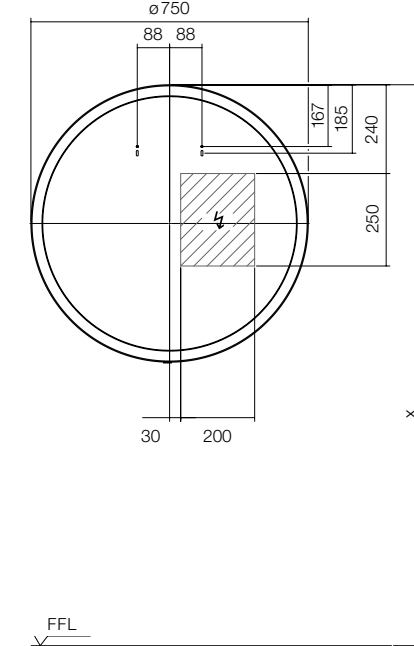
SP.FR600.S1



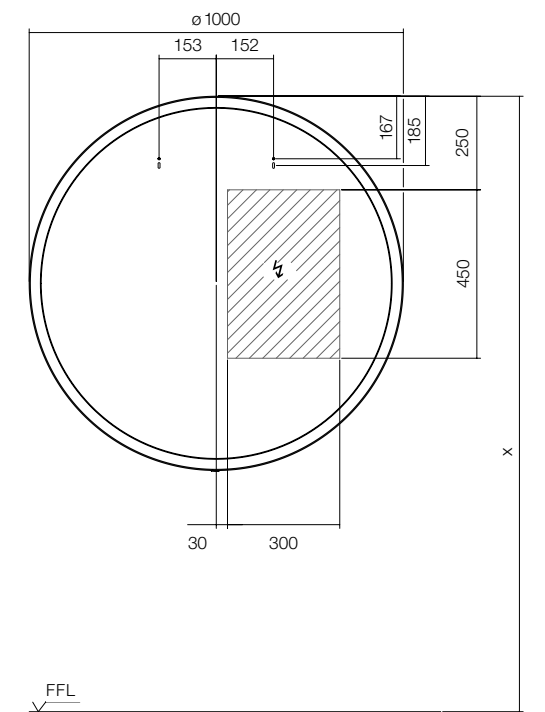
SP.FR600.R1



SP.FR750.R1

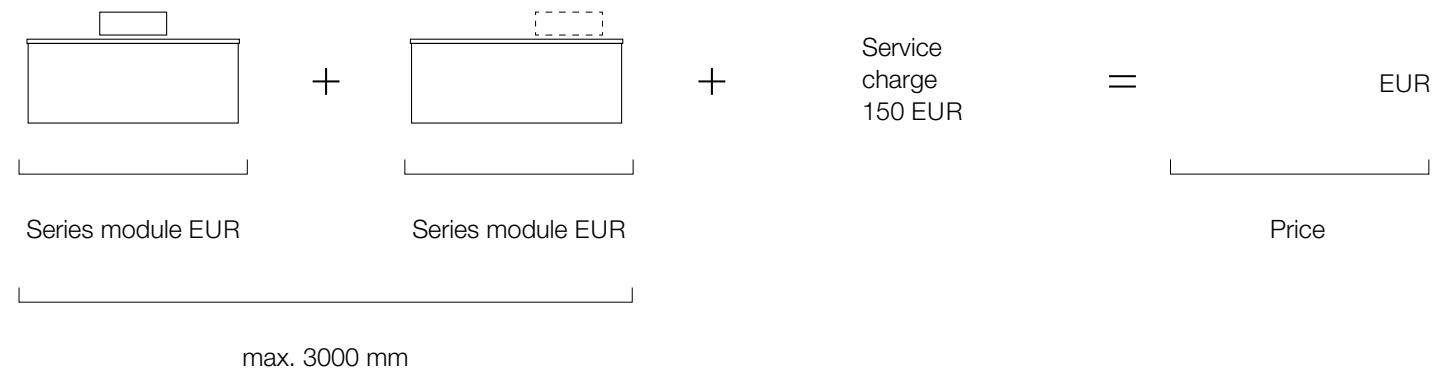


SP.FR1000.R1



## Addition of module + module

By adding the furniture modules offered as standard, it is possible to configure other widths. The maximum possible width is 3000 mm. The price is determined by adding the individual prices of the selected series modules plus a fixed service fee of EUR 150. The basin and tap fitting positions of the selected modules correspond to the standard series. It is possible to omit cut-outs for basin and tap fittings when adding modules.

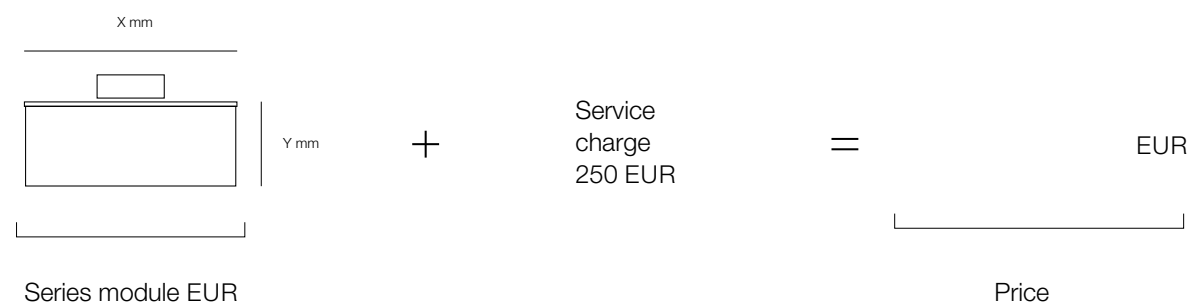


## Height and width adjustment

The dimensions of individual furniture modules can also change in height and width from those of the standard series. The surcharge per module is a service charge of EUR 250 on the closest series module.

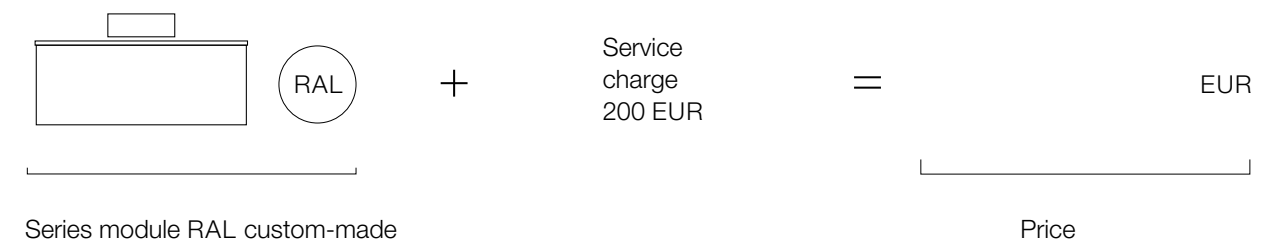
If two adjusted furniture modules are combined, the flat-rate service charge for two modules does not apply. Individual widths of a module with a continuous furniture fronts are possible between 600 and 1200 mm. For modules with divided front from 1200 to 1600 mm.

The number of drawers depends on the desired height dimension. In the range of 300 to 400 mm, the modules have one drawer whereas in the range of 400 to 600 mm, they have two drawers. The height of the top drawer is at least 200 mm.



## Custom RAL colours

The standard furniture modules are optionally available in all matt RAL colours to perfectly match the washplace to the bathroom interior. The additional surcharge for each custom colour tone is EUR 200.



## More solutions on request

Besides the two standard round sit-on basins with a diameter of 400 mm, it is also possible to create other basin solutions from the Alape portfolio with Arkta. This applies to other sit-on and dish basins as well as other types of installation such as undermounting.

Price available on request.

Basin models from other manufacturers can also be used. This requires the provision of up-to-date technical product data, which is needed to clarify viability.

Price available on request.

Furniture modules with a depth other than the standard dimension are possible with a technical inspection first.

Price available on request.

## Terms and Conditions of Sale, Delivery and Payment

### 1. GENERAL

1.1. The following terms apply exclusively to all of our quotations, sales and deliveries. We do not accept purchaser's terms of business that conflict with or differ from our Terms and Conditions, unless we have expressly agreed to them in writing. Differing arrangements apply only to a specific contract and not to subsequent contracts, save where expressly otherwise agreed.

1.2. All agreements, subsidiary agreements and contractual amendments must be made in writing. This applies equally to any revocation of this clause governing written form. To be effective, verbal or written agreements deviating from our contractual conditions and/or the order confirmation must be approved by the proper number of directors or authorised officers. Neither our office staff nor field staff are authorised to make differing agreements or to grant special terms.

### 2. INFORMATION, ADVICE

All information and advice given in respect of our products is based on our previous experience. Figures quoted are average values found from such experience. Any information or advice provided does not obviate the need for the goods supplied to be tested for suitability nor for compliance with processing instructions. Any information given verbally is not binding.

### 3. QUOTATION, CONTRACT SIGNATURE

3.1. All quotations are made subject to contract. A supply contract or any other contract becomes binding on us only when we have confirmed the customer's order or other order in writing or have delivered the goods.

3.2. Samples and trial items are supplied without obligation as goods on approval. Where a purchase is made based on samples and / or trial items it is made subject to deviations standards in the industry and within normal manufacturing tolerances. Unless expressly specified in the order confirmation, the supply of samples or trial items is not linked with any guarantee of quality or service life.

3.3. Samples and trial items are to be returned to us in perfect condition within 4 weeks. If they are not returned within this period, we shall be entitled to charge the list purchase price. Price lists are available on request at any time.

3.4. Save where expressly agreed otherwise, the information provided by us in text or illustrated form (e.g. descriptions, illustrations or drawings) in catalogues, brochures or other publications conclusively defines the quality of the goods we supply and their potential applications.

The information we provide is not a guarantee of service life or quality and is based on our current understanding. We accept no liability for successful use of goods supplied.

3.5. Measurements in quotations and brochures are only approximate and apply subject to standard tolerances with enamel goods. All goods are subject to changes in construction made for product development purposes.

### 4. PRICES

4.1. The prices charged are the prices stated in our binding price list applicable on the day of delivery, save where a fixed price has been expressly agreed in writing.

4.2. All prices are net and exclusive of VAT, which is to be paid by the purchaser at the prevailing statutory rate.

4.3. If there is any increase in our sundry material procurement costs, energy costs or labour costs/incidental wage costs between the date of order confirmation and the date of delivery, we shall be entitled to adjust an agreed fixed price accordingly. The purchaser will be entitled to cancel the contract if the price rise exceeds 5 %.

### 5. DELIVERY

5.1. The delivery periods will begin on the date of our order confirmation, but not before any agreed down payment has been received and not before all of the order details have been finally clarified, the requisite certificates procured and/or all necessary documents provided. The delivery date is deemed to have been met if the subject goods have left our factory or warehouse before this period has expired, or have been notified as ready for delivery if the goods cannot be forwarded on time for reasons beyond our control. Delivery dates are deemed to be approximate where there is no provision to the contrary.

5.2. When a delivery date not expressly designated as "fixed" in the order confirmation is overrun, the purchaser may set a reasonable extension period for delivery. We can only be in default on expiry of this extension period.

5.3. Without prejudice to our rights arising out of delays in payment by the purchaser, delivery dates will be extended by the period of time that the purchaser fails to honour his obligations to us.

5.4. The right remains for the purchaser to arrange proper and timely delivery himself, as long as we are in no way to be liable for such non-standard delivery.

5.5. Unforeseen, exceptional circumstances beyond our control, such as industrial action,

operational breakdown, government action, transport disruption or other instances of force majeure, irrespective of whether we or our suppliers are affected by such circumstances, will exempt us from our obligations under the relevant contract, although hindrances of a temporary nature shall do so only for the duration of the hindrance and a reasonable start-up time thereafter. The above circumstances are also beyond our control if they arise during a delay that has already occurred. If as a result, delivery subsequently becomes impossible or unreasonable for one of the parties, either party will be entitled to terminate the contract.

5.6. We shall not be liable for any loss due to delays arising from any breach of our contractual obligations caused by minor negligence, save where such a breach leads to injury to life, bodily harm or impaired health. There is no connection between this provision and any change in the burden of proof to the disadvantage of the purchaser.

5.7. Should liability for loss due to delay arise not only from a breach of contractual obligations caused by minor negligence, the purchaser shall, subject to the exclusion of further claims, be entitled only to claim compensation amounting to 0.5% for each full week of delay, up to a maximum of 5 percent in total, of the value of that part of the total delivery that, due to the delay, cannot be used on time or for its contractual purpose.

5.8. We shall be entitled to make part deliveries where acceptable to the purchaser. Part deliveries may be invoiced separately.

### 6. FORWARDING, TRANSFER OF RISK

6.1. Delivery will be ex works (Goslar), unless otherwise agreed. If Inco-terms have been agreed as the delivery terms, the version applicable on the date of contract signature shall apply.

6.2. If, at the purchaser's request, the goods have been forwarded to a place other than the place of performance, the purchaser will meet all costs thereby incurred. The choice of transit route and carrier will be at our discretion. We and the carrier must be notified in writing by the purchaser of the type and extent of any transit damage immediately upon receipt of the goods. Goods will only be insured against damage, loss or breakage in transit at the purchaser's express request and at his expense.

6.3. Forwarding and transportation are always at the purchaser's risk when goods are supplied ex works. This is also applicable if we make delivery to a third party (drop shipment deliveries) and when goods or empties (reusable packaging) are returned. Even when part deliveries are made, the risk passes to the purchaser as soon as the consignment has been transferred to the carrier or has left our warehouse for forwarding or, in the case of delivery ex works, has left our plant.

6.4. If forwarding is delayed due to circumstances for which the purchaser is responsible, or if the purchaser himself is arranging transportation, risk will pass to the purchaser on notification that the goods are ready for despatch. The purchaser must meet storage charges incurred after risk has been transferred. The monthly storage charge for goods delivered to our factory or warehouse will be 0.5 % of the invoice value. Subject to showing good reason for so doing, we reserve the right to levy higher storage charges. Once a reasonable period of time has elapsed to no effect, we shall be entitled to dispose of the goods by other means and to supply the purchaser within a reasonably extended period.

### 7. PAYMENT

7.1. Payments are to be made in euros (EUR) and must be free of all charges and postage. They must be remitted only to the bank indicated by us. Payment by cheque will be deemed to have been made only when cashed. Cheques are accepted with no obligation for timely presentation or protest.

7.2. Unless expressly agreed otherwise, payments must be made within 10 days of the invoice date at a 2 % discount and within 30 days of the invoice date with no deduction. There will be no discount entitlement if previous outstanding invoices remain unpaid.

7.3. If the deadline allowed for payment is exceeded, we shall be entitled to charge interest at 8 percentage points above base (Section 247 of the German Civil Code [BGB]). All of our outstanding accounts will also become immediately due.

7.4. The off-setting of any counter-claims by the purchaser is permissible only if such counter-claims are undisputed or established in law. In the event of deficient deliveries, the purchaser may at most withhold a sum amounting to three times the cost of subsequent work to make good such deliveries. When exercising his right of retention, the purchaser agrees to pay as security the amount of the unpaid portion by bank guarantee or, at our discretion, by depositing it with a notary of his choosing.

### 8. RETENTION OF TITLE

8.1. All goods supplied shall remain our property (retained-title goods) pending settlement of all financial claims, made on any legal grounds whatsoever, including all future and conditional claims arising from contracts signed simultaneously or subsequently. The same shall apply if payments are made against specified outstanding amounts. Should there be evidence indicating

that a purchaser is unable to pay or that such inability is impending, we shall be entitled to terminate the contract without notice and to demand restitution of the goods.

8.2. Any adaptation or processing of retained-title goods is done on our behalf as the manufacturer in accordance with Section 950 of the BGB without creating any obligation on our part. All such processed goods are deemed to be retained-title goods as defined in clause 8.1. If retained-title goods are processed, combined or included by the purchaser with third party goods, we shall be entitled to co-ownership of the new goods to the ratio of the invoice value of the retained-title goods to the other goods used. Should our right of title become void as a result of such combination or inclusion, the purchaser agrees with immediate effect to assign to us his title or expectant rights in the new goods or object to the extent of the invoice value of the retained-title goods and to retain same on our behalf at no charge. The co-ownership rights at issue shall be deemed to be retained-title goods as defined in clause 8.1.

8.3. The purchaser may sell on, process or combine the retained-title goods with other items or otherwise install them (resale) only as part of his normal business activities and as long as he is not in default. He shall not be entitled to dispose of the retained-title goods in any other way. We must be informed immediately of any third party seizure of or other access to the retained-title goods.

8.4. The purchaser agrees with immediate effect to assign to us his receivables arising from the resale of the reserved-title goods. These shall serve as security to the same extent as the retained-title goods. The purchaser will only be entitled and authorised to resell goods on the assurance that all receivables becoming due to him as a result will be transferred to us.

8.5. If the retained-title goods are sold by the purchaser at an inclusive price together with third party goods, the receivables arising from such sale shall be assigned to us in the amount of the invoice value of the retained-title goods sold in each instance.

8.6. If the receivable amount assigned is included in a current account, the purchaser hereby assigns to us a part of the balance corresponding to the amount of the receivable sum inclusive of the final balance from the current account.

8.7. The purchaser will be entitled to collect such receivables on our behalf until such time as we revoke this right. We shall be entitled to revoke this right if the purchaser fails to meet his payment obligations arising from his business transactions with us or if we become aware of circumstances likely to lessen substantially the purchaser's creditworthiness. If the conditions are such that we wish to exercise our right of revocation, the purchaser must on request inform us forthwith of the receivable sums assigned and the debtors to which these apply, provide all information necessary to collect such debts, hand over to us all associated documents and notify the debtor of the assignment.

8.8. Our assertion of retention of title shall not constitute revocation of the contract unless we expressly state this in writing. The purchaser's right to own the retained-title goods shall lapse if he fails to perform his obligations under this or any other contract.

### 9. LIABILITY FOR FAULTY GOODS

9.1. We do not accept liability for unsuitable or improper use, particularly excessive stress, faulty assembly or faulty operation by the purchaser or third parties, natural wear and tear, faulty or negligent usage or handling, particularly by untrained staff.

9.2. The purchaser agrees to inspect all deliveries carefully for completeness and adequacy immediately upon receipt – even if samples or trial items were previously supplied. The delivery is deemed to have been accepted if a deficiency has not been reported by letter, telex or fax within 10 working days of the goods arriving at their destination, or, if the deficiency could not be found during due inspection, within 10 working days of discovering same. This also applies to multiple deliveries. A multiple delivery is deemed to have been accepted if no complaint is lodged within 10 days of the goods arriving at their destination. Our field staff are not authorised to acknowledge quantity or deficiency complaints.

9.3. A purchaser accepting faulty goods knowing them to be defective shall only be entitled to the claims and rights in respect of deficiencies if he reserves the right to these by reason of deficiency on acceptance.

9.4. We guarantee to meet the purchaser's claims in respect of defective goods for a period of two years, starting in each instance with the date of delivery. This shall not affect liability for defects of title as defined by statutory provision. Liability for losses arising from defects shall be governed by clause 10.

9.5. Where there are valid grounds for complaint, the purchaser shall initially only have a claim for defects to be made good, which we may effect as we see fit either by repair or by supplying a defect-free item. If such remedial action fails to work, is unacceptable to the purchaser (Section 440 of the BGB) or superfluous to his requirements, the purchaser shall immediately have the right to reduce the purchase price or, if he so chooses, to revoke the contract or to demand damages in place of any work or reimbursement of wasted expenditure in accordance with clause 10, because:

- we ultimately decline to make good,
- we do not effect the make-good work on a contractually agreed date or within a specific

period and in the contract the purchaser has contractually tied his continued interest in the execution of the contract to the timely provision of services, or  
c) there are special circumstances, which, when considering the interests of both parties, justify immediate cancellation (Section 323, para. 2 of the BGB).

9.6. Where we deem it necessary to effect repairs or replacement deliveries, the purchaser shall allow us sufficient time and opportunity for such repairs or replacement deliveries, failing which our liability for the deficiency shall be deemed to have been discharged. Only in urgent cases where operational safety is endangered or in order to avoid disproportionately large losses, in which case we must be informed immediately, or if we are late in rectifying the defect, shall the purchaser have the right to rectify the defect himself or to have it rectified by others and then to claim reimbursement of the necessary costs from us.

9.7. The warranty period for the goods replacing a faulty item will also be two years. It will run at least until the expiry date of the original warranty period for the goods supplied.

9.8. Any manufacturer guarantees given by us are regulated in the applicable guarantee conditions. These can be viewed at [www.alape.com](http://www.alape.com).

### 10. LIABILITY FOR DAMAGES

10.1. We accept liability for damages arising from injury to life, bodily harm or impaired health in accordance with statutory provisions.

10.2. Our liability for breach of duty and our non-contractual liability shall, moreover, be limited to wilful intent and gross negligence. Liability for gross negligence of our employees, staff and vicarious agents is hereby excluded.

10.3. Breaches of material contractual obligations (cardinal duties) are excluded from clause 10.2. In such instances, even in cases of only minor negligence, we shall be liable for own negligence and that of our employees, staff and vicarious agents.

10.4. Liability is restricted to the typical contractual losses which we could have expected at contract signature based on the circumstances known to us at that time.

10.5. Any further liability is excluded, irrespective of its legal basis. In particular, we will not accept liability for lack of commercial success, loss of profits, consequential loss, losses as a result of defects or losses arising from third party claims.

10.6. The aforementioned limitations on liability apply equally to claims for reimbursement of wasted expenditure (Section 284 of the BGB).

10.7. Claims against us for damages on any legal grounds whatsoever shall lapse within two years of statutory commencement of the period of limitations and in any case no later the date of delivery of the item.

10.8. There is no shift in the burden of proof to the disadvantage of the purchaser connected with the above provisions.

10.9. Claims for compensation under the Product Liability Act remain unaffected.

### 11. RETURNED GOODS

11.1. Goods may only be returned by prior arrangement and must be sent carriage paid.  
11.2. We charge a handling fee for returns of 30 % of the net value of the goods, plus any reprocessing costs.

### 12. PLACE OF EXECUTION, JURISDICTION, APPLICABLE LAW

12.1. The place of execution for all obligations of both parties to this contract shall be Goslar.  
12.2. Any disputes involving registered trade operators shall exclusively be settled before a competent court of law having jurisdiction for our headquarters. We shall, however, also be entitled to bring actions against the purchaser in other jurisdictions.

12.3. The relationship between ourselves and the purchaser shall be governed by German law with the exception of the United Nations Convention on the International Sale of Goods (CISG) and the provisions of international private law.

12.4. Should subsequent circumstances cause individual provisions of these Terms and Conditions to be or become invalid, this shall not affect the validity of the remaining provisions.

Our service team will be happy to answer your questions and provide you with competent support in spirit of our partnership.

You can reach the team by phone at: +49 (0)5321 558 111

or by e-mail  
service@alape.de

### Technical data

At [www.alape.com](http://www.alape.com) you will find extensive information about our Arkta furniture system.

Alape GmbH  
Am Gräbicht 1-9  
38644 Goslar  
Germany

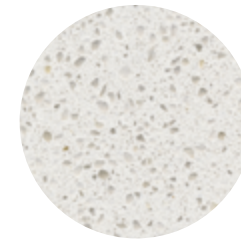
Postfach 2812  
38628 Goslar  
Germany

Tel +49 (0)5321 558 0  
Fax +49 (0)5321 558 400  
info@alape.com

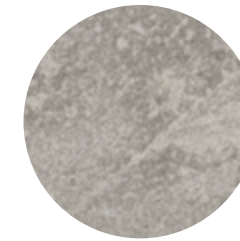
[www.alape.com](http://www.alape.com)

## Surfaces

### Countertop



Quartz stone  
Snow (73)



Neolith  
New York Silk (74)



Neolith  
Retrostone Silk (75)

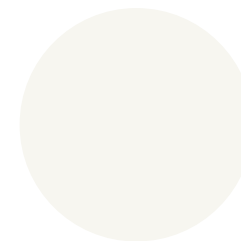


Mineral stone  
White (71)

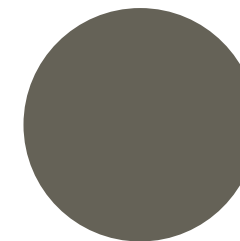


Quartz stone  
Carrara (72)

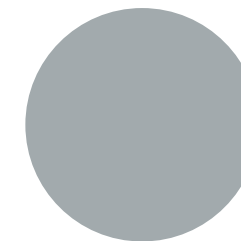
### Furniture



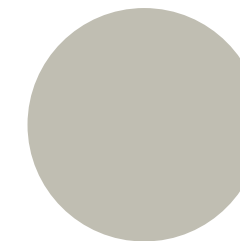
Matt lacquer  
White (51)



Matt lacquer  
Quartz grey (52)



Matt lacquer  
Turquoise grey (53)



Matt lacquer  
Silk-grey (54)

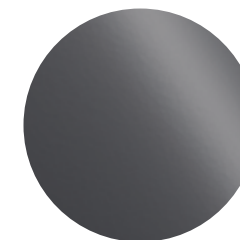


Real wood veneer  
Oak brushed (55)

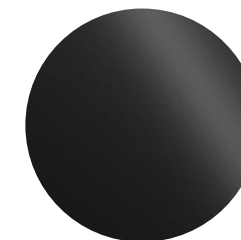
### Basins



White glossy  
(000)

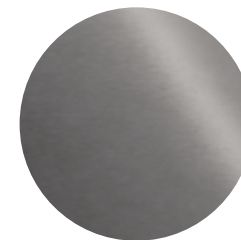


Matt grey  
(154)

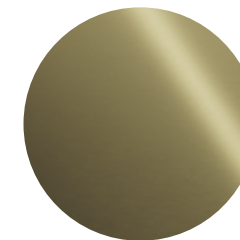


Matt black  
(240)

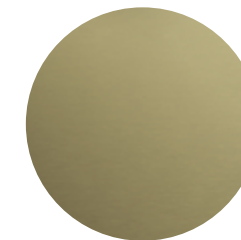
### Handles



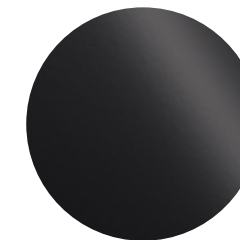
Stainless steel  
(922)



Brushed brass  
(336)



Matt brass  
(338)



Matt black  
(980)

Alape GmbH  
Am Gräbicht 1-9  
38644 Goslar  
Germany

Postfach 2812  
38628 Goslar  
Germany

Tel +49 (0)5321 558 0  
Fax +49 (0)5321 558 400  
info@alape.com

[www.alape.com](http://www.alape.com)