

Price List International

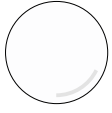
Valid from 1. January 2026

Baths
Showers
Washbasins

2026

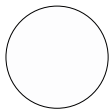
Colour Variety

White 000 and the Key Colours can be combined with all enamelled products*

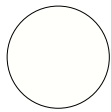


White 000

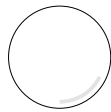
Key Colours



Snow 440



Edelweiss 004



Starwhite 287



Cream 441



Pergamon 001



Beige 422



Jasmin 006



Flax 423



Sand 424



Bahama beige 003



Silver 410



Manhattan 002



Dust 413



Flanell 008



Quartz 412



Stone 416



Cashmere 415



Hazel 417



Greige 425



Graphite 404



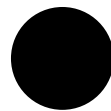
Slate 402



Smoke 403



Anthracite 401



Ebony 035



Raven 400



Black 056



Midnight 790



Curry 040



Blue Satin 418



Salvia 307

*Excluded from this is the BetteFlat.

BetteAntislip Sense can only be combined with White 000.

Please use our product configurator at www.my-bette.com for this purpose

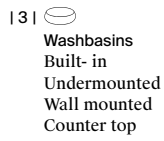
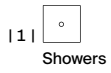
You can find the price list at www.my-bette.com/service/downloads.



High gloss

Colour Variety

Legend product categories for colour selection*



*When combined with extras such as Upstand, Anti-Slip Pro or Anti-Slip Sense, some colours may be excluded. Please use our product configurator at www.my-bette.com for this purpose. You can find the price list at www.my-bette.com/service/downloads.

Bespoke Colours



Violet 124
1 | 1 | 2 | 3 |



Sunset 013
1 | 1 | 2 | 3 |



Stella 021
1 | 1 | 2 | 3 |



Azalee 130
1 | 1 | 2 |



Magnolia 077
1 | 1 | 2 |



Misty Pink 010
1 | 1 | 2 | 3 |



Ivory 014
1 | 1 | 2 | 3 |



Chantoung 646
1 | 1 | 2 |



Soft Cream 020
1 | 1 | 2 | 3 |



Natura 038
1 | 1 | 2 | 3 | 4 | 5 |



Anemone 086
1 | 1 | 2 | 3 |



Caramel 046
1 | 1 | 2 | 3 |



Cashmere 090
1 | 1 | 2 |



Carneol 096
1 | 1 | 2 | 6 |



Rubin Red 057
1 | 1 | 2 |



Ebano 434
1 | 1 | 6 | 7 |



Taupe 438
1 | 1 | 6 | 7 |



Cacao 439
1 | 1 | 6 | 7 |



Bali Brown 065
1 | 1 | 2 |



Graphit 074
1 | 1 | 2 |



Daylight 788
3 |



Chinchilla 029
1 | 1 | 2 |



Pearl 053
1 | 1 | 2 |



Reflet Grey 044
1 | 1 | 2 |



Montblanc 140
1 | 1 | 2 |



Ågåis 009
1 | 1 | 2 | 3 |



Capri 015
1 | 1 | 2 | 3 |



Crocus 043
1 | 1 | 2 |



Key West 031
1 | 1 | 2 |



Bermuda Blue 023
1 | 1 | 2 | 3 |



Calypso 011
1 | 1 | 2 | 3 |



Flint 414
1 | 1 | 2 | 3 | 5 | 6 | 7 |



Caspian Green 112
1 | 1 | 2 |



Evergreen 115
1 | 1 | 2 | 3 |



Moss Green 016
1 | 1 | 2 | 3 |



Forest 791
3 |

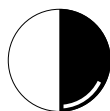


Colour Variety

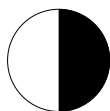
BetteBicolour

Selected bath models can be finished with a coloured apron.

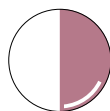
* Only for oval baths.



Glossy Black 350
| 4 * |



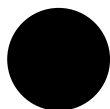
Matt Black 351
| 4 * |



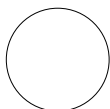
Violet 352
| 4 * |

BetteLux Shape

Frame colours & Real wood veneer



Black Matt 815



White Matt 807



Natural Oak 814

Real wood veneer is a natural material.
Differing grain underlines the natural
character of the surface.
UV radiation changes colouring.

BetteLux Oval Couture

Function fabric for outdoor furniture by JAB Anstoetz, haptic as a typical sofa fabric,
water-, mould- and climate resistant.



Elephant 852



Carbon 853



Ivory 850

Price List International 2026

Legend Price group

ES ESSENTIALS ▲ stock item*
CP COMPONENTS *only in White (000)
IN INSTALLATION
EX EXTRAS (Price calculation as per enamelled product)

Ordering aid

- 1 Specification of the order number
- 2 The article number and 3 digit colour number are separated by a hyphen, not by a space.
- 3 Colour number must always be given in 3 digits
- 4 The 1st possible code comes after the colour number without spaces. Subsequent extras should be separated by a comma, not by a space.
- 5 Please note the order of specifying the extras.
The last item should not be followed by a space or comma.

Info:
The ordering of customized items is not possible via EDI.

List of codes for extras:

Priority	Extra	Code
1	Special production as per drawing no.	ZN:
2	BetteUpstand, indication of tiling upstand no.	Z
3	BetteSpecial size, indication of length x width in mm	M:
3	shortened BetteUpstand, right	Y1
3	shortened BetteUpstand, left	Y2
3	shortened BetteUpstand, both sides	Y3
4	Profi Corner, indication of profi corner no.	E
5	Drilling for 3-hole-tap for washbasins	HLW3
5	Tapholes and drilling as per special drawing	HLZ
6	Grips	1GR/2GR
7	BetteJet Whirlsystem	JET
9	BetteSpa Whirlsystem	SPA
11	BetteAirjet Plus Whirlsystem	AJETP
13	Bath without overflow for BetteSensory	oUeL
13	Washbasin with overflow	mUeL
14	Special depth, indication in mm	ST:
16	BetteAnti-Slip Pro	AE
16	BetteAnti-Slip Sense	AS
16	BetteAnti-Slip Pro for glazed waste cover	AY
16	BetteAnti-Slip Sense for glazed waste cover	AX
17	BetteAntinoise for bath	AD
17	BetteAntinoise for shower tray	ADD
18	BetteDisinfection for Whirlpool	DES
20	Multiplex Trio for Whirlpool	MT
23	BetteGlaze® Plus	PLUS
23	BetteGlaze® Plus for washbasins	PW
24	BetteSeal+	W
24	Polystyrene support	T
24	Minimum-support	T1
24	Minimum-support for BetteAir	T2
25	Individual laser logo	Lo:

Order examples:

Shower tray BetteUltra 900 x 900 mm (5930)
Colour: Pergamon (001)
Extras: BetteUpstand (ZXX), BetteGlaze® Plus (PLUS)

2
4

5930 - 001Z71, PLUS

1
3
5

Order number of the product for the dimension Colour Extras

Shower area BetteFloor 900 x 900 mm (5931)
Colour: White (000)
Extras: Anti-Slip Pro (AE), Minimum-support (T1)

2
4

5931 - 000AE, T1

1
3
5

Order number of product for dimension Colour Extras

BetteStarlet Oval Silhouette 1750 x 800 mm (2680 CFXXK)
Colour: White (000)
Extra: BetteAnti-Slip Sense (AS)

2
4

2680 - 000CFXXK, AS

1
3
1
5

Order number of product for dimension Colour Product variation code follows after the colour and before extra. Extras

BetteLux Shape Standing mirror with rear panel oak natural 814 (Q050 FH814)
Colour frame: White matt (807)

2

Q050 - 807FH814

1
3
1

Order number of product for dimension Colour Product variation code follows after the colour and before extra.

BetteStarlet Oval 1750 x 800 mm (2680)
Colour: White (000)
Whirlsystem: Airjet Plus (AJETP) in White finish (B350-000)
Extras and Accessories: Disinfection (DES) in White finish (B480-000)

2
4

2680-000AJETP, DES

1
3
1
5

Order number of product for dimension Colour Product variation code follows after the colour and before extra. Extras


2
2


B350-000 B480-000


1
3
1
3


Accessories are listed on separate lines in the same order.


Single-Ended Baths


L x W x D; lying dimension	article no.
	
BetteClassic	
→ p. 28	
1400 x 700 x 450; 965	1266
1500 x 700 x 450; 1070	1268
1600 x 700 x 450; 1155	1267
1600 x 750 x 450; 1170	1269
1650 x 750 x 450; 1165	1265
1700 x 700 x 450; 1265	3108
1700 x 730 x 450; 1265	3109
1700 x 750 x 450; 1265	3110
1700 x 800 x 450; 1265	3111
1750 x 750 x 450; 1265	3112
1800 x 700 x 450; 1360	1271
1800 x 750 x 450; 1360	1272
1800 x 800 x 450; 1360	1270
1900 x 800 x 450; 1460	1273


	
BetteComodo	
→ p. 30	
1700 x 750 x 450; 1250	1250
1700 x 800 x 450; 1250	1253
1800 x 800 x 450; 1310	1251
1900 x 900 x 450; 1380	1252


	
BetteComodo with side overflow	
→ p. 32	
1700 x 750 x 450; 1250	1620
1700 x 750 x 450; 1250	1640
1700 x 800 x 450; 1250	1623
1700 x 800 x 450; 1250	1643
1800 x 800 x 450; 1310	1621
1800 x 800 x 450; 1310	1641
1900 x 900 x 450; 1380	1622
1900 x 900 x 450; 1380	1642


	
BetteForm	
→ p. 34	
1400 x 700 x 420; 965	2940
1500 x 700 x 420; 1070	2941
1600 x 700 x 420; 1155	2942
1600 x 750 x 420; 1170	2943
1650 x 750 x 420; 1170	2944
1700 x 700 x 420; 1265	2945
1700 x 730 x 420; 1265	2946
1700 x 750 x 420; 1275	2947
1700 x 800 x 420; 1275	2948
1750 x 750 x 420; 1275	2949
1800 x 800 x 420; 1360	2950
1900 x 800 x 420; 1460	2951


L x W x D; lying dimension	article no.
	
BetteOcean	
→ p. 36	
1500 x 700 x 450; 1235	8858
1500 x 700 x 450; 1235	8859
1600 x 700 x 450; 1335	8850
1600 x 700 x 450; 1335	8851
1700 x 700 x 450; 1335	8852
1700 x 700 x 450; 1335	8853
1700 x 750 x 450; 1435	8854
1700 x 750 x 450; 1435	8855
1700 x 800 x 450; 1435	8765
1700 x 800 x 450; 1435	8865
1800 x 800 x 450; 1535	8856
1800 x 800 x 450; 1535	8857


	
BetteOcean Low-Line	
→ p. 38	
1500 x 700 x 380; 1235	8841
1500 x 700 x 380; 1235	8842
1600 x 700 x 380; 1335	8830
1600 x 700 x 380; 1335	8831
1700 x 700 x 380; 1335	8832
1700 x 700 x 380; 1335	8833
1700 x 750 x 380; 1435	8834
1700 x 750 x 380; 1435	8835
1700 x 800 x 380; 1435	8836
1700 x 800 x 380; 1435	8837
1800 x 800 x 380; 1535	8838
1800 x 800 x 380; 1535	8839


	
BetteOne Relax	
→ p. 40	
1800 x 800 x 450; 1080	3323
1900 x 900 x 450; 1165	3324
2000 x 900 x 450; 1285	3325

	
BetteSelect	
→ p. 42	
1600 x 700 x 420; 1200	3410
1700 x 700 x 420; 1300	3411
1700 x 750 x 420; 1300	3412
1800 x 800 x 420; 1400	3413


L x W x D; lying dimension	article no.
	
BetteSelect with side overflow	
→ p. 44	
1600 x 700 x 420; 1200	3420
1600 x 700 x 420; 1200	3430
1700 x 700 x 420; 1300	3421
1700 x 700 x 420; 1300	3431
1700 x 750 x 420; 1300	3422
1700 x 750 x 420; 1300	3432
1800 x 800 x 420; 1400	3423
1800 x 800 x 420; 1400	3433

	
BetteSet	
→ p. 46	
1500 x 750 x 380; 1195	2560
1600 x 700 x 380; 1235	3650
1600 x 750 x 380; 1250	3660
1650 x 750 x 380; 1250	3560
1700 x 750 x 380; 1350	3060
1700 x 800 x 380; 1350	3760
1800 x 800 x 380; 1435	3860


	
BetteStep	
→ p. 48	
1050 x 650 x 420	1050
1180 x 730 x 420	1060


	
LaBette	
→ p. 50	
1080 x 730 x 380; 865	1080
1180 x 730 x 380; 945	1180
1200 x 700 x 390; 920	1200
1240 x 700 x 420; 925	1240
1300 x 700 x 390; 995	1300


Double-Ended Baths

L x W x D; lying dimension	article no.
	
BetteDuett	
→ p. 52	
1700 x 750 x 420; 1210	3020
1700 x 800 x 420; 1210	3100


	
BetteDuo	
→ p. 54	
1800 x 800 x 420; 1280	3820


	
BetteEve	
→ p. 56	
1800 x 1000 x 450; 1270	6042

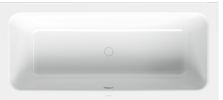
	
BetteEve Oval	
→ p. 58	
1800 x 1000 x 450; 1270	6043


	
BetteFree	
→ p. 60	
1700 x 750 x 450; 1160	6829
1800 x 800 x 450; 1260	6830
1900 x 900 x 450; 1360	6831
2000 x 1000 x 450; 1460	6832


	
BetteLoft	
→ p. 62	
1700 x 800 x 420; 1223	3171
1800 x 800 x 420; 1327	3172
1900 x 900 x 420; 1426	3173


L x W x D; lying dimension	article no.
	
BetteLux	
→ p. 64	
1700 x 750 x 450; 1270	3440
1800 x 800 x 450; 1345	3441
1900 x 900 x 450; 1420	3442


	
BetteLux Oval	
→ p. 66	
1700 x 750 x 450; 1270	3465
1800 x 800 x 450; 1340	3466
1900 x 900 x 450; 1420	3467


	
BetteOne	
→ p. 68	
1600 x 700 x 420; 1250	3310
1700 x 700 x 420; 1340	3311
1700 x 750 x 420; 1340	3312
1800 x 800 x 420; 1420	3313
1900 x 900 x 420; 1515	3314


	
BetteSelect Duo	
→ p. 70	
1700 x 750 x 420; 1185	3472
1800 x 800 x 420; 1285	3473


	
BetteStarlet	
→ p. 72	
1500 x 800 x 420; 1070	1210
1570 x 700 x 420; 1170	2590
1600 x 650 x 420; 1170	2540
1600 x 700 x 420; 1170	1220
1650 x 700 x 420; 1170	1230
1700 x 700 x 420; 1270	1730
1700 x 750 x 420; 1270	1380
1750 x 800 x 420; 1270	1450
1800 x 750 x 420; 1370	1430
1800 x 800 x 420; 1370	1630
1850 x 850 x 420; 1370	1631
1900 x 900 x 420; 1465	1830


	
BetteStarlet Spirit	
→ p. 74	
1700 x 750 x 420; 1270	1384
1800 x 800 x 420; 1370	1634


L x W x D; lying dimension	article no.
	
BetteStarlet I	
→ p. 76	
1650 x 750 x 420; 1170	8300
1750 x 800 x 420; 1270	8310
1850 x 850 x 420; 1370	8320

	
BetteStarlet IV	
→ p. 78	
1650 x 750 x 420; 1170	6650
1750 x 800 x 420; 1270	6660
1850 x 850 x 420; 1370	6670

	
BetteStarlet V	
→ p. 80	
1650 x 750 x 420; 1170	6680
1750 x 800 x 420; 1270	6690
1850 x 850 x 420; 1370	6700

	
BetteStarlet Flair Oval	
→ p. 82	
1580 x 680 x 420; 1170	8772
1680 x 730 x 420; 1270	8773
1780 x 780 x 420; 1370	8774
1880 x 880 x 420; 1465	8775

	
BetteStarlet Hexa	
→ p. 84	
1880 x 700 x 420; 1170	2040
2000 x 750 x 420; 1270	2060
2100 x 800 x 420; 1370	2080

	
BetteStarlet Oval	
→ p. 86	
1500 x 800 x 420; 1070	2700
1650 x 750 x 420; 1170	2720
1750 x 800 x 420; 1270	2680
1850 x 850 x 420; 1370	2740
1950 x 950 x 420; 1465	2745

Freestanding Baths

L x W x D; lying dimension article no.



BetteArt

→ p. 88

1805 x 755 x 420; 1564 3480 CFXK



BetteArt I

→ p. 90

1805 x 800 x 420; 1564 3480 CWHK



BetteArt IV

→ p. 92

1850 x 800 x 420; 1564 3480 CERHK



BetteArt V

→ p. 94

1850 x 800 x 420; 1564 3480 CELHK



BetteEve Oval Silhouette

→ p. 96

1800 x 1000 x 450; 1270 6043 CFXS



BetteLoft Ornament

→ p. 98

1810 x 810 x 420; 1327 3172 CFX6A



BetteLux Oval Couture

→ p. 100

1800 x 800 x 450; 1340 3466 TX

L x W x D; lying dimension article no.



BetteLux Oval Silhouette

→ p. 102

1700 x 750 x 450; 1270 3465 CFXS
1800 x 800 x 450; 1340 3466 CFXS
1900 x 900 x 450; 1420 3467 CFXS



BetteLux Oval I Silhouette

→ p. 104

1700 x 800 x 450; 1270 3415 CWVVS
1800 x 850 x 450; 1340 3416 CWVVS
1900 x 950 x 450; 1420 3417 CWVVS



BetteLux Oval IV Silhouette

→ p. 106

1750 x 800 x 450; 1270 3425 CERVS
1850 x 850 x 450; 1340 3426 CERVS
1950 x 950 x 450; 1420 3427 CERVS



BetteLux Oval V Silhouette

→ p. 108

1750 x 800 x 450; 1270 3435 CELVS
1850 x 850 x 450; 1340 3436 CELVS
1950 x 950 x 450; 1420 3437 CELVS



BetteLux Shape

→ p. 110

1700 x 750 x 450; 1270 3451
1800 x 800 x 450; 1345 3452
1900 x 900 x 450; 1420 3453



BettePond Silhouette

→ p. 112

1500 x 1500 x 450; 1235 6045 CFXS

L x W x D; lying dimension article no.



BetteStarlet I Silhouette

→ p. 114

1650 x 750 x 420; 1170 8300 CWVVK
1750 x 800 x 420; 1270 8310 CWVVK
1850 x 850 x 420; 1370 8320 CWVVK
1950 x 950 x 420; 1470 8325 CWVVK



BetteStarlet IV Silhouette

→ p. 116

1650 x 750 x 420; 1170 6650 CERVK
1750 x 800 x 420; 1270 6660 CERVK
1850 x 850 x 420; 1370 6670 CERVK
1950 x 950 x 420; 1470 6677 CERVK



BetteStarlet V Silhouette

→ p. 118

1650 x 750 x 420; 1170 6680 CELVK
1750 x 800 x 420; 1270 6690 CELVK
1850 x 850 x 420; 1370 6700 CELVK
1950 x 950 x 420; 1470 6720 CELVK



BetteStarlet Oval Silhouette

→ p. 120

1500 x 800 x 420; 1070 2700 CFXK
1650 x 750 x 420; 1170 2720 CFXK
1750 x 800 x 420; 1270 2680 CFXK
1850 x 850 x 420; 1370 2740 CFXK
1950 x 950 x 420; 1470 2745 CFXK




BetteSuno Oval


→ p. 122


1775 x 775 x 420 2740 CFXSR


Feature Baths | Showers


L x W x D; lying dimension	article no.
	
BetteBambino	
→ p. 124	
1570 x 650 x 420; 1280	2770
1570 x 650 x 420; 1280	2780
1570 x 700 x 420; 1280	2570
1570 x 700 x 420; 1280	2580


	
BettePond	
→ p. 126	
1500 x 1500 x 450; 1235	6045

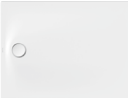
	
BetteSpace S	
→ p. 128	
1700 x 750 x 420; 1340	1130
1700 x 750 x 420; 1340	1140

	
BetteSpace M	
→ p. 130	
1700 x 900 x 420; 1346	1131
1700 x 900 x 420; 1346	1141

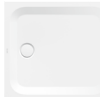
	
BetteSpace L	
→ p. 132	
1700 x 1300 x 420; 1341	1132
1700 x 1300 x 420; 1341	1142

L x W x (D)	article no.
	
BetteUltra Space 800 mm - 1100 mm	
→ p. 144	
800 x 750	4003
800 x 800	4004
900 x 700	4007
900 x 750	4008
900 x 800	4009
900 x 850	4010
900 x 900	4011
1000 x 700	4012
1000 x 750	4013
1000 x 800	4014
1000 x 900	4015
1000 x 1000	4016
1100 x 750	4019
1100 x 800	4020
1100 x 900	4021
1100 x 1000	4022

	
BetteUltra Space 1200 mm - 1400 mm	
→ p. 146	
1200 x 700	4024
1200 x 750	4025
1200 x 800	4026
1200 x 900	4027
1200 x 1000	4028
1200 x 1200	4030
1300 x 800	4033
1300 x 900	4034
1400 x 700	4037
1400 x 750	4038
1400 x 800	4039
1400 x 900	4040
1400 x 1000	4041

	
BetteUltra Space 1500 mm - 1700 mm	
→ p. 148	
1500 x 800	4045
1500 x 900	4046
1500 x 1000	4047
1600 x 700	4049
1600 x 750	4050
1600 x 800	4051
1600 x 900	4052
1600 x 1000	4053
1700 x 700	4054
1700 x 750	4055
1700 x 800	4056

L x W x (D)	article no.
	
BetteUltra 700 mm - 900 mm	
→ p. 150	
700 x 700 x 25	5719
750 x 750 x 25	5529
800 x 700 x 25	5679
800 x 750 x 25	5669
800 x 800 x 25	5830
850 x 850 x 25	1589
900 x 600 x 25	8600
900 x 700 x 25	5709
900 x 750 x 25	5840
900 x 800 x 25	8750
900 x 850 x 25	1559
900 x 900 x 25	5930

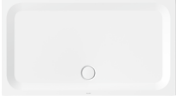
	
BetteUltra 1000 mm - 1100 mm	
→ p. 152	
1000 x 700 x 25	5879
1000 x 750 x 25	1650
1000 x 800 x 25	5490
1000 x 900 x 25	1660
1000 x 1000 x 25	5940
1050 x 750 x 35	8710
1100 x 700 x 35	8725
1100 x 750 x 35	8727
1100 x 800 x 35	8729
1100 x 900 x 35	8630
1100 x 1000 x 35	8737
1100 x 1100 x 35	8743


	
BetteUltra 1200 mm - 1300 mm	
→ p. 154	
1200 x 700 x 35	5979
1200 x 750 x 35	1670
1200 x 800 x 35	1680
1200 x 900 x 35	1260
1200 x 1000 x 35	8660
1200 x 1100 x 35	8664
1200 x 1200 x 35	8720
1300 x 700 x 35	5784
1300 x 750 x 35	5785
1300 x 800 x 35	5786
1300 x 900 x 35	5795
1300 x 1000 x 35	5788
1300 x 1300 x 35	5826

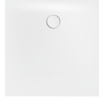
Showers

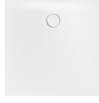
L x W x (D)	article no.
	
BetteUltra 1400 mm - 1500 mm	
→ p. 156	
1400 x 700 x 35	5824
1400 x 750 x 35	5814
1400 x 800 x 35	5804
1400 x 900 x 35	5834
1400 x 1000 x 35	5838
1400 x 1400 x 35	5828
1500 x 700 x 35	5914
1500 x 750 x 35	5924
1500 x 800 x 35	5932
1500 x 900 x 35	5934
1500 x 1000 x 35	5944
1500 x 1500 x 35	5984

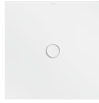
	
BetteUltra 1600 mm - 1700 mm	
→ p. 158	
1600 x 700 x 35	5951
1600 x 750 x 35	5953
1600 x 800 x 35	5955
1600 x 900 x 35	5961
1600 x 1000 x 35	5967
1700 x 700 x 35	5992
1700 x 750 x 35	5996
1700 x 800 x 35	5971
1700 x 900 x 35	5998
1700 x 1000 x 35	5806

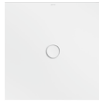
	
BetteUltra 1800 mm - 2000 mm	
→ p. 160	
1800 x 800 x 35	5986
1800 x 900 x 35	5982
1800 x 1000 x 35	5808
1900 x 900 x 35	5973
2000 x 900 x 35	5974

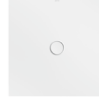
	
BetteFloor Side 900 mm - 1200 mm	
→ p. 162	
900 x 900	3381
1000 x 800	3388
1000 x 900	3385
1000 x 1000	3382
1100 x 800	3374
1100 x 900	3396
1200 x 800	3387
1200 x 900	3380
1200 x 1000	3383
1200 x 1200	3391

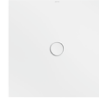
L x W x (D)	article no.
	
BetteFloor Side 1300 mm - 1500 mm	
→ p. 164	
1300 x 900	3398
1300 x 1000	3399
1400 x 800	3379
1400 x 900	3384
1400 x 1000	3386
1400 x 1200	3394
1500 x 900	3393
1500 x 1000	3389
1500 x 1200	3395

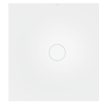
	
BetteFloor Side 1600 mm - 1800 mm	
→ p. 166	
1600 x 800	3375
1600 x 900	3390
1600 x 1000	3397
1600 x 1200	3392
1700 x 900	3376
1800 x 900	3377
1800 x 1000	3378

	
BetteFloor 800 mm - 1000 mm	
→ p. 168	
800 x 800	5831
900 x 700	5711
900 x 750	5841
900 x 800	8751
900 x 900	5931
1000 x 700	5881
1000 x 750	1651
1000 x 800	5491
1000 x 900	1661
1000 x 1000	5941


	
BetteFloor 1100 mm - 1200 mm	
→ p. 170	
1100 x 750	8732
1100 x 800	8731
1100 x 900	8631
1100 x 1000	8735
1200 x 700	1672
1200 x 750	1671
1200 x 800	1681
1200 x 900	1261
1200 x 1000	8661
1200 x 1200	8721


L x W x (D)	article no.
	
BetteFloor 1300 mm - 1500 mm	
→ p. 172	
1300 x 750	5797
1300 x 800	5793
1300 x 900	5791
1300 x 1000	5794
1400 x 700	5803
1400 x 750	5802
1400 x 800	5801
1400 x 900	5836
1400 x 1000	5851
1500 x 700	5938
1500 x 750	5939
1500 x 800	5937
1500 x 900	5936
1500 x 1000	5946

	
BetteFloor 1600 mm - 1800 mm	
→ p. 174	
1600 x 700	5948
1600 x 750	5949
1600 x 800	5957
1600 x 900	5966
1600 x 1000	5969
1700 x 750	5994
1700 x 800	5989
1700 x 900	5991
1700 x 1000	5817
1800 x 800	5981
1800 x 900	5988
1800 x 1000	5818


	
BetteAir	
→ p. 176	
900 x 900	7350
1000 x 800	7358
1000 x 900	7351
1000 x 1000	7352
1100 x 900	7359
1100 x 1000	7360
1200 x 800	7353
1200 x 900	7354
1200 x 1000	7355
1200 x 1200	7361
1400 x 900	7356
1400 x 1000	7357
1500 x 900	7362
1500 x 1000	7363
1600 x 900	7364
1600 x 1000	7365

Showers

L x W x (D)	article no.
	
BetteSupra 700 mm - 900 mm	
→ p. 178	
700 x 700 x 65	5720
750 x 700 x 65	5360
750 x 750 x 65	5530
800 x 700 x 65	5680
800 x 750 x 65	5670
800 x 800 x 65	5820
850 x 700 x 65	5780
850 x 750 x 65	1570
850 x 850 x 65	1590
900 x 600 x 65	8610
900 x 700 x 65	5710
900 x 750 x 65	5770
900 x 800 x 65	5970
900 x 850 x 65	1560
900 x 900 x 65	5920

	
BetteSupra 1000 mm - 1100 mm	
→ p. 180	
1000 x 700 x 65	5880
1000 x 750 x 65	5550
1000 x 800 x 65	5520
1000 x 900 x 65	5380
1000 x 1000 x 65	5620
1050 x 750 x 65	8690
1100 x 700 x 65	8726
1100 x 750 x 65	8728
1100 x 800 x 65	8730
1100 x 900 x 65	8640
1100 x 1000 x 65	8738
1100 x 1100 x 65	8744


	
BetteSupra 1200 mm - 1300 mm	
→ p. 182	
1200 x 700 x 65	5980
1200 x 750 x 65	5570
1200 x 800 x 65	5870
1200 x 900 x 65	1690
1200 x 1000 x 65	8670
1200 x 1100 x 65	8665
1200 x 1200 x 65	5630
1300 x 800 x 65	5787
1300 x 900 x 65	5796
1300 x 1000 x 65	5789
1300 x 1300 x 65	5827


	
BetteSupra 1400 mm - 1500 mm	
→ p. 184	
1400 x 700 x 65	5825
1400 x 750 x 65	5815
1400 x 800 x 65	5805
1400 x 900 x 65	5835
1400 x 1000 x 65	5839
1400 x 1400 x 65	5829
1500 x 700 x 65	5915
1500 x 750 x 65	5925
1500 x 800 x 65	5933
1500 x 900 x 65	5935
1500 x 1000 x 65	5945


L x W x (D)	article no.
	
BetteSupra 1600 mm - 1800 mm	
→ p. 186	
1600 x 700 x 65	5952
1600 x 750 x 65	5954
1600 x 800 x 65	5956
1600 x 900 x 65	5962
1600 x 1000 x 65	5968
1700 x 700 x 65	5993
1700 x 750 x 65	5997
1700 x 800 x 65	5972
1700 x 900 x 65	5999
1700 x 1000 x 65	5807
1800 x 800 x 65	5987
1800 x 900 x 65	5983
1800 x 1000 x 65	5809


	
BetteQuinta 700 mm - 900 mm	
→ p. 188	
700 x 700 x 150	5700
750 x 700 x 150	5370
750 x 750 x 150	5540
800 x 700 x 150	5690
800 x 750 x 150	5650
800 x 800 x 150	5800
850 x 700 x 150	5790
850 x 750 x 150	1910
850 x 850 x 150	1920
900 x 600 x 150	8620
900 x 700 x 150	5730
900 x 750 x 150	5750
900 x 800 x 150	5950
900 x 850 x 150	1900
900 x 900 x 150	5900


	
BetteQuinta 1000 mm - 1200 mm	
→ p. 190	
1000 x 700 x 150	5890
1000 x 750 x 150	5560
1000 x 800 x 150	5500
1000 x 900 x 150	5390
1000 x 1000 x 150	5600
1050 x 750 x 150	8700
1100 x 800 x 150	8740
1100 x 900 x 150	8650
1200 x 700 x 150	5990
1200 x 750 x 150	5580
1200 x 800 x 150	5850
1200 x 900 x 150	1290
1200 x 1000 x 150	8680
1200 x 1200 x 150	5640

L x W x (D)	article no.
	
BetteDelta 800 mm - 900 mm	
→ p. 192	
800 x 750 x 280	5660
800 x 800 x 280	5810
900 x 700 x 280	5740
900 x 750 x 280	5760
900 x 800 x 280	5960
900 x 900 x 280	5910


	
BetteDelta 1000 mm - 1200 mm	
→ p. 194	
1000 x 800 x 280	5510
1000 x 1000 x 280	5610
1200 x 800 x 280	5860


	
BetteCaro 35 mm, same shank length	
→ p. 196	
800 x 800 x 35	5319
900 x 900 x 35	7189
1000 x 1000 x 35	7219


	
BetteCorner 35 mm, same shank length	
→ p. 198	
800 x 800 x 35	5399
900 x 900 x 35	5429
1000 x 1000 x 35	5459


	
BetteCorner 35 mm, different shank length	
→ p. 200	
750 x 900 x 35	8119
800 x 900 x 35	5401
900 x 750 x 35	8159
900 x 800 x 35	5404
900 x 1000 x 35	5461
1000 x 900 x 35	5464

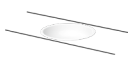
Washbasins


L x W x Internal depth	article no.
	
BetteAqua Built-In	
→ p. 204	
600 x 495 x 80	A070
600 x 495 x 80	A070 HLW1
800 x 495 x 80	A071
800 x 495 x 80	A071 HLW1
1400 x 495 x 80	A072
1400 x 495 x 80	A072 HLW1
1400 x 495 x 80	A072 HLW2


	
BetteArt Counter Top	
→ p. 206	
300 x 400 x 80	A180
600 x 400 x 100	A181
800 x 400 x 100	A182


	
BetteArt Monolith	
→ p. 208	
600 x 400 x 100	A183

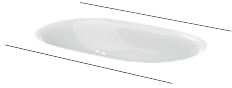
	
BetteBalance Counter Top	
→ p. 210	
425 x 425 x 143	A248


	
BetteBalance Built-in	
→ p. 212	
435 x 435 x 123	A247


	
BetteBalance Undermounted	
→ p. 214	
475 x 475 x 123	A246


	
BetteBalance Shell	
→ p. 216	
400 x 400 x 120	A249


L x W x Internal depth	article no.
	
BetteComodo Built-In	
→ p. 218	
600 x 495 x 120	A215
600 x 495 x 120	A215 HLW1
800 x 495 x 120	A216
800 x 495 x 120	A216 HLW1


	
BetteComodo Undermounted	
→ p. 220	
574 x 380 x 120	A217
774 x 380 x 120	A218


	
BetteComodo Undermounted with overflow	
→ p. 222	
574 x 380 x 120	A217 mUeL
774 x 380 x 120	A218 mUeL


	
BetteCraft Shell	
→ p. 224	
350 x 350 x 120	A240
450 x 450 x 120	A241


	
BetteCurve Shell	
→ p. 226	
320 x 320 x 115	A244
420 x 420 x 115	A245


	
BetteLiv Shell	
→ p. 228	
320 x 320 x 100	A242
420 x 420 x 100	A243

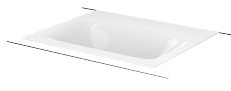
	
BetteLoft Built-In	
→ p. 230	
800 x 495 x 100	A230
800 x 495 x 100	A230 HLW1

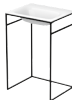
L x W x Internal depth	article no.
	
BetteLoft Undermounted	
→ p. 232	
740 x 386 x 100	A231

	
BetteLoft Undermounted with overflow	
→ p. 234	
740 x 386 x 100	A231 mUeL

	
BetteLoft Ornament Wall Mounted, 1 row	
→ p. 236	
825 x 525 x 100	A230 SWV1A
825 x 525 x 100	A230 SWV1A,HLW1

	
BetteLoft Ornament Wall Mounted, 4 rows	
→ p. 238	
815 x 510 x 100	A230 SWV4A
815 x 510 x 100	A230 SWV4A,HLW1

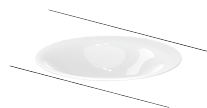
	
BetteLux Built-In	
→ p. 240	
600 x 495 x 120	A160
600 x 495 x 120	A160 HLW1
800 x 495 x 120	A161
800 x 495 x 120	A161 HLW1

	
BetteLux Shape	
→ p. 242	
600 x 495 x 120	A170
600 x 495 x 120	A170 HLW1
800 x 495 x 120	A171
800 x 495 x 120	A171 HLW1
1000 x 495 x 120	A172
1000 x 495 x 120	A172 HLW1

Washbasins

L x W x Internal depth

article no.



BetteLux Oval Built-In

→ p. 244

500 x 500 x 100

A220

500 x 500 x 100

A220 HLW1



BetteLux Oval Couture

→ p. 246

500 x 500 x 100

A220 TX

500 x 500 x 100

A220 HLW1,TX



BetteOne Built-In

→ p. 248

600 x 495 x 130

A138

600 x 495 x 130

A138 HLW1

800 x 495 x 130

A139

800 x 495 x 130

A139 HLW1



BetteOne Undermounted

→ p. 250

434 x 416 x 130

A135

587 x 408 x 130

A136

767 x 400 x 130

A137



BetteSuno Counter Top

→ p. 252

340 x 340 x 100

A250



BetteSuno Pedestal

→ p. 254

340 x 340 x 863

A250 VK1

340 x 340 x 863

A250 VK2

Single-Ended Baths

ES	BetteClassic	p. 28
ES	BetteComodo	p. 30
ES	BetteComodo with side overflow	p. 32
ES	BetteForm	p. 34
ES	BetteOcean	p. 36
ES	BetteOcean Low-Line	p. 38
ES	BetteOne Relax	p. 40
ES	BetteSelect	p. 42
ES	BetteSelect with side overflow	p. 44
ES	BetteSet	p. 46
ES	BetteStep	p. 48
ES	LaBette	p. 50

Double-Ended Baths

ES	BetteDuett	p. 52
ES	BetteDuo	p. 54
ES	BetteEve	p. 56
ES	BetteEve Oval	p. 58
ES	BetteFree	p. 60
ES	BetteLoft	p. 62
ES	BetteLux	p. 64
ES	BetteLux Oval	p. 66
ES	BetteOne	p. 68
ES	BetteSelect Duo	p. 70
ES	BetteStarlet	p. 72
ES	BetteStarlet Spirit	p. 74
ES	BetteStarlet I	p. 76
ES	BetteStarlet IV	p. 78
ES	BetteStarlet V	p. 80
ES	BetteStarlet Flair Oval	p. 82
ES	BetteStarlet Hexa	p. 84
ES	BetteStarlet Oval	p. 86

Freestanding Baths

ES	BetteArt	p. 88
ES	BetteArt I	p. 90
ES	BetteArt IV	p. 92
ES	BetteArt V	p. 94
ES	BetteEve Oval Silhouette	p. 96
ES	BetteLoft Ornament	p. 98
ES	BetteLux Oval Couture	p. 100
ES	BetteLux Oval Silhouette	p. 102
ES	BetteLux Oval I Silhouette	p. 104
ES	BetteLux Oval IV Silhouette	p. 106
ES	BetteLux Oval V Silhouette	p. 108
ES	BetteLux Shape	p. 110
ES	BettePond Silhouette	p. 112
ES	BetteStarlet I Silhouette	p. 114
ES	BetteStarlet IV Silhouette	p. 116
ES	BetteStarlet V Silhouette	p. 118
ES	BetteStarlet Oval Silhouette	p. 120
ES	BetteSuno Oval	p. 122

Feature Baths

ES	BetteBambino	p. 124
ES	BettePond	p. 126
ES	BetteSpace L	p. 132
ES	BetteSpace M	p. 130
ES	BetteSpace S	p. 128

Whirlsystems

IN	BetteAirjet Plus Whirlsystem	p. 138
IN	BetteJet Whirlsystem	p. 139
IN	BetteSpa Whirlsystem	p. 140
CP	Disinfection liquid	p. 141
IN	Whirlsystem Disinfection	p. 141

Showers

ES	BetteUltra Space 800 mm - 1100 mm	p. 144
ES	BetteUltra Space 1200 mm - 1400 mm	p. 146
ES	BetteUltra Space 1500 mm - 1700 mm	p. 148
ES	BetteUltra 700 mm - 900 mm	p. 150
ES	BetteUltra 1000 mm - 1100 mm	p. 152
ES	BetteUltra 1200 mm - 1300 mm	p. 154
ES	BetteUltra 1400 mm - 1500 mm	p. 156
ES	BetteUltra 1600 mm - 1700 mm	p. 158
ES	BetteUltra 1800 mm - 2000 mm	p. 160
ES	BetteFloor Side 900 mm - 1200 mm	p. 162
ES	BetteFloor Side 1300 mm - 1500 mm	p. 164
ES	BetteFloor Side 1600 mm - 1800 mm	p. 166
ES	BetteFloor 800 mm - 1000 mm	p. 168
ES	BetteFloor 1100 mm - 1200 mm	p. 170
ES	BetteFloor 1300 mm - 1500 mm	p. 172
ES	BetteFloor 1600 mm - 1800 mm	p. 174
ES	BetteAir	p. 176
ES	BetteSupra 700 mm - 900 mm	p. 178
ES	BetteSupra 1000 mm - 1100 mm	p. 180
ES	BetteSupra 1200 mm - 1300 mm	p. 182
ES	BetteSupra 1400 mm - 1500 mm	p. 184
ES	BetteSupra 1600 mm - 1800 mm	p. 186
ES	BetteQuinta 700 mm - 900 mm	p. 188
ES	BetteQuinta 1000 mm - 1200 mm	p. 190
ES	BetteDelta 800 mm - 900 mm	p. 192
ES	BetteDelta 1000 mm - 1200 mm	p. 194
ES	BetteCaro 35 mm, same shank length	p. 196
ES	BetteCorner 35 mm, same shank length	p. 198
ES	BetteCorner 35 mm, different shank length	p. 200

Washbasins

ES	BetteAqua Built-In	p. 204
ES	BetteArt Counter Top	p. 206
ES	BetteArt Monolith	p. 208
ES	BetteBalance Built-in	p. 212
ES	BetteBalance Counter Top	p. 210
ES	BetteBalance Shell	p. 216
ES	BetteBalance Undermounted	p. 214
ES	BetteComodo Built-In	p. 218
ES	BetteComodo Undermounted	p. 220
ES	BetteComodo Undermounted with overflow	p. 222
ES	BetteCraft Shell	p. 224
ES	BetteCurve Shell	p. 226
ES	BetteLiv Shell	p. 228
ES	BetteLoft Built-In	p. 230
ES	BetteLoft Ornament Wall Mounted, 1 row	p. 236
ES	BetteLoft Ornament Wall Mounted, 4 rows	p. 238
ES	BetteLoft Undermounted	p. 232
ES	BetteLoft Undermounted with overflow	p. 234
ES	BetteLux Built-In	p. 240
ES	BetteLux Oval Built-In	p. 244
ES	BetteLux Oval Couture	p. 246
ES	BetteLux Shape	p. 242
ES	BetteOne Built-In	p. 248
ES	BetteOne Undermounted	p. 250
ES	BetteSuno Counter Top	p. 252
ES	BetteSuno Pedestal	p. 254

Extras

EX	Antinoise System	p. 260
EX	BetteAnti-Slip Pro	p. 258
EX	BetteAnti-Slip Sense	p. 259
EX	BetteGlaze® Plus	p. 260
EX	BetteSeal+	p. 262
EX	BetteUpstand	p. 264
EX	BetteUpstand installation aid	p. 267
EX	BetteUpstand ordering aid	p. 265
EX	BetteUpstand shortened	p. 266
EX	BetteUpstand tailor-made	p. 266
EX	Drillings	p. 261
EX	Individual laser logo	p. 260
EX	Minimum support	p. 263
EX	Minimum-support for BetteAir	p. 263
EX	Overview BetteUpstand, Special size, Profi Corner	p. 272
EX	Overview Extras	p. 282
EX	Profi Corner	p. 268
EX	Profi Corner ordering aid	p. 269
EX	Special depth	p. 260
EX	Special size	p. 270

Waste and overflow

IN	BetteSensory	p. 305
CP	Hair Trap for wastes	p. 292
CP	Spare covers waste fittings showers	p. 290
IN	Waste fittings showers	p. 286
IN	Waste and overflow fittings for baths	p. 294

Installation aid

IN	BetteLevel Locks	p. 317
IN	BetteLevel installation feet	p. 316
IN	BetteSimple Fix	p. 315
IN	Feet	p. 308
IN	Foam Central Support System	p. 327
IN	Foot-System	p. 320
IN	Installation Box BetteAir	p. 306
IN	Installation System Universal	p. 319
IN	Installation box BetteAir installation aid	p. 307
IN	Installation planning flush-to-floor showers	p. 314
IN	Minimum support Flex	p. 324
IN	Planning help installation systems	p. 310
IN	Planning help installation systems	p. 311
IN	Planning help installation systems	p. 312
IN	Planning help installation systems	p. 313
IN	Sealing Set BetteUpstand installation flush-to-floor	p. 326
IN	Sealing System	p. 325
IN	Sealing tape on roll	p. 326
IN	Sound insulation set	p. 327
IN	Support foot BetteLevel	p. 318
IN	Tile adhesive divider	p. 327
IN	Wall brackets	p. 327

Washbasin accessories

CP	Overflow cover	p. 330
IN	Pushwaste	p. 330
CP	Spare cover	p. 329
IN	Unslotted Waste	p. 328
IN	Waste and overflow fitting BetteFlow	p. 331

Equipment / surface

CP	Blind plugs for grip holes	p. 335
IN	Grips	p. 332
IN	LED-Colour Spot Light	p. 335
CP	Relax Bath cushion	p. 335

Cleaning products

CP	Bath Rubber	p. 337
CP	Care Cloth	p. 336
CP	Enamel Cleaner	p. 336
CP	Enamel Spray Cleaner	p. 336
CP	Remalle	p. 337

Furniture

CP	Standing Mirror	p. 338
CP	Stool	p. 339
CP	Towel Rail	p. 338
CP	Wooden Inserts	p. 339

Rectangular baths

1050 × 650 mm	BetteStep	p. 48	1700 × 700 mm	BetteSelect with side overflow - foot end right, overflow rear	p. 44
1080 × 730 mm	LaBette	p. 50		BetteStarlet	p. 72
1180 × 730 mm	BetteStep	p. 48	1700 × 730 mm	BetteClassic	p. 28
	LaBette	p. 50		BetteForm	p. 34
1200 × 700 mm	LaBette	p. 50	1700 × 750 mm	BetteClassic	p. 28
1240 × 700 mm	LaBette	p. 50		BetteComodo	p. 30
1300 × 700 mm	LaBette	p. 50		BetteComodo with side overflow - foot end right, overflow front	p. 32
1400 × 700 mm	BetteClassic	p. 28		BetteComodo with side overflow - foot end right, overflow rear	p. 32
	BetteForm	p. 34		BetteDuett	p. 52
1500 × 700 mm	BetteClassic	p. 28		BetteForm	p. 34
	BetteForm	p. 34		BetteFree	p. 60
	BetteOcean - foot end right, overflow rear	p. 36		BetteLux	p. 64
	BetteOcean - foot end right, overflow front	p. 36		BetteLux Shape	p. 110
	BetteOcean Low-Line - foot end right, overflow rear	p. 38		BetteOcean - foot end right, overflow rear	p. 36
	BetteOcean Low-Line - foot end right, overflow front	p. 38		BetteOcean - foot end right, overflow front	p. 36
1500 × 750 mm	BetteSet	p. 46		BetteOcean Low-Line - foot end right, overflow rear	p. 38
1500 × 800 mm	BetteStarlet	p. 72		BetteOcean Low-Line - foot end right, overflow front	p. 38
1570 × 700 mm	BetteStarlet	p. 72		BetteOne	p. 68
1600 × 650 mm	BetteStarlet	p. 72		BetteSelect	p. 42
1600 × 700 mm	BetteClassic	p. 28		BetteSelect with side overflow - foot end right, overflow front	p. 44
	BetteForm	p. 34		BetteSelect with side overflow - foot end right, overflow rear	p. 44
	BetteOcean - foot end right, overflow rear	p. 36		BetteSet	p. 46
	BetteOcean - foot end right, overflow front	p. 36		BetteStarlet	p. 72
	BetteOcean Low-Line - foot end right, overflow rear	p. 38		BetteStarlet Spirit	p. 74
	BetteOcean Low-Line - foot end right, overflow front	p. 38	1700 × 800 mm	BetteClassic	p. 28
	BetteOne	p. 68		BetteComodo	p. 30
	BetteSelect	p. 42		BetteComodo with side overflow - foot end right, overflow front	p. 32
	BetteSelect with side overflow - foot end right, overflow front	p. 44		BetteComodo with side overflow - foot end right, overflow rear	p. 32
	BetteSelect with side overflow - foot end right, overflow rear	p. 44		BetteDuett	p. 52
	BetteSet	p. 46		BetteForm	p. 34
	BetteStarlet	p. 72		BetteLoft	p. 62
1600 × 750 mm	BetteClassic	p. 28		BetteOcean - foot end right, overflow rear	p. 36
	BetteForm	p. 34		BetteOcean - foot end right, overflow front	p. 36
	BetteSet	p. 46		BetteOcean Low-Line - foot end right, overflow rear	p. 38
1650 × 700 mm	BetteStarlet	p. 72		BetteOcean Low-Line - foot end right, overflow front	p. 38
1650 × 750 mm	BetteClassic	p. 28		BetteSet	p. 46
	BetteForm	p. 34	1750 × 750 mm	BetteClassic	p. 28
	BetteSet	p. 46		BetteForm	p. 34
1700 × 700 mm	BetteClassic	p. 28	1750 × 800 mm	BetteStarlet	p. 72
	BetteForm	p. 34	1800 × 700 mm	BetteClassic	p. 28
	BetteOcean - foot end right, overflow rear	p. 36	1800 × 750 mm	BetteClassic	p. 28
	BetteOcean - foot end right, overflow front	p. 36		BetteStarlet	p. 72
	BetteOcean Low-Line - foot end right, overflow rear	p. 38	1800 × 800 mm	BetteClassic	p. 28
	BetteOcean Low-Line - foot end right, overflow front	p. 38		BetteComodo	p. 30
	BetteOne	p. 68		BetteComodo with side overflow - foot end right, overflow front	p. 32
	BetteSelect	p. 42			
	BetteSelect with side overflow - foot end right, overflow front	p. 44			

1800 × 800 mm	BetteComodo with side overflow - foot end right, overflow rear	p. 32
	BetteDuo	p. 54
	BetteForm	p. 34
	BetteFree	p. 60
	BetteLoft	p. 62
	BetteLux	p. 64
	BetteLux Shape	p. 110
	BetteOcean - foot end right, overflow rear	p. 36
	BetteOcean - foot end right, overflow front	p. 36
	BetteOcean Low-Line - foot end right, overflow rear	p. 38
	BetteOcean Low-Line - foot end right, overflow front	p. 38
	BetteOne	p. 68
	BetteOne Relax	p. 40
	BetteSelect	p. 42
	BetteSelect Duo	p. 70
	BetteSelect with side overflow - foot end right, overflow front	p. 44
	BetteSelect with side overflow - foot end right, overflow rear	p. 44
	BetteSet	p. 46
	BetteStarlet	p. 72
	BetteStarlet Spirit	p. 74
1800 × 1000 mm	BetteEve	p. 56
1810 × 810 mm	BetteLoft Ornament	p. 98
1850 × 850 mm	BetteStarlet	p. 72
1900 × 800 mm	BetteClassic	p. 28
	BetteForm	p. 34
1900 × 900 mm	BetteComodo	p. 30
	BetteComodo with side overflow - foot end right, overflow front	p. 32
	BetteComodo with side overflow - foot end right, overflow rear	p. 32
	BetteFree	p. 60
	BetteLoft	p. 62
	BetteLux	p. 64
	BetteLux Shape	p. 110
	BetteOne	p. 68
	BetteOne Relax	p. 40
	BetteStarlet	p. 72
2000 × 900 mm	BetteOne Relax	p. 40
2000 × 1000 mm	BetteFree	p. 60

Oval baths

1500 × 800 mm	BetteStarlet Oval	p. 86
	BetteStarlet Oval Silhouette	p. 120
1500 × 1500 mm	BettePond	p. 126
	BettePond Silhouette	p. 112
1580 × 680 mm	BetteStarlet Flair Oval	p. 82
1650 × 750 mm	BetteStarlet Oval	p. 86
	BetteStarlet Oval Silhouette	p. 120
1680 × 730 mm	BetteStarlet Flair Oval	p. 82
1700 × 750 mm	BetteLux Oval	p. 66
	BetteLux Oval Silhouette	p. 102
1750 × 800 mm	BetteStarlet Oval	p. 86
	BetteStarlet Oval Silhouette	p. 120
1775 × 775 mm	BetteSuno Oval	p. 122
1780 × 780 mm	BetteStarlet Flair Oval	p. 82
1800 × 800 mm	BetteLux Oval	p. 66
	BetteLux Oval Couture	p. 100
	BetteLux Oval Silhouette	p. 102
1800 × 1000 mm	BetteEve Oval	p. 58
	BetteEve Oval Silhouette	p. 96
1805 × 755 mm	BetteArt	p. 88
1850 × 850 mm	BetteStarlet Oval	p. 86
	BetteStarlet Oval Silhouette	p. 120
1880 × 880 mm	BetteStarlet Flair Oval	p. 82
1900 × 900 mm	BetteLux Oval	p. 66
	BetteLux Oval Silhouette	p. 102
1950 × 950 mm	BetteStarlet Oval	p. 86
	BetteStarlet Oval Silhouette	p. 120

Hexagonal baths

1880 × 700 mm	BetteStarlet Hexa	p. 84
2000 × 750 mm	BetteStarlet Hexa	p. 84
2100 × 800 mm	BetteStarlet Hexa	p. 84

Corner baths

1650 × 750 mm	BetteStarlet IV Silhouette	p. 116
	BetteStarlet V Silhouette	p. 118
1750 × 800 mm	BetteLux Oval IV Silhouette	p. 106
	BetteLux Oval V Silhouette	p. 108
	BetteStarlet IV Silhouette	p. 116
	BetteStarlet V Silhouette	p. 118
1850 × 800 mm	BetteArt IV	p. 92
	BetteArt V	p. 94
1850 × 850 mm	BetteLux Oval IV Silhouette	p. 106
	BetteLux Oval V Silhouette	p. 108
	BetteStarlet IV Silhouette	p. 116
	BetteStarlet V Silhouette	p. 118
1950 × 950 mm	BetteLux Oval IV Silhouette	p. 106
	BetteLux Oval V Silhouette	p. 108
	BetteStarlet IV Silhouette	p. 116
	BetteStarlet V Silhouette	p. 118

Free-standing baths

1500 × 800 mm	BetteStarlet Oval Silhouette	p. 120
1500 × 1500 mm	BettePond Silhouette	p. 112
1650 × 750 mm	BetteStarlet Oval Silhouette	p. 120
1700 × 750 mm	BetteLux Oval Silhouette	p. 102
	BetteLux Shape	p. 110
1750 × 800 mm	BetteStarlet Oval Silhouette	p. 120
1775 × 775 mm	BetteSuno Oval	p. 122
1800 × 800 mm	BetteLux Oval Couture	p. 100
	BetteLux Oval Silhouette	p. 102
	BetteLux Shape	p. 110
1800 × 1000 mm	BetteEve Oval Silhouette	p. 96
1805 × 755 mm	BetteArt	p. 88
1810 × 810 mm	BetteLoft Ornament	p. 98
1850 × 850 mm	BetteStarlet Oval Silhouette	p. 120
1900 × 900 mm	BetteLux Oval Silhouette	p. 102
	BetteLux Shape	p. 110
1950 × 950 mm	BetteStarlet Oval Silhouette	p. 120

Mini baths

1050 × 650 mm	BetteStep	p. 48
1080 × 730 mm	LaBette	p. 50
1180 × 730 mm	BetteStep	p. 48
	LaBette	p. 50
1200 × 700 mm	LaBette	p. 50
1240 × 700 mm	LaBette	p. 50
1300 × 700 mm	LaBette	p. 50
1570 × 650 mm	BetteBambino - left	p. 124
	BetteBambino - right	p. 124
1570 × 700 mm	BetteBambino - left	p. 124
	BetteBambino - right	p. 124
1700 × 750 mm	BetteSpace S - left	p. 128
	BetteSpace S - right	p. 128
1700 × 900 mm	BetteSpace M - left	p. 130
	BetteSpace M - right	p. 130

Bath and shower combinations

1400 × 700 mm	BetteClassic	p. 28
	BetteForm	p. 34
1500 × 700 mm	BetteClassic	p. 28
	BetteForm	p. 34
	BetteOcean - foot end right, overflow rear	p. 36
	BetteOcean - foot end right, overflow front	p. 36
	BetteOcean Low-Line - foot end right, overflow rear	p. 38
	BetteOcean Low-Line - foot end right, overflow front	p. 38
1500 × 750 mm	BetteSet	p. 46
1600 × 700 mm	BetteClassic	p. 28
	BetteForm	p. 34
	BetteOcean - foot end right, overflow rear	p. 36
	BetteOcean - foot end right, overflow front	p. 36
	BetteOcean Low-Line - foot end right, overflow rear	p. 38
	BetteOcean Low-Line - foot end right, overflow front	p. 38
	BetteSelect	p. 42
	BetteSelect with side overflow - foot end right, overflow front	p. 44
	BetteSelect with side overflow - foot end right, overflow rear	p. 44
	BetteSet	p. 46
1600 × 750 mm	BetteClassic	p. 28
	BetteForm	p. 34
	BetteSet	p. 46
1650 × 750 mm	BetteClassic	p. 28
	BetteForm	p. 34
	BetteSet	p. 46
1700 × 700 mm	BetteClassic	p. 28
	BetteForm	p. 34
	BetteOcean - foot end right, overflow rear	p. 36
	BetteOcean - foot end right, overflow front	p. 36
	BetteOcean Low-Line - foot end right, overflow rear	p. 38
	BetteOcean Low-Line - foot end right, overflow front	p. 38
	BetteSelect	p. 42
	BetteSelect with side overflow - foot end right, overflow front	p. 44
	BetteSelect with side overflow - foot end right, overflow rear	p. 44
1700 × 730 mm	BetteClassic	p. 28
	BetteForm	p. 34
1700 × 750 mm	BetteClassic	p. 28
	BetteComodo	p. 30
	BetteForm	p. 34
	BetteOcean - foot end right, overflow rear	p. 36
	BetteOcean - foot end right, overflow front	p. 36
	BetteOcean Low-Line - foot end right, overflow rear	p. 38
	BetteOcean Low-Line - foot end right, overflow front	p. 38
	BetteSelect	p. 42
	BetteSelect with side overflow - foot end right, overflow front	p. 44

1700 x 750 mm	BetteSelect with side overflow - foot end right, overflow rear	p. 44
	BetteSet	p. 46
1700 x 800 mm	BetteClassic	p. 28
	BetteComodo	p. 30
	BetteForm	p. 34
	BetteOcean - foot end right, overflow rear	p. 36
	BetteOcean - foot end right, overflow front	p. 36
	BetteOcean Low-Line - foot end right, overflow rear	p. 38
	BetteOcean Low-Line - foot end right, overflow front	p. 38
	BetteSet	p. 46
1700 x 900 mm	BetteSpace M - left	p. 130
	BetteSpace M - right	p. 130
1750 x 750 mm	BetteClassic	p. 28
	BetteForm	p. 34
1800 x 700 mm	BetteClassic	p. 28
1800 x 750 mm	BetteClassic	p. 28
1800 x 800 mm	BetteClassic	p. 28
	BetteComodo	p. 30
	BetteForm	p. 34
	BetteOcean - foot end right, overflow rear	p. 36
	BetteOcean - foot end right, overflow front	p. 36
	BetteOcean Low-Line - foot end right, overflow rear	p. 38
	BetteOcean Low-Line - foot end right, overflow front	p. 38
	BetteSelect	p. 42
	BetteSelect with side overflow - foot end right, overflow front	p. 44
	BetteSelect with side overflow - foot end right, overflow rear	p. 44
	BetteSet	p. 46
1900 x 800 mm	BetteClassic	p. 28
	BetteForm	p. 34
1900 x 900 mm	BetteComodo	p. 30

Special baths

1500 x 1500 mm	BettePond	p. 126
	BettePond Silhouette	p. 112
1570 x 650 mm	BetteBambino - left	p. 124
	BetteBambino - right	p. 124
1570 x 700 mm	BetteBambino - left	p. 124
	BetteBambino - right	p. 124
1650 x 750 mm	BetteStarlet I	p. 76
	BetteStarlet I Silhouette	p. 114
	BetteStarlet IV	p. 78
	BetteStarlet IV Silhouette	p. 116
	BetteStarlet V	p. 80
	BetteStarlet V Silhouette	p. 118
1700 x 750 mm	BetteSpace S - left	p. 128
	BetteSpace S - right	p. 128
1700 x 800 mm	BetteLux Oval I Silhouette	p. 104
1700 x 900 mm	BetteSpace M - left	p. 130
	BetteSpace M - right	p. 130
1700 x 1300 mm	BetteSpace L - left	p. 132
	BetteSpace L - right	p. 132
1750 x 800 mm	BetteLux Oval IV Silhouette	p. 106
	BetteLux Oval V Silhouette	p. 108
	BetteStarlet I	p. 76
	BetteStarlet I Silhouette	p. 114
	BetteStarlet IV	p. 78
	BetteStarlet IV Silhouette	p. 116
	BetteStarlet V	p. 80
	BetteStarlet V Silhouette	p. 118
1800 x 850 mm	BetteLux Oval I Silhouette	p. 104
1805 x 800 mm	BetteArt I	p. 90
1850 x 800 mm	BetteArt IV	p. 92
	BetteArt V	p. 94
1850 x 850 mm	BetteLux Oval IV Silhouette	p. 106
	BetteLux Oval V Silhouette	p. 108
	BetteStarlet I	p. 76
	BetteStarlet I Silhouette	p. 114
	BetteStarlet IV	p. 78
	BetteStarlet IV Silhouette	p. 116
	BetteStarlet V	p. 80
	BetteStarlet V Silhouette	p. 118
1900 x 950 mm	BetteLux Oval I Silhouette	p. 104
1950 x 950 mm	BetteLux Oval IV Silhouette	p. 106
	BetteLux Oval V Silhouette	p. 108
	BetteStarlet I Silhouette	p. 114
	BetteStarlet IV Silhouette	p. 116
	BetteStarlet V Silhouette	p. 118

Undermounted baths

1050 × 650 mm	BetteStep	p. 48	1700 × 750 mm	BetteComodo with side overflow - foot end right, overflow front	p. 32
1080 × 730 mm	LaBette	p. 50		BetteComodo with side overflow - foot end right, overflow rear	p. 32
1180 × 730 mm	BetteStep	p. 48		BetteDuett	p. 52
	LaBette	p. 50		BetteForm	p. 34
1200 × 700 mm	LaBette	p. 50		BetteOcean - foot end right, overflow rear	p. 36
1240 × 700 mm	LaBette	p. 50		BetteOcean - foot end right, overflow front	p. 36
1300 × 700 mm	LaBette	p. 50		BetteOcean Low-Line - foot end right, overflow rear	p. 38
1400 × 700 mm	BetteClassic	p. 28		BetteOcean Low-Line - foot end right, overflow front	p. 38
	BetteForm	p. 34		BetteOne	p. 68
1500 × 700 mm	BetteClassic	p. 28		BetteSelect	p. 42
	BetteForm	p. 34		BetteSelect Duo	p. 70
	BetteOcean - foot end right, overflow rear	p. 36		BetteSelect with side overflow - foot end right, overflow front	p. 44
	BetteOcean - foot end right, overflow front	p. 36		BetteSelect with side overflow - foot end right, overflow rear	p. 44
	BetteOcean Low-Line - foot end right, overflow rear	p. 38		BetteSpace S - left	p. 128
	BetteOcean Low-Line - foot end right, overflow front	p. 38		BetteSpace S - right	p. 128
1500 × 750 mm	BetteSet	p. 46		BetteStarlet	p. 72
1500 × 800 mm	BetteStarlet	p. 72	1700 × 800 mm	BetteClassic	p. 28
	BetteStarlet Oval	p. 86		BetteComodo	p. 30
1570 × 650 mm	BetteBambino - left	p. 124		BetteComodo with side overflow - foot end right, overflow front	p. 32
	BetteBambino - right	p. 124		BetteComodo with side overflow - foot end right, overflow rear	p. 32
1570 × 700 mm	BetteBambino - left	p. 124		BetteForm	p. 34
	BetteBambino - right	p. 124		BetteOcean - foot end right, overflow rear	p. 36
	BetteStarlet	p. 72		BetteOcean - foot end right, overflow front	p. 36
1600 × 650 mm	BetteStarlet	p. 72		BetteOcean Low-Line - foot end right, overflow rear	p. 38
1600 × 700 mm	BetteClassic	p. 28		BetteOcean Low-Line - foot end right, overflow front	p. 38
	BetteForm	p. 34	1700 × 900 mm	BetteSpace M - left	p. 130
	BetteOne	p. 68		BetteSpace M - right	p. 130
	BetteSelect	p. 42	1700 × 1300 mm	BetteSpace L - left	p. 132
	BetteSelect with side overflow - foot end right, overflow front	p. 44		BetteSpace L - right	p. 132
	BetteSelect with side overflow - foot end right, overflow rear	p. 44	1750 × 750 mm	BetteClassic	p. 28
	BetteSet	p. 46		BetteForm	p. 34
	BetteStarlet	p. 72	1750 × 800 mm	BetteStarlet	p. 72
1600 × 750 mm	BetteClassic	p. 28		BetteStarlet Oval	p. 86
	BetteForm	p. 34		BetteClassic	p. 28
	BetteSet	p. 46	1800 × 700 mm	BetteClassic	p. 28
1650 × 700 mm	BetteStarlet	p. 72	1800 × 750 mm	BetteClassic	p. 28
1650 × 750 mm	BetteClassic	p. 28		BetteStarlet	p. 72
	BetteForm	p. 34		BetteClassic	p. 28
	BetteStarlet Oval	p. 86	1800 × 800 mm	BetteClassic	p. 28
1700 × 700 mm	BetteClassic	p. 28		BetteComodo	p. 30
	BetteForm	p. 34		BetteComodo with side overflow - foot end right, overflow front	p. 32
	BetteOne	p. 68		BetteComodo with side overflow - foot end right, overflow rear	p. 32
	BetteSelect	p. 42		BetteDuo	p. 54
	BetteSelect with side overflow - foot end right, overflow front	p. 44		BetteForm	p. 34
	BetteSelect with side overflow - foot end right, overflow rear	p. 44		BetteOne	p. 68
	BetteStarlet	p. 72		BetteOne Relax	p. 40
1700 × 730 mm	BetteClassic	p. 28		BetteSelect	p. 42
	BetteForm	p. 34		BetteSelect Duo	p. 70
1700 × 750 mm	BetteClassic	p. 28			
	BetteComodo	p. 30			

1800 x 800 mm	BetteSelect with side overflow - foot end right, overflow front	p. 44
	BetteSelect with side overflow - foot end right, overflow rear	p. 44
	BetteSet	p. 46
	BetteStarlet	p. 72
1850 x 850 mm	BetteStarlet	p. 72
	BetteStarlet Oval	p. 86
1900 x 800 mm	BetteClassic	p. 28
	BetteForm	p. 34
1900 x 900 mm	BetteComodo	p. 30
	BetteComodo with side overflow - foot end right, overflow front	p. 32
	BetteComodo with side overflow - foot end right, overflow rear	p. 32
	BetteOne	p. 68
	BetteOne Relax	p. 40
	BetteStarlet	p. 72
1950 x 950 mm	BetteStarlet Oval	p. 86
2000 x 900 mm	BetteOne Relax	p. 40

Rectangular shower trays

700 x 700 mm	BetteUltra 700-900 mm	p. 150
	BetteSupra 700-900 mm	p. 178
	BetteQuinta 700-900 mm	p. 188
750 x 700 mm	BetteSupra 700-900 mm	p. 178
	BetteQuinta 700-900 mm	p. 188
750 x 750 mm	BetteUltra 700-900 mm	p. 150
	BetteSupra 700-900 mm	p. 178
	BetteQuinta 700-900 mm	p. 188
800 x 700 mm	BetteUltra 700-900 mm	p. 150
	BetteSupra 700-900 mm	p. 178
	BetteQuinta 700-900 mm	p. 188
800 x 750 mm	BetteUltra 700-900 mm	p. 150
	BetteSupra 700-900 mm	p. 178
	BetteQuinta 700-900 mm	p. 188
	BetteDelta 800-900 mm	p. 192
	BetteUltra Space	p. 144
800 x 800 mm	BetteFloor	p. 168
	BetteUltra 700-900 mm	p. 150
	BetteSupra 700-900 mm	p. 178
	BetteQuinta 700-900 mm	p. 188
	BetteDelta 800-900 mm	p. 192
	BetteUltra Space	p. 144
850 x 700 mm	BetteSupra 700-900 mm	p. 178
	BetteQuinta 700-900 mm	p. 188
850 x 750 mm	BetteSupra 700-900 mm	p. 178
	BetteQuinta 700-900 mm	p. 188
850 x 850 mm	BetteUltra 700-900 mm	p. 150
	BetteSupra 700-900 mm	p. 178
	BetteQuinta 700-900 mm	p. 188
900 x 600 mm	BetteUltra 700-900 mm	p. 150
	BetteSupra 700-900 mm	p. 178
	BetteQuinta 700-900 mm	p. 188
900 x 700 mm	BetteFloor	p. 168
	BetteUltra 700-900 mm	p. 150
	BetteSupra 700-900 mm	p. 178
	BetteQuinta 700-900 mm	p. 188
	BetteDelta 800-900 mm	p. 192
	BetteUltra Space	p. 144
900 x 750 mm	BetteFloor	p. 168
	BetteUltra 700-900 mm	p. 150
	BetteSupra 700-900 mm	p. 178
	BetteQuinta 700-900 mm	p. 188
	BetteDelta 800-900 mm	p. 192
	BetteUltra Space	p. 144
900 x 800 mm	BetteFloor	p. 168
	BetteUltra 700-900 mm	p. 150
	BetteSupra 700-900 mm	p. 178
	BetteQuinta 700-900 mm	p. 188
	BetteDelta 800-900 mm	p. 192
	BetteUltra Space	p. 144
900 x 850 mm	BetteUltra 700-900 mm	p. 150
	BetteSupra 700-900 mm	p. 178
	BetteQuinta 700-900 mm	p. 188
	BetteUltra Space	p. 144

900 × 900 mm	BetteFloor	p. 168	1100 × 900 mm	BetteFloor	p. 170
	BetteFloor Side	p. 162		BetteFloor Side	p. 162
	BetteAir	p. 176		BetteAir	p. 176
	BetteUltra 700-900 mm	p. 150		BetteUltra 1050-1500 mm	p. 152
	BetteSupra 700-900 mm	p. 178		BetteSupra 1000-1500 mm	p. 180
	BetteQuinta 700-900 mm	p. 188		BetteQuinta 1000-1200 mm	p. 190
	BetteDelta 800-900 mm	p. 192		BetteUltra Space	p. 144
	BetteUltra Space	p. 144			
1000 × 700 mm	BetteFloor	p. 168	1100 × 1000 mm	BetteFloor	p. 170
	BetteUltra 1000 mm	p. 152		BetteAir	p. 176
	BetteSupra 1000-1500 mm	p. 180		BetteUltra 1050-1500 mm	p. 152
	BetteQuinta 1000-1200 mm	p. 190		BetteSupra 1000-1500 mm	p. 180
	BetteUltra Space	p. 144		BetteUltra Space	p. 144
1000 × 750 mm	BetteFloor	p. 168	1100 × 1100 mm	BetteUltra 1050-1500 mm	p. 152
	BetteUltra 1000 mm	p. 152		BetteSupra 1000-1500 mm	p. 180
	BetteSupra 1000-1500 mm	p. 180	1200 × 700 mm	BetteFloor	p. 170
	BetteQuinta 1000-1200 mm	p. 190		BetteUltra 1050-1500 mm	p. 154
	BetteUltra Space	p. 144		BetteSupra 1000-1500 mm	p. 182
1000 × 800 mm	BetteFloor	p. 168	1200 × 750 mm	BetteQuinta 1000-1200 mm	p. 190
	BetteFloor Side	p. 162		BetteUltra Space	p. 146
	BetteAir	p. 176		BetteFloor	p. 170
	BetteUltra 1000 mm	p. 152		BetteUltra 1050-1500 mm	p. 154
	BetteSupra 1000-1500 mm	p. 180		BetteSupra 1000-1500 mm	p. 182
	BetteQuinta 1000-1200 mm	p. 190		BetteQuinta 1000-1200 mm	p. 190
	BetteDelta 1000-1200 mm	p. 194		BetteUltra Space	p. 146
	BetteUltra Space	p. 144			
1000 × 900 mm	BetteFloor	p. 168	1200 × 800 mm	BetteFloor	p. 170
	BetteFloor Side	p. 162		BetteFloor Side	p. 162
	BetteAir	p. 176		BetteAir	p. 176
	BetteUltra 1000 mm	p. 152		BetteUltra 1050-1500 mm	p. 154
	BetteSupra 1000-1500 mm	p. 180		BetteSupra 1000-1500 mm	p. 182
	BetteQuinta 1000-1200 mm	p. 190		BetteQuinta 1000-1200 mm	p. 190
	BetteDelta 1000-1200 mm	p. 194		BetteUltra Space	p. 146
	BetteUltra Space	p. 144			
1000 × 1000 mm	BetteFloor	p. 168	1200 × 900 mm	BetteFloor	p. 170
	BetteFloor Side	p. 162		BetteFloor Side	p. 162
	BetteAir	p. 176		BetteAir	p. 176
	BetteUltra 1000 mm	p. 152		BetteUltra 1050-1500 mm	p. 154
	BetteSupra 1000-1500 mm	p. 180		BetteSupra 1000-1500 mm	p. 182
	BetteQuinta 1000-1200 mm	p. 190		BetteQuinta 1000-1200 mm	p. 190
	BetteDelta 1000-1200 mm	p. 194		BetteUltra Space	p. 146
	BetteUltra Space	p. 144			
1050 × 750 mm	BetteUltra 1050-1500 mm	p. 152	1200 × 1000 mm	BetteFloor	p. 170
	BetteSupra 1000-1500 mm	p. 180		BetteFloor Side	p. 162
	BetteQuinta 1000-1200 mm	p. 190		BetteAir	p. 176
1100 × 700 mm	BetteUltra 1050-1500 mm	p. 152	1200 × 1100 mm	BetteUltra 1050-1500 mm	p. 154
	BetteSupra 1000-1500 mm	p. 180		BetteSupra 1000-1500 mm	p. 182
1100 × 750 mm	BetteFloor	p. 170		1200 × 1200 mm	BetteQuinta 1000-1200 mm
	BetteUltra 1050-1500 mm	p. 152	BetteUltra Space		p. 146
	BetteSupra 1000-1500 mm	p. 180			
1100 × 800 mm	BetteUltra Space	p. 144	1300 × 700 mm	BetteFloor	p. 170
	BetteFloor	p. 170		BetteFloor Side	p. 162
	BetteFloor Side	p. 162		BetteAir	p. 176
	BetteUltra 1050-1500 mm	p. 152		BetteUltra 1050-1500 mm	p. 154
	BetteSupra 1000-1500 mm	p. 180		BetteSupra 1000-1500 mm	p. 182
	BetteQuinta 1000-1200 mm	p. 190		BetteQuinta 1000-1200 mm	p. 190
	BetteUltra Space	p. 144		BetteUltra Space	p. 146

1300 x 750 mm	BetteFloor	p. 172	1500 x 900 mm	BetteFloor Side	p. 164
	BetteUltra 1050-1500 mm	p. 154		BetteAir	p. 176
1300 x 800 mm	BetteFloor	p. 172	1500 x 1000 mm	BetteUltra 1050-1500 mm	p. 156
	BetteUltra 1050-1500 mm	p. 154		BetteSupra 1000-1500 mm	p. 184
	BetteSupra 1000-1500 mm	p. 182		BetteUltra Space	p. 148
	BetteUltra Space	p. 146		BetteFloor	p. 172
1300 x 900 mm	BetteFloor	p. 172	BetteFloor Side	p. 164	
	BetteFloor Side	p. 164	BetteAir	p. 176	
	BetteUltra 1050-1500 mm	p. 154	BetteUltra 1050-1500 mm	p. 156	
	BetteSupra 1000-1500 mm	p. 182	BetteSupra 1000-1500 mm	p. 184	
	BetteUltra Space	p. 146	BetteUltra Space	p. 148	
1300 x 1000 mm	BetteFloor	p. 172	1500 x 1200 mm	BetteFloor Side	p. 164
	BetteFloor Side	p. 164	1500 x 1500 mm	BetteUltra 1050-1500 mm	p. 156
	BetteUltra 1050-1500 mm	p. 154	1600 x 700 mm	BetteFloor	p. 174
	BetteSupra 1000-1500 mm	p. 182	BetteUltra 1600-2000 mm	p. 158	
1300 x 1300 mm	BetteUltra 1050-1500 mm	p. 154	BetteSupra 1600-1800 mm	p. 186	
	BetteSupra 1000-1500 mm	p. 182	BetteUltra Space	p. 148	
	BetteFloor	p. 172	1600 x 750 mm	BetteFloor	p. 174
1400 x 700 mm	BetteUltra 1050-1500 mm	p. 156	BetteUltra 1600-2000 mm	p. 158	
	BetteSupra 1000-1500 mm	p. 184	BetteSupra 1600-1800 mm	p. 186	
	BetteUltra Space	p. 146	BetteUltra Space	p. 148	
	BetteFloor	p. 172	1600 x 800 mm	BetteFloor	p. 174
1400 x 750 mm	BetteFloor Side	p. 164	BetteFloor Side	p. 166	
	BetteUltra 1050-1500 mm	p. 156	BetteUltra 1600-2000 mm	p. 158	
	BetteSupra 1000-1500 mm	p. 184	BetteSupra 1600-1800 mm	p. 186	
	BetteUltra Space	p. 146	BetteUltra Space	p. 148	
1400 x 800 mm	BetteFloor	p. 172	1600 x 900 mm	BetteFloor	p. 174
	BetteFloor Side	p. 164	BetteFloor Side	p. 166	
	BetteUltra 1050-1500 mm	p. 156	BetteAir	p. 176	
	BetteSupra 1000-1500 mm	p. 184	BetteUltra 1600-2000 mm	p. 158	
1400 x 900 mm	BetteUltra Space	p. 146	BetteSupra 1600-1800 mm	p. 186	
	BetteFloor	p. 172	BetteUltra Space	p. 148	
	BetteFloor Side	p. 164	1600 x 1000 mm	BetteFloor	p. 174
	BetteAir	p. 176	BetteFloor Side	p. 166	
	BetteUltra 1050-1500 mm	p. 156	BetteAir	p. 176	
1400 x 1000 mm	BetteSupra 1000-1500 mm	p. 184	BetteUltra 1600-2000 mm	p. 158	
	BetteUltra Space	p. 146	BetteSupra 1600-1800 mm	p. 186	
	BetteFloor	p. 172	BetteUltra Space	p. 148	
	BetteFloor Side	p. 164	1600 x 1200 mm	BetteFloor Side	p. 166
	BetteAir	p. 176	1700 x 700 mm	BetteUltra 1600-2000 mm	p. 158
1400 x 1200 mm	BetteUltra 1050-1500 mm	p. 156	BetteSupra 1600-1800 mm	p. 186	
	BetteSupra 1000-1500 mm	p. 184	BetteUltra Space	p. 148	
	BetteUltra Space	p. 146	1700 x 750 mm	BetteFloor	p. 174
	BetteFloor Side	p. 164	BetteUltra 1600-2000 mm	p. 158	
	BetteAir	p. 176	BetteSupra 1600-1800 mm	p. 186	
1400 x 1400 mm	BetteUltra 1050-1500 mm	p. 156	BetteUltra Space	p. 148	
	BetteSupra 1000-1500 mm	p. 184	1700 x 800 mm	BetteFloor	p. 174
	BetteUltra Space	p. 146	BetteUltra 1600-2000 mm	p. 158	
	BetteFloor	p. 172	BetteSupra 1600-1800 mm	p. 186	
1500 x 700 mm	BetteFloor Side	p. 164	BetteUltra Space	p. 148	
	BetteUltra 1050-1500 mm	p. 156	1700 x 900 mm	BetteFloor	p. 174
	BetteSupra 1000-1500 mm	p. 184	BetteFloor Side	p. 166	
	BetteUltra Space	p. 146	BetteUltra 1600-2000 mm	p. 158	
1500 x 750 mm	BetteFloor	p. 172	BetteSupra 1600-1800 mm	p. 186	
	BetteUltra 1050-1500 mm	p. 156	BetteUltra Space	p. 148	
	BetteSupra 1000-1500 mm	p. 184	1700 x 1000 mm	BetteFloor	p. 174
	BetteUltra Space	p. 146	BetteFloor Side	p. 166	
1500 x 800 mm	BetteFloor	p. 172	BetteUltra 1600-2000 mm	p. 158	
	BetteUltra 1050-1500 mm	p. 156	BetteSupra 1600-1800 mm	p. 186	
	BetteSupra 1000-1500 mm	p. 184	BetteUltra Space	p. 148	
	BetteUltra Space	p. 148	1500 x 900 mm	BetteFloor	p. 172

1700 x 1000 mm	BetteSupra 1600-1800 mm	p. 186
1800 x 800 mm	BetteFloor	p. 174
	BetteUltra 1600-2000 mm	p. 160
1800 x 900 mm	BetteSupra 1600-1800 mm	p. 186
	BetteFloor	p. 174
	BetteFloor Side	p. 166
	BetteUltra 1600-2000 mm	p. 160
	BetteSupra 1600-1800 mm	p. 186
1800 x 1000 mm	BetteFloor	p. 174
	BetteFloor Side	p. 166
	BetteUltra 1600-2000 mm	p. 160
1900 x 900 mm	BetteSupra 1600-1800 mm	p. 186
1900 x 900 mm	BetteUltra 1600-2000 mm	p. 160
2000 x 900 mm	BetteUltra 1600-2000 mm	p. 160

Quadrant shower trays

750 x 900 mm	BetteCorner 35 mm, different shank length	p. 200
800 x 800 mm	BetteCorner 35 mm, same shank length	p. 198
800 x 900 mm	BetteCorner 35 mm, different shank length	p. 200
900 x 750 mm	BetteCorner 35 mm, different shank length	p. 200
900 x 800 mm	BetteCorner 35 mm, different shank length	p. 200
900 x 900 mm	BetteCorner 35 mm, same shank length	p. 198
900 x 1000 mm	BetteCorner 35 mm, different shank length	p. 200
1000 x 900 mm	BetteCorner 35 mm, different shank length	p. 200
1000 x 1000 mm	BetteCorner 35 mm, same shank length	p. 198

Pentagonal shower trays

800 x 800 mm	BetteCaro 35 mm, same shank length	p. 196
900 x 900 mm	BetteCaro 35 mm, same shank length	p. 196
1000 x 1000 mm	BetteCaro 35 mm, same shank length	p. 196

Counter top washbasins

300 x 400 mm	BetteArt Counter Top	p. 206
320 x 320 mm	BetteCurve Shell	p. 226
	BetteLiv Shell	p. 228
340 x 340 mm	BetteSuno Counter Top	p. 252
350 x 350 mm	BetteCraft Shell	p. 224
400 x 400 mm	BetteBalance Shell	p. 216
420 x 420 mm	BetteCurve Shell	p. 226
	BetteLiv Shell	p. 228
425 x 425 mm	BetteBalance Counter Top	p. 210
450 x 450 mm	BetteCraft Shell	p. 224
600 x 400 mm	BetteArt Counter Top	p. 206
800 x 400 mm	BetteArt Counter Top	p. 206

Built-in washbasins

435 x 435 mm	BetteBalance Built-in	p. 212
500 x 500 mm	BetteLux Oval Built-In	p. 244
	BetteLux Oval Built-In - 1 drilling	p. 244
600 x 495 mm	BetteAqua Built-In	p. 204
	BetteAqua Built-In - 1 drilling	p. 204
	BetteComodo Built-In	p. 218
	BetteComodo Built-In - 1 drilling	p. 218
	BetteLux Built-In	p. 240
800 x 495 mm	BetteLux Built-In - 1 drilling	p. 240
	BetteOne Built-In	p. 248
	BetteOne Built-In - 1 drilling	p. 248
	BetteAqua Built-In	p. 204
	BetteAqua Built-In - 1 drilling	p. 204
	BetteComodo Built-In	p. 218
	BetteComodo Built-In - 1 drilling	p. 218
	BetteLoft Built-In	p. 230
	BetteLoft Built-In - 1 drilling	p. 230
	BetteLux Built-In	p. 240
	BetteOne Built-In	p. 248
	BetteOne Built-In - 1 drilling	p. 248
1400 x 495 mm	BetteAqua Built-In	p. 204
	BetteAqua Built-In - 1 drilling	p. 204
	BetteAqua Built-In - 2 drillings	p. 204

Wall-mounted washbasins

815 x 510 mm	BetteLoft Ornament Wall-mounted, 4 rows	p. 238
	BetteLoft Ornament Wall-mounted, 4 rows - 1 drilling	p. 238
825 x 525 mm	BetteLoft Ornament Wall-mounted, 1 row	p. 236
	BetteLoft Ornament Wall-mounted, 1 row - 1 drilling	p. 236

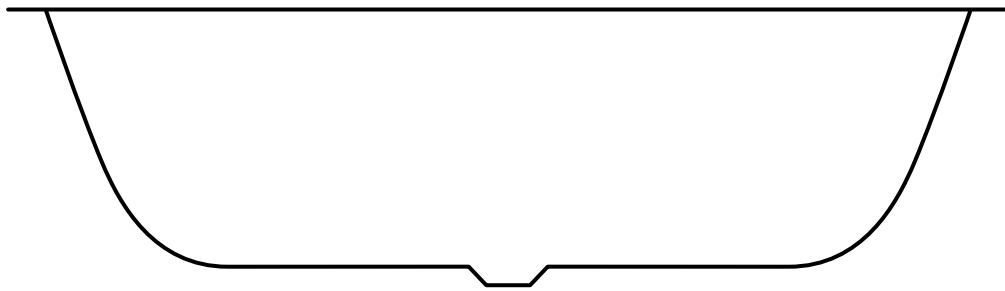
Undermounted washbasins

434 x 416 mm	BetteOne Undermounted	p. 250
475 x 475 mm	BetteBalance Undermounted	p. 214
574 x 380 mm	BetteComodo Undermounted	p. 220
	BetteComodo Undermounted with overflow	p. 222
587 x 408 mm	BetteOne Undermounted	p. 250
740 x 386 mm	BetteLoft Undermounted	p. 232
	BetteLoft Undermounted with overflow	p. 234
767 x 400 mm	BetteOne Undermounted	p. 250
774 x 380 mm	BetteComodo Undermounted	p. 220
	BetteComodo Undermounted with overflow	p. 222

Free-standing washbasins

340 × 340 mm	BetteSuno Pedestal	p. 254
	BetteSuno Pedestal - 1 drilling	p. 254
500 × 500 mm	BetteLux Oval Couture	p. 246
	BetteLux Oval Couture - 1 drilling	p. 246
600 × 400 mm	BetteArt Monolith	p. 208
600 × 495 mm	BetteLux Shape	p. 242
	BetteLux Shape - 1 drilling	p. 242
800 × 495 mm	BetteLux Shape	p. 242
	BetteLux Shape - 1 drilling	p. 242
1000 × 495 mm	BetteLux Shape	p. 242
	BetteLux Shape - 1 drilling	p. 242

Baths



Single-Ended Baths

28	BetteClassic
30	BetteComodo
32	BetteComodo with side overflow
34	BetteForm
36	BetteOcean
38	BetteOcean Low-Line
40	BetteOne Relax
42	BetteSelect
44	BetteSelect with side overflow
46	BetteSet
48	BetteStep
50	LaBette

Double-Ended Baths

52	BetteDuett
54	BetteDuo
56	BetteEve
58	BetteEve Oval
60	BetteFree
62	BetteLoft
64	BetteLux
66	BetteLux Oval
68	BetteOne
70	BetteSelect Duo
72	BetteStarlet
74	BetteStarlet Spirit
76	BetteStarlet I
78	BetteStarlet IV
80	BetteStarlet V
82	BetteStarlet Flair Oval
84	BetteStarlet Hexa
86	BetteStarlet Oval

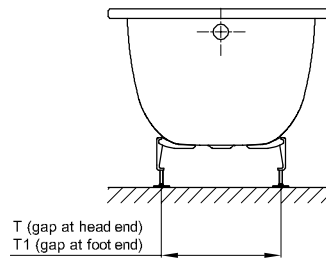
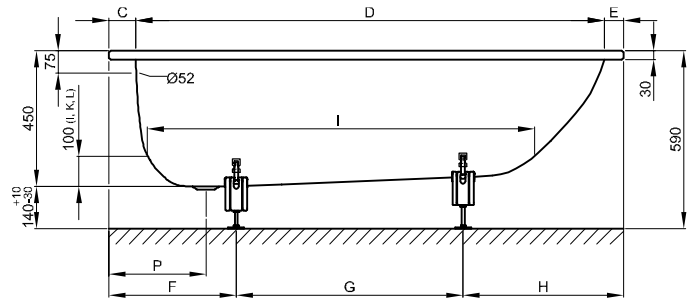
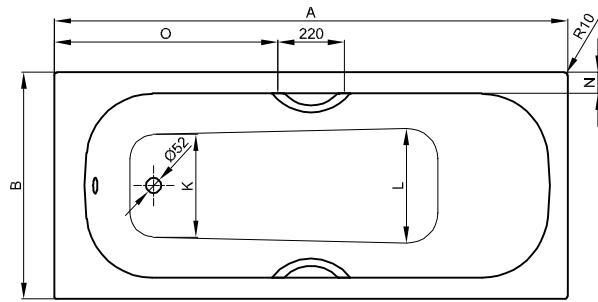
Freestanding Baths

88	BetteArt
90	BetteArt I
92	BetteArt IV
94	BetteArt V
96	BetteEve Oval Silhouette
98	BetteLoft Ornament
100	BetteLux Oval Couture
102	BetteLux Oval Silhouette
104	BetteLux Oval I Silhouette
106	BetteLux Oval IV Silhouette
108	BetteLux Oval V Silhouette
110	BetteLux Shape
112	BettePond Silhouette
114	BetteStarlet I Silhouette
116	BetteStarlet IV Silhouette
118	BetteStarlet V Silhouette
120	BetteStarlet Oval Silhouette
122	BetteSuno Oval

Feature Baths

124	BetteBambino
126	BettePond
128	BetteSpace S
130	BetteSpace M
132	BetteSpace L

BetteClassic



Information

For professional installation we recommend the use of the original bath feet B23-1500.

For our baths we recommend the enamelled BetteMono waste fittings with push-to-open/close function.

This bath is suitable for undermount installation after on-site inspection and proper installation. We can provide you with the relevant cut-out data on request.

The BetteClassic, 1900 x 800 x 450 mm, article no. 1273, is not available with BetteUpstand or in special size.

Scope of delivery

Including noise-reducing pads.

Dimensions

article no.	dimensions in mm	A	B	C	D	E	F	G	H	I	K	L	N	O	P	T	T1	volume*
1266	1400 x 700 x 450	1400	700	100	1230	70	420	425	555	965	450	475	65	590	320	405	395	92 litre
1268	1500 x 700 x 450	1500	700	100	1330	70	400	520	580	1070	450	475	70	640	320	390	360	108 litre
1267	1600 x 700 x 450	1600	700	100	1430	70	400	620	580	1155	450	470	65	690	320	430	415	125 litre
1269	1600 x 750 x 450	1600	750	100	1430	70	400	620	580	1170	470	495	65	690	320	440	405	136 litre
1265	1650 x 750 x 450	1650	750	120	1430	100	440	600	610	1170	470	495	65	710	340	420	405	136 litre
3108	1700 x 700 x 450	1700	700	100	1530	70	400	720	580	1265	450	475	65	740	320	395	410	140 litre
3109	1700 x 730 x 450	1700	730	100	1530	70	420	700	580	1265	450	475	80	740	320	403	405	140 litre
3110	1700 x 750 x 450	1700	750	90	1555	55	420	690	590	1275	505	525	65	740	320	405	360	162 litre
3111	1700 x 800 x 450	1700	800	90	1555	55	420	690	590	1275	505	525	90	740	320	385	360	162 litre
3112	1750 x 750 x 450	1750	750	120	1555	75	450	690	610	1275	505	525	65	770	350	385	360	162 litre
1271	1800 x 700 x 450	1800	700	100	1635	65	460	730	610	1360	420	450	70	790	320	420	420	163 litre
1272	1800 x 750 x 450	1800	750	100	1635	65	460	730	610	1360	420	450	95	790	320	420	420	163 litre
1270	1800 x 800 x 450	1800	800	100	1635	65	430	790	580	1360	550	570	65	790	320	455	400	197 litre
1273	1900 x 800 x 450	1900	800	100	1730	70	440	860	600	1460	485	510	70	840	320	455	440	197 litre

*bath capacity = volume + 70 litre human water displacement.

Dimensions

PG	article no.	dimensions in mm	weight (net)	pcs/pallet	White 000 → cover	Key Colours → cover	Bespoke Colours → cover
ES	1266	1400 x 700 x 450	38.6 kg	10	836 €	990 €	1.131 €
ES	1268	1500 x 700 x 450	41.2 kg	10	836 €	990 €	1.131 €
ES	1267	1600 x 700 x 450	44 kg	10	836 €	990 €	1.131 €
ES	1269	1600 x 750 x 450	45.8 kg	10	836 €	990 €	1.131 €
ES	1265	1650 x 750 x 450	46.6 kg	10	836 €	990 €	1.131 €
ES	3108	1700 x 700 x 450	46.7 kg	10	836 €	990 €	1.131 €
ES	3109	1700 x 730 x 450	47.5 kg	10	836 €	990 €	1.131 €
ES	3110	1700 x 750 x 450	48.3 kg	12	836 € ▲	990 €	1.131 €
ES	3111	1700 x 800 x 450	50.6 kg	10	836 €	990 €	1.131 €
ES	3112	1750 x 750 x 450	49.6 kg	10	878 €	1.032 €	1.173 €
ES	1271	1800 x 700 x 450	49 kg	10	878 € ▲	1.032 €	1.173 €
ES	1272	1800 x 750 x 450	52.7 kg	14	878 € ▲	1.032 €	1.173 €
ES	1270	1800 x 800 x 450	53.4 kg	10	920 € ▲	1.074 €	1.215 €
ES	1273	1900 x 800 x 450	55.2 kg	10	1.039 €	1.193 €	1.334 €

Extras

PG	code	description	see	price
EX	AS	BetteAnti-Slip Sense - class C*	p. 259	165 €
EX	PLUS	BetteGlaze® Plus	p. 260	138 €
EX	HLZ	Tapholes and drilling as per special drawing	p. 261	203 €
EX		BetteUpstand	p. 264	from 367 €
EX		Special size	p. 270	350 €
EX		Profi Corner	p. 268	from 350 €
IN		Whirlsystems	p. 134	

*Not available with Glaze® Plus. Only available in combination with White (000).

Accessories

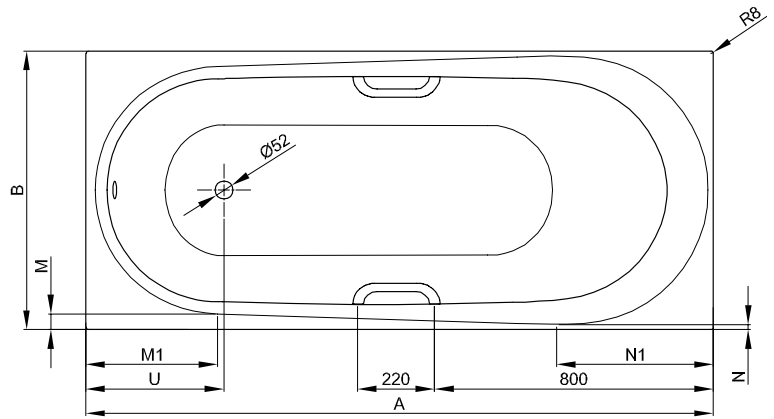
PG	article no.	description	see	price
IN	B23-1500	Bath feet universal	p. 308	73 €
IN	B080-901	Grips B080, Chrome*	p. 332	227 €
IN	B122-901	Grips B122, Chrome*	p. 334	227 €
IN	B57-0372	Sealing System for baths	p. 325	103 €
IN	B57-0408	Sealing tape on roll 4 m	p. 326	23 €
IN	B57-0407	Tile adhesive protection tape 3300 x 120 mm	p. 327	32 €
IN	Z0008669	Wall Brackets	p. 327	39 €

* The baths need to be ordered with the ending 2GR.

Waste and overflow fittings

PG	article no.	description	see	Chrome 901	White 000	Key Colours → cover
IN	B640-	BetteMono push control bath waste and overflow fitting, Ø52 mm, enamelled	p. 294		296 €	296 €
IN	B641-	BetteMono Flow push control bath waste and overflow filling fitting, Ø52 mm, enamelled	p. 295		559 €	559 €
IN	B600-	Bath waste and overflow fitting Ø 52 mm, 560 mm	p. 300	146 €		
IN	B604-	Bath filling, waste and overflow fitting unit Ø 52 mm, 560 mm	p. 301	392 €		

BetteComodo



Information

For professional installation we recommend the use of the original bath feet B23-1500.

For our baths we recommend the enamelled BetteMono waste fittings with push-to-open/close function.

This bath is suitable for undermount installation after on-site inspection and proper installation. We can provide you with the relevant cut-out data on request.

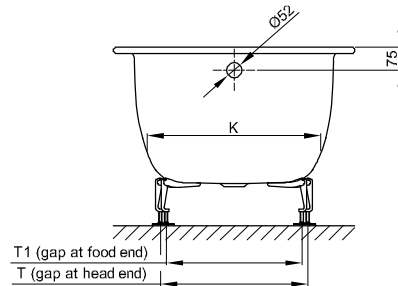
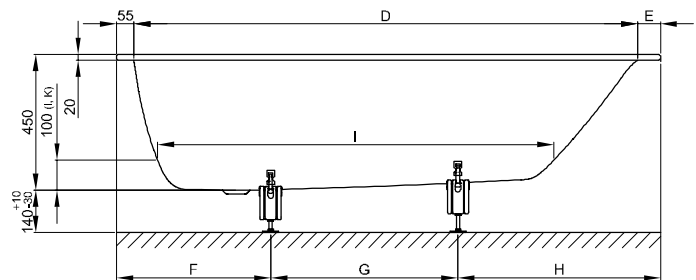
The BetteComodo, 1900 x 900 x 450 mm, article no. 1252, is not available with BetteUpstand or in special size.

Available with matching washbasin BetteComodo.
→ p. 218

Scope of delivery

Including noise-reducing pads.

Design: Tesseraux + Partner



Dimensions

article no.	dimensions in mm	A	B	D	E	F	G	H	I	K	M	M1	N	N1	T	T1	U	volume*
1250	1700 x 750 x 450	1700	750	1580	65	470	580	650	1250	540	43	355	15	420	445	445	374	155 litre
1253	1700 x 800 x 450	1700	800	1580	65	470	580	650	1250	540	70	355	40	420	445	445	374	155 litre
1251	1800 x 800 x 450	1800	800	1670	75	470	660	670	1310	575	45	375	15	450	460	495	395	182 litre
1252	1900 x 900 x 450	1900	900	1770	75	520	660	720	1380	650	50	410	15	520	530	585	432	228 litre

*bath capacity = volume + 70 litre human water displacement.

Dimensions

PG	article no.	dimensions in mm	weight (net)	pcs/pallet	White 000 → cover	Key Colours → cover	Bespoke Colours → cover
ES	1250	1700 x 750 x 450	45 kg	7	729 € ▲	883 €	1.024 €
ES	1253	1700 x 800 x 450	50 kg	7	729 € ▲	883 €	1.024 €
ES	1251	1800 x 800 x 450	52.5 kg	7	802 € ▲	956 €	1.097 €
ES	1252	1900 x 900 x 450	52.8 kg	7	1.006 €	1.160 €	1.301 €

Extras

PG	code	description	see	price
EX	AS	BetteAnti-Slip Sense - class C*	p. 259	165 €
EX	PLUS	BetteGlaze® Plus	p. 260	138 €
EX	HLZ	Tapholes and drilling as per special drawing	p. 261	203 €
EX		BetteUpstand	p. 264	from 367 €
EX		Special size	p. 270	350 €
EX		Profi Corner	p. 268	from 350 €
IN		Whirlsystems	p. 134	

*Not available with Glaze® Plus. Only available in combination with White (000).

Accessories

PG	article no.	description	see	price
IN	B23-1500	Bath feet universal	p. 308	73 €
IN	B080-901	Grips B080, Chrome*	p. 332	227 €
IN	B122-901	Grips B122, Chrome*	p. 334	227 €
IN	B57-0372	Sealing System for baths	p. 325	103 €
IN	B57-0408	Sealing tape on roll 4 m	p. 326	23 €
IN	B57-0407	Tile adhesive protection tape 3300 x 120 mm	p. 327	32 €
IN	Z0008669	Wall Brackets	p. 327	39 €

* The baths need to be ordered with the ending 2GR.

Waste and overflow fittings

PG	article no.	description	see	Chrome 901	White 000	Key Colours → cover
IN	B640-	BetteMono push control bath waste and overflow fitting, Ø52 mm, enamelled	p. 294		296 €	296 €
IN	B641-	BetteMono Flow push control bath waste and overflow filling fitting, Ø52 mm, enamelled	p. 295		559 €	559 €
IN	B602-	Bath waste and overflow fitting Ø 52 mm, 725 mm	p. 300	150 €		
IN	B606-	Bath filling, waste and overflow fitting unit Ø 52 mm, 725 mm	p. 303	412 €		

BetteComodo with side overflow



N° 1: foot end right, overflow front



N° 2: foot end right, overflow rear

Information

For professional installation we recommend the use of the original bath feet B23-1500.

For our baths we recommend the enamelled BetteMono waste fittings with push-to-open/close function.

This bath is suitable for undermount installation after on-site inspection and proper installation. We can provide you with the relevant cut-out data on request.

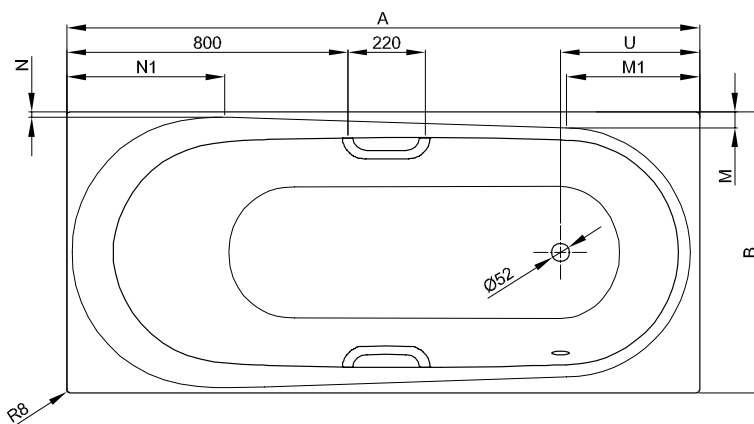
The BetteComodo with side overflow, 1900 x 900 x 450 mm, article no. 1622 and 1642, are not available with BetteUpstand or in special size.

Available with matching washbasin BetteComodo.
→ p. 218

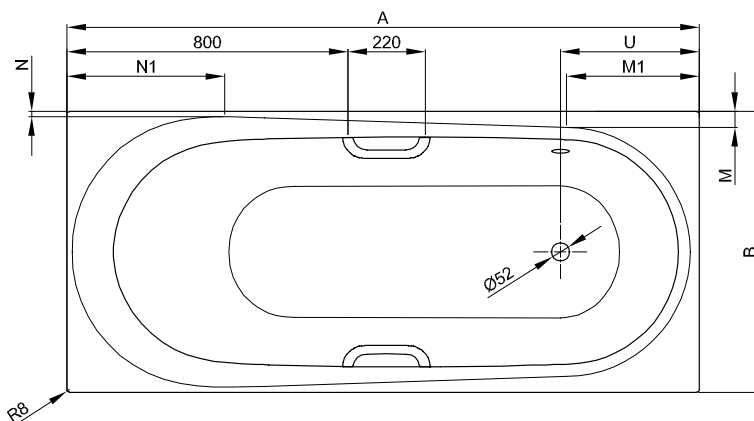
Scope of delivery

Including noise-reducing pads.

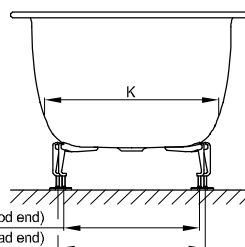
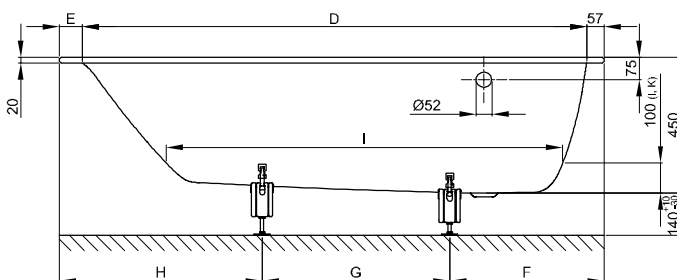
Design: Tesseraux + Partner



N° 1: foot end right, overflow front



N° 2: foot end right, overflow rear



T1 (gap at food end)
T (gap at head end)

Dimensions

article no.	dimensions in mm	variant	A	B	D	E	F	G	H	I	K	M	M1	N	N1	T	T1	U	volume*
1620	1700 x 750 x 450	N° 1	1700	750	1580	65	470	580	650	1250	540	43	355	15	420	445	445	374	155 litre
1640	1700 x 750 x 450	N° 2	1700	750	1580	65	470	580	650	1250	540	43	355	15	420	445	445	374	155 litre
1623	1700 x 800 x 450	N° 1	1700	800	1580	65	470	580	650	1250	540	70	355	40	420	445	445	374	155 litre
1643	1700 x 800 x 450	N° 2	1700	800	1580	65	470	580	650	1250	540	70	355	40	420	445	445	374	155 litre
1621	1800 x 800 x 450	N° 1	1800	800	1670	75	470	660	670	1310	575	45	375	15	450	470	500	395	182 litre
1641	1800 x 800 x 450	N° 2	1800	800	1670	75	470	660	670	1310	575	45	375	15	450	470	500	395	182 litre
1622	1900 x 900 x 450	N° 1	1900	900	1770	75	520	660	720	1380	650	50	410	15	520	530	585	432	228 litre
1642	1900 x 900 x 450	N° 2	1900	900	1770	75	520	660	720	1380	650	50	410	15	520	530	585	432	228 litre

*bath capacity = volume + 70 litre human water displacement.

Dimensions

PG	article no.	dimensions in mm	variant	weight (net)	pcs/pallet	White 000 → cover	Key Colours → cover	Bespoke Colours → cover
ES	1620	1700 x 750 x 450	Nº 1	45 kg	7	729 €	883 €	1.024 €
ES	1640	1700 x 750 x 450	Nº 2	45 kg	7	729 €	883 €	1.024 €
ES	1623	1700 x 800 x 450	Nº 1	50 kg	7	729 €	883 €	1.024 €
ES	1643	1700 x 800 x 450	Nº 2	50 kg	7	729 €	883 €	1.024 €
ES	1621	1800 x 800 x 450	Nº 1	52.5 kg	7	802 €	956 €	1.097 €
ES	1641	1800 x 800 x 450	Nº 2	52.5 kg	7	802 €	956 €	1.097 €
ES	1622	1900 x 900 x 450	Nº 1	52.8 kg	7	1.006 €	1.160 €	1.301 €
ES	1642	1900 x 900 x 450	Nº 2	52.8 kg	7	1.006 €	1.160 €	1.301 €

Extras

PG	code	description	see	price
EX	AS	BetteAnti-Slip Sense - class C*	p. 259	165 €
EX	PLUS	BetteGlaze® Plus	p. 260	138 €
EX	HLZ	Tapholes and drilling as per special drawing	p. 261	203 €
EX		BetteUpstand	p. 264	from 367 €
EX		Special size	p. 270	350 €
EX		Profi Corner	p. 268	from 350 €
IN		Whirlsystems	p. 134	

*Not available with Glaze® Plus. Only available in combination with White (000).

Accessories

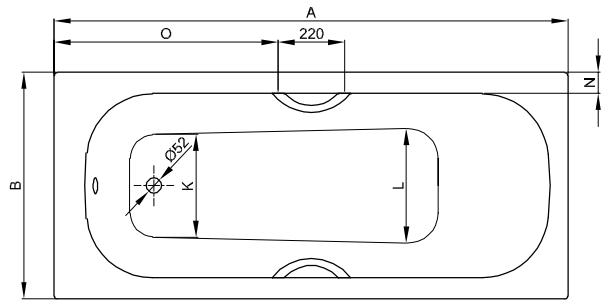
PG	article no.	description	see	price
IN	B23-1500	Bath feet universal	p. 308	73 €
IN	B080-901	Grips B080, Chrome*	p. 332	227 €
IN	B122-901	Grips B122, Chrome*	p. 334	227 €
IN	B57-0372	Sealing System for baths	p. 325	103 €
IN	B57-0408	Sealing tape on roll 4 m	p. 326	23 €
IN	B57-0407	Tile adhesive protection tape 3300 x 120 mm	p. 327	32 €
IN	Z0008669	Wall Brackets	p. 327	39 €

* The baths need to be ordered with the ending 2GR.

Waste and overflow fittings

PG	article no.	description	see	Chrome 901	White 000	Key Colours → cover
IN	B640-	BetteMono push control bath waste and overflow fitting, Ø52 mm, enamelled	p. 294		296 €	296 €
IN	B641-	BetteMono Flow push control bath waste and overflow filling fitting, Ø52 mm, enamelled	p. 295		559 €	559 €
IN	B602-	Bath waste and overflow fitting Ø 52 mm, 725 mm	p. 300	150 €		
IN	B606-	Bath filling, waste and overflow fitting unit Ø 52 mm, 725 mm	p. 303	412 €		

BetteForm



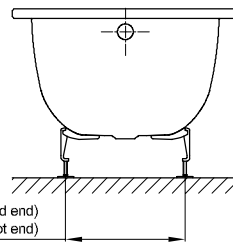
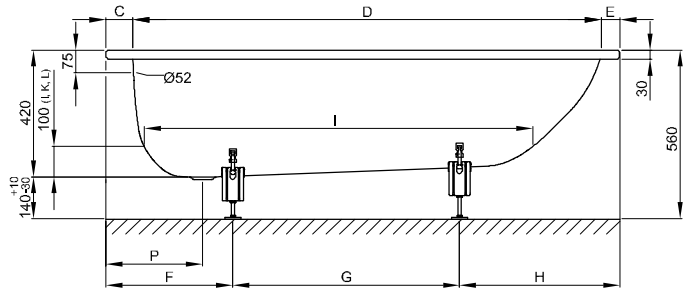
Information

For professional installation we recommend the use of the original bath feet B23-1500.

For our baths we recommend the enamelled BetteMono waste fittings with push-to-open/close function.

This bath is suitable for undermount installation after on-site inspection and proper installation. We can provide you with the relevant cut-out data on request.

The BetteForm, 1900 x 800 x 420 mm, article no. 2951, is not available with BetteUpstand or in special size.



T (gap at head end)
T1 (gap at foot end)

Dimensions

article no.	dimensions in mm	A	B	C	D	E	F	G	H	I	K	L	N	O	P	T	T1	volume*
2940	1400 x 700 x 420	1400	700	100	1230	70	420	425	555	965	450	475	65	590	320	395	375	74 litre
2941	1500 x 700 x 420	1500	700	100	1330	70	400	520	580	1070	450	475	65	640	320	390	385	89 litre
2942	1600 x 700 x 420	1600	700	100	1430	70	400	620	580	1155	450	475	65	690	320	400	385	103 litre
2943	1600 x 750 x 420	1600	750	100	1430	70	400	620	580	1170	470	498	65	690	320	425	405	113 litre
2944	1650 x 750 x 420	1650	750	120	1430	100	420	620	610	1170	470	498	65	710	340	445	425	113 litre
2945	1700 x 700 x 420	1700	700	100	1530	70	420	700	580	1265	450	475	65	740	320	355	405	118 litre
2946	1700 x 730 x 420	1700	730	100	1530	70	420	700	580	1265	450	475	80	740	320	355	350	118 litre
2947	1700 x 750 x 420	1700	750	90	1555	55	420	690	590	1280	505	525	65	740	320	390	390	140 litre
2948	1700 x 800 x 420	1700	800	90	1555	55	420	690	590	1280	505	525	90	740	320	385	360	140 litre
2949	1750 x 750 x 420	1750	750	120	1555	75	450	690	610	1280	505	525	65	770	350	390	375	140 litre
2950	1800 x 800 x 420	1800	800	100	1635	65	430	790	580	1360	555	570	65	790	320	460	423	170 litre
2951	1900 x 800 x 420	1900	800	100	1730	70	440	860	600	1460	485	510	70	840	320	455	440	167 litre

*bath capacity = volume + 70 litre human water displacement.

Dimensions

PG	article no.	dimensions in mm	weight (net)	pcs/pallet	White 000 → cover	Key Colours → cover	Bespoke Colours → cover
ES	2940	1400 x 700 x 420	37 kg	12	607 € ▲	761 €	902 €
ES	2941	1500 x 700 x 420	39.6 kg	12	607 € ▲	761 €	902 €
ES	2942	1600 x 700 x 420	42.3 kg	12	607 € ▲	761 €	902 €
ES	2943	1600 x 750 x 420	44.1 kg	12	607 € ▲	761 €	902 €
ES	2944	1650 x 750 x 420	44.9 kg	12	607 € ▲	761 €	902 €
ES	2945	1700 x 700 x 420	44.9 kg	12	607 € ▲	761 €	902 €
ES	2946	1700 x 730 x 420	45.8 kg	12	607 €	761 €	902 €
ES	2947	1700 x 750 x 420	44 kg	12	607 € ▲	761 €	902 €
ES	2948	1700 x 800 x 420	48.8 kg	12	607 € ▲	761 €	902 €
ES	2949	1750 x 750 x 420	47.9 kg	12	637 € ▲	791 €	932 €
ES	2950	1800 x 800 x 420	51.6 kg	12	634 € ▲	788 €	929 €
ES	2951	1900 x 800 x 420	53 kg	12	754 € ▲	908 €	1.049 €

Extras

PG	code	description	see	price
EX	AS	BetteAnti-Slip Sense - class C*	p. 259	165 €
EX	PLUS	BetteGlaze® Plus	p. 260	138 €
EX	HLZ	Tapholes and drilling as per special drawing	p. 261	203 €
EX		BetteUpstand	p. 264	from 367 €
EX		Special size	p. 270	350 €
EX		Profi Corner	p. 268	from 350 €
EX	AD	Antinoise for baths	p. 260	90 €
IN		Whirlsystems	p. 134	

*Not available with Glaze® Plus. Only available in combination with White (000).

Accessories

PG	article no.	description	see	price
IN	B23-1500	Bath feet universal	p. 308	73 €
IN	B080-901	Grips B080, Chrome*	p. 332	227 €
IN	B122-901	Grips B122, Chrome*	p. 334	227 €
IN	B57-0372	Sealing System for baths	p. 325	103 €
IN	B57-0408	Sealing tape on roll 4 m	p. 326	23 €
IN	B57-0407	Tile adhesive protection tape 3300 x 120 mm	p. 327	32 €
IN	Z0008669	Wall Brackets	p. 327	39 €

* The baths need to be ordered with the ending 2GR.

Waste and overflow fittings

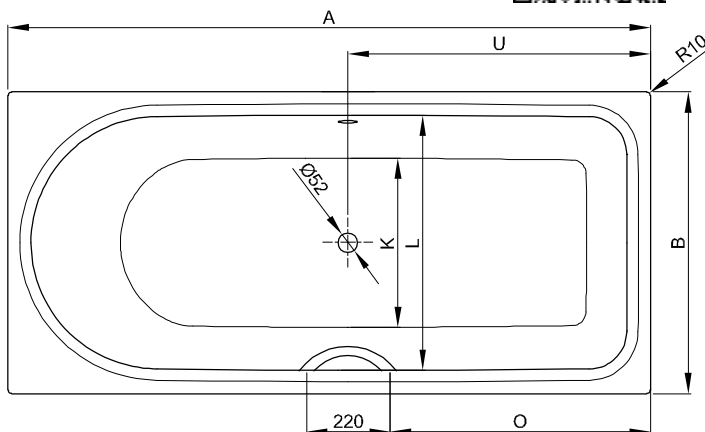
PG	article no.	description	see	Chrome 901	White 000	Key Colours → cover
IN	B640-	BetteMono push control bath waste and overflow fitting, Ø52 mm, enamelled	p. 294		296 €	296 €
IN	B641-	BetteMono Flow push control bath waste and overflow filling fitting, Ø52 mm, enamelled	p. 295		559 €	559 €
IN	B600-	Bath waste and overflow fitting Ø 52 mm, 560 mm	p. 300	146 €		
IN	B604-	Bath filling, waste and overflow fitting unit Ø 52 mm, 560 mm	p. 301	392 €		



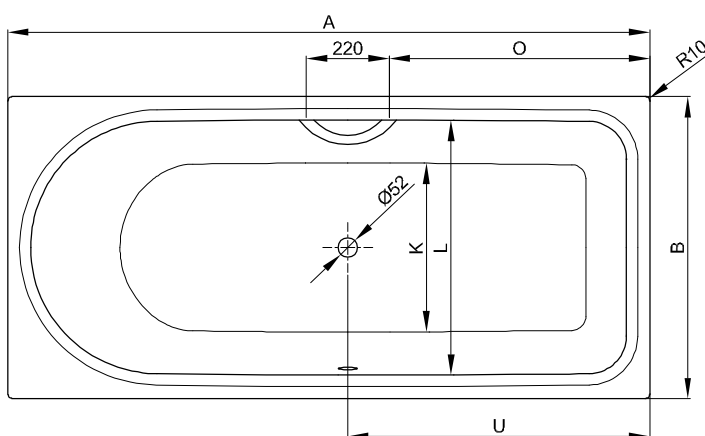
N° 1: foot end right, overflow rear



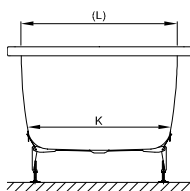
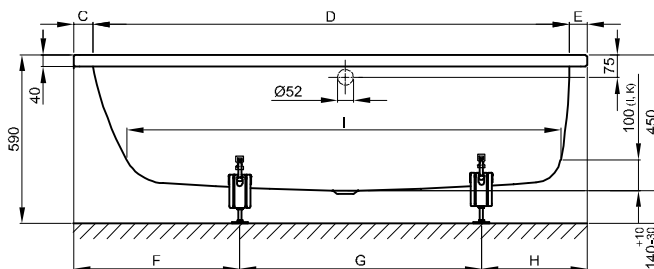
N° 2: foot end right, overflow front



N° 1: foot end right, overflow rear



N° 2: foot end right, overflow front



Information

For professional installation we recommend the use of the original bath feet B23-1500.

For our baths we recommend the enamelled BetteMono waste fittings with push-to-open/close function.

This bath is suitable for undermount installation after on-site inspection and proper installation. We can provide you with the relevant cut-out data on request.

Scope of delivery

Including noise-reducing pads.

Design: schmidem design

Dimensions

article no.	dimensions in mm	variant	A	B	C	D	E	F	G	H	I	K	L	O	U	volume*
8858	1500 × 700 × 450	N° 1	1500	700	65	1375	60	470	700	330	1235	505	565	540	650	139 litre
8859	1500 × 700 × 450	N° 2	1500	700	65	1375	60	470	700	330	1235	505	565	540	650	139 litre
8850	1600 × 700 × 450	N° 1	1600	700	65	1475	60	470	760	370	1335	505	565	590	700	148 litre
8851	1600 × 700 × 450	N° 2	1600	700	65	1475	60	470	760	370	1335	505	565	590	700	148 litre
8852	1700 × 700 × 450	N° 1	1700	700	115	1475	110	520	760	420	1335	505	565	640	750	148 litre
8853	1700 × 700 × 450	N° 2	1700	700	115	1475	110	520	760	420	1335	505	565	640	750	148 litre
8854	1700 × 750 × 450	N° 1	1700	750	65	1575	60	490	890	320	1435	555	615	690	800	185 litre
8855	1700 × 750 × 450	N° 2	1700	750	65	1575	60	490	890	320	1435	555	615	690	800	185 litre
8765	1700 × 800 × 450	N° 1	1700	800	65	1575	60	540	800	360	1435	605	665	690	800	202 litre
8865	1700 × 800 × 450	N° 2	1700	800	65	1575	60	540	800	360	1435	605	665	690	800	202 litre
8856	1800 × 800 × 450	N° 1	1800	800	65	1675	60	540	900	360	1535	605	665	690	800	235 litre
8857	1800 × 800 × 450	N° 2	1800	800	65	1675	60	540	900	360	1535	605	665	690	800	235 litre

*bath capacity = volume + 70 litre human water displacement.

Dimensions

PG	article no.	dimensions in mm	variant	weight (net)	pcs/pallet	White 000 → cover	Key Colours → cover	Bespoke Colours → cover
ES	8858	1500 x 700 x 450	Nº 1	53 kg	10	933 €	1.087 €	1.228 €
ES	8859	1500 x 700 x 450	Nº 2	53 kg	10	933 €	1.087 €	1.228 €
ES	8850	1600 x 700 x 450	Nº 1	54 kg	10	933 €	1.087 €	1.228 €
ES	8851	1600 x 700 x 450	Nº 2	54 kg	10	933 €	1.087 €	1.228 €
ES	8852	1700 x 700 x 450	Nº 1	55 kg	10	933 €	1.087 €	1.228 €
ES	8853	1700 x 700 x 450	Nº 2	55 kg	10	933 €	1.087 €	1.228 €
ES	8854	1700 x 750 x 450	Nº 1	59 kg	10	933 € ▲	1.087 €	1.228 €
ES	8855	1700 x 750 x 450	Nº 2	59 kg	10	933 € ▲	1.087 €	1.228 €
ES	8765	1700 x 800 x 450	Nº 1	57 kg	10	933 €	1.087 €	1.228 €
ES	8865	1700 x 800 x 450	Nº 2	57 kg	10	933 €	1.087 €	1.228 €
ES	8856	1800 x 800 x 450	Nº 1	64 kg	8	1.026 € ▲	1.180 €	1.321 €
ES	8857	1800 x 800 x 450	Nº 2	64 kg	8	1.026 € ▲	1.180 €	1.321 €

Extras

PG	code	description	see	price
EX	AS	BetteAnti-Slip Sense - class C*	p. 259	165 €
EX	PLUS	BetteGlaze® Plus	p. 260	138 €
EX	HLZ	Tapholes and drilling as per special drawing	p. 261	203 €
EX		BetteUpstand	p. 264	from 367 €
EX		Special size	p. 270	350 €
EX		Profi Corner	p. 268	from 350 €
IN		Whirlsystems	p. 134	

*Not available with Glaze® Plus. Only available in combination with White (000).

Accessories

PG	article no.	description	see	price
IN	B23-1500	Bath feet universal	p. 308	73 €
IN	B090-901	Grip B090, Chrome*	p. 333	173 €
IN	B120-901	Grip B120, Chrome*	p. 334	173 €
IN	B57-0372	Sealing System for baths	p. 325	103 €
IN	B57-0408	Sealing tape on roll 4 m	p. 326	23 €
IN	B57-0407	Tile adhesive protection tape 3300 x 120 mm	p. 327	32 €
IN	Z0008669	Wall Brackets	p. 327	39 €

* The baths need to be ordered with the ending 1GR.

Waste and overflow fittings

PG	article no.	description	see	Chrome 901	White 000 → cover	Key Colours → cover
IN	B640-	BetteMono push control bath waste and overflow fitting, Ø52 mm, enamelled	p. 294		296 €	296 €
IN	B641-	BetteMono Flow push control bath waste and overflow filling fitting, Ø52 mm, enamelled	p. 295		559 €	559 €
IN	B602-	Bath waste and overflow fitting Ø 52 mm, 725 mm	p. 300	150 €		
IN	B606-	Bath filling, waste and overflow fitting unit Ø 52 mm, 725 mm	p. 303	412 €		

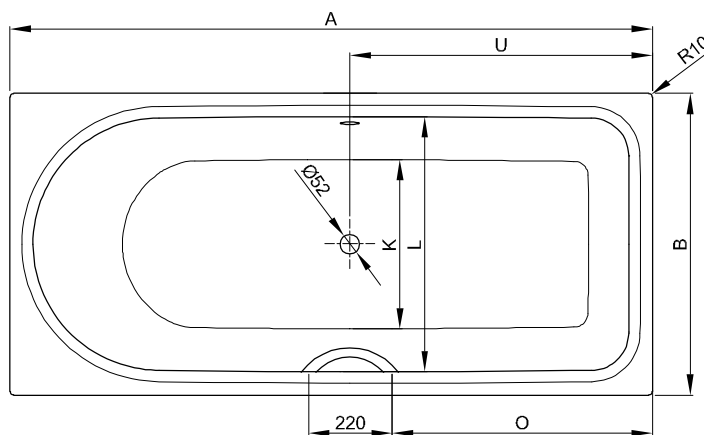
BetteOcean Low-Line



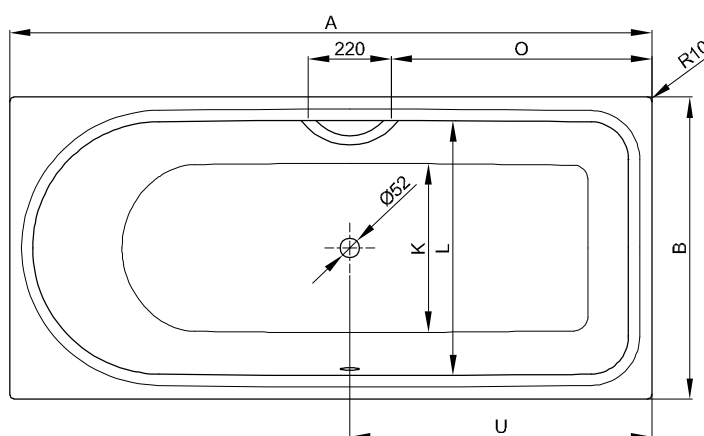
N° 1: foot end right, overflow rear



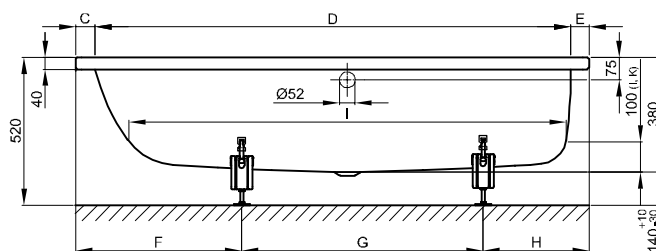
N° 2: foot end right, overflow front



N° 1: foot end right, overflow rear



N° 2: foot end right, overflow front



Information

For professional installation we recommend the use of the original bath feet B23-1500.

For our baths we recommend the enamelled BetteMono waste fittings with push-to-open/close function.

This bath is suitable for undermount installation after on-site inspection and proper installation. We can provide you with the relevant cut-out data on request.

Scope of delivery

Including noise-reducing pads.

Design: schmidem design

Dimensions

article no.	dimensions in mm	variant	A	B	C	D	E	F	G	H	I	K	L	O	U	volume*
8841	1500 x 700 x 380	N° 1	1500	700	60	1375	65	470	700	330	1235	505	565	540	650	90 litre
8842	1500 x 700 x 380	N° 2	1500	700	60	1375	65	470	700	330	1235	505	565	540	650	90 litre
8830	1600 x 700 x 380	N° 1	1600	700	65	1475	60	470	760	370	1335	505	565	590	700	120 litre
8831	1600 x 700 x 380	N° 2	1600	700	65	1475	60	470	760	370	1335	505	565	590	700	120 litre
8832	1700 x 700 x 380	N° 1	1700	700	115	1475	110	500	880	320	1335	505	565	640	750	120 litre
8833	1700 x 700 x 380	N° 2	1700	700	115	1475	110	500	880	320	1335	505	565	640	750	120 litre
8834	1700 x 750 x 380	N° 1	1700	750	65	1575	60	500	880	320	1435	555	615	690	800	140 litre
8835	1700 x 750 x 380	N° 2	1700	750	65	1575	60	500	880	320	1435	555	615	690	800	140 litre
8836	1700 x 800 x 380	N° 1	1700	800	65	1575	60	540	800	360	1435	605	665	690	800	165 litre
8837	1700 x 800 x 380	N° 2	1700	800	65	1575	60	540	800	360	1435	605	665	690	800	165 litre
8838	1800 x 800 x 380	N° 1	1800	800	65	1675	60	540	900	360	1535	605	665	690	800	180 litre
8839	1800 x 800 x 380	N° 2	1800	800	65	1675	60	540	900	360	1535	605	665	690	800	180 litre

*bath capacity = volume + 70 litre human water displacement.

Dimensions

PG	article no.	dimensions in mm	variant	weight (net)	pcs/pallet	White 000 → cover	Key Colours → cover	Bespoke Colours → cover
ES	8841	1500 x 700 x 380	Nº 1	47 kg	10	933 €	1.087 €	1.228 €
ES	8842	1500 x 700 x 380	Nº 2	47 kg	10	933 €	1.087 €	1.228 €
ES	8830	1600 x 700 x 380	Nº 1	49 kg	10	933 €	1.087 €	1.228 €
ES	8831	1600 x 700 x 380	Nº 2	49 kg	10	933 €	1.087 €	1.228 €
ES	8832	1700 x 700 x 380	Nº 1	51 kg	10	933 €	1.087 €	1.228 €
ES	8833	1700 x 700 x 380	Nº 2	51 kg	10	933 €	1.087 €	1.228 €
ES	8834	1700 x 750 x 380	Nº 1	54 kg	10	933 €	1.087 €	1.228 €
ES	8835	1700 x 750 x 380	Nº 2	54 kg	10	933 €	1.087 €	1.228 €
ES	8836	1700 x 800 x 380	Nº 1	53 kg	10	933 €	1.087 €	1.228 €
ES	8837	1700 x 800 x 380	Nº 2	53 kg	10	933 €	1.087 €	1.228 €
ES	8838	1800 x 800 x 380	Nº 1	60 kg	10	1.026 €	1.180 €	1.321 €
ES	8839	1800 x 800 x 380	Nº 2	60 kg	10	1.026 €	1.180 €	1.321 €

Extras

PG	code	description	see	price
EX	AS	BetteAnti-Slip Sense - class C*	p. 259	165 €
EX	PLUS	BetteGlaze® Plus	p. 260	138 €
EX	HLZ	Tapholes and drilling as per special drawing	p. 261	203 €
EX		BetteUpstand	p. 264	from 367 €
EX		Profi Corner	p. 268	from 350 €
IN		Whirlsystems	p. 134	

*Not available with Glaze® Plus. Only available in combination with White (000).

Accessories

PG	article no.	description	see	price
IN	B23-1500	Bath feet universal	p. 308	73 €
IN	B090-901	Grip B090, Chrome*	p. 333	173 €
IN	B120-901	Grip B120, Chrome*	p. 334	173 €
IN	B57-0372	Sealing System for baths	p. 325	103 €
IN	B57-0408	Sealing tape on roll 4 m	p. 326	23 €
IN	B57-0407	Tile adhesive protection tape 3300 x 120 mm	p. 327	32 €
IN	Z0008669	Wall Brackets	p. 327	39 €

* The baths need to be ordered with the ending 1GR.

Waste and overflow fittings

PG	article no.	description	see	Chrome 901	White 000	Key Colours → cover
IN	B640-	BetteMono push control bath waste and overflow fitting, Ø52 mm, enamelled	p. 294		296 €	296 €
IN	B641-	BetteMono Flow push control bath waste and overflow filling fitting, Ø52 mm, enamelled	p. 295		559 €	559 €
IN	B602-	Bath waste and overflow fitting Ø 52 mm, 725 mm	p. 300	150 €		
IN	B606-	Bath filling, waste and overflow fitting unit Ø 52 mm, 725 mm	p. 303	412 €		

BetteOne Relax



Information

For professional installation we recommend the use of the original bath feet B23-1500.

For our baths we recommend the enamelled BetteMono waste fittings with push-to-open/close function.

This bath is suitable for undermount installation after on-site inspection and proper installation. We can provide you with the relevant cut-out data on request.

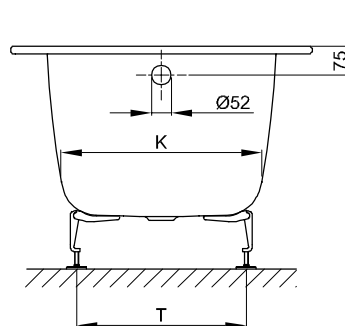
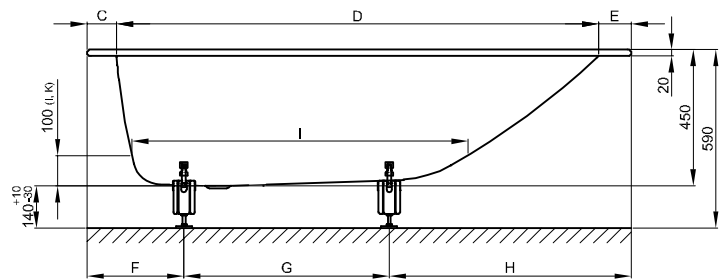
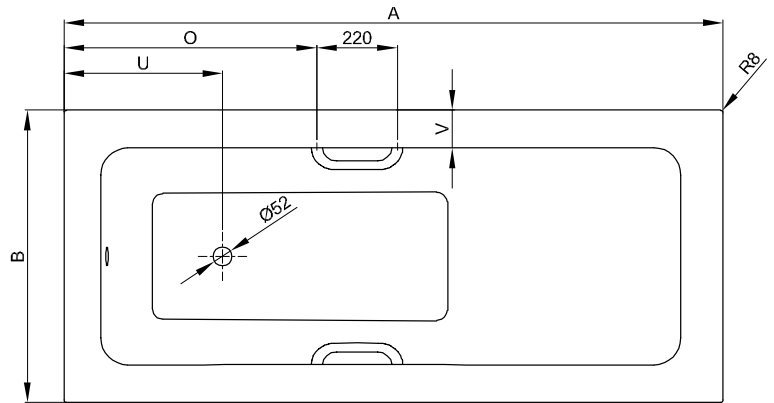
The BetteOne Relax, 1900 x 900 x 450 mm, article no. 3324 and 2000 x 900 x 450 mm, article no. 3325, are not available with BetteUpstands or in special size.

Available with matching washbasin BetteOne.
→ p. 248

Scope of delivery

Including noise-reducing pads.

Design: Tesseraux + Partner



Dimensions

article no.	dimensions in mm	A	B	C	D	E	F	G	H	I	K	O	T	U	V	volume*
3323	1800 x 800 x 450	1800	800	95	1600	105	360	645	795	1080	515	690	455	433	100	155 litre
3324	1900 x 900 x 450	1900	900	100	1690	110	320	780	800	1165	600	740	545	438	105	210 litre
3325	2000 x 900 x 450	2000	900	100	1790	110	320	880	800	1285	600	790	545	438	105	226 litre

*bath capacity = volume + 70 litre human water displacement.

Dimensions

PG	article no.	dimensions in mm	weight (net)	pcs/pallet	White 000 → cover	Key Colours → cover	Bespoke Colours → cover
ES	3323	1800 x 800 x 450	54 kg	12	1.171 € ▲	1.325 €	1.466 €
ES	3324	1900 x 900 x 450	61 kg	12	1.323 €	1.477 €	1.618 €
ES	3325	2000 x 900 x 450	65 kg	12	1.482 € ▲	1.636 €	1.777 €

Extras

PG	code	description	see	price
EX	AS	BetteAnti-Slip Sense - class C*	p. 259	165 €
EX	PLUS	BetteGlaze® Plus	p. 260	138 €
EX	HLZ	Tapholes and drilling as per special drawing	p. 261	203 €
EX		BetteUpstand	p. 264	from 367 €
EX		Special size	p. 270	350 €
EX		Profi Corner	p. 268	from 350 €
IN		Whirlsystems	p. 134	

*Not available with Glaze® Plus. Only available in combination with White (000).

Accessories

PG	article no.	description	see	price
IN	B23-1500	Bath feet universal	p. 308	73 €
IN	B080-901	Grips B080, Chrome*	p. 332	227 €
IN	B122-901	Grips B122, Chrome*	p. 334	227 €
IN	B57-0372	Sealing System for baths	p. 325	103 €
IN	B57-0408	Sealing tape on roll 4 m	p. 326	23 €
IN	B57-0407	Tile adhesive protection tape 3300 x 120 mm	p. 327	32 €
IN	Z0008669	Wall Brackets	p. 327	39 €

* The baths need to be ordered with the ending 2GR.

Waste and overflow fittings

PG	article no.	description	see	Chrome 901	White 000	Key Colours → cover
IN	B640-	BetteMono push control bath waste and overflow fitting, Ø52 mm, enamelled	p. 294		296 €	296 €
IN	B641-	BetteMono Flow push control bath waste and overflow filling fitting, Ø52 mm, enamelled	p. 295		559 €	559 €
IN	B602-	Bath waste and overflow fitting Ø 52 mm, 725 mm	p. 300	150 €		
IN	B606-	Bath filling, waste and overflow fitting unit Ø 52 mm, 725 mm	p. 303	412 €		

BetteSelect



Information

For professional installation we recommend the use of the original bath feet B23-1500.

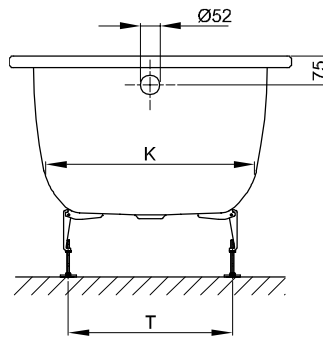
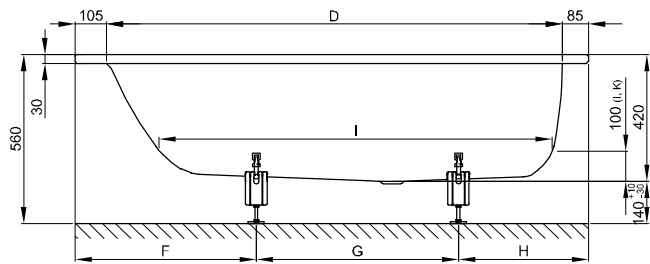
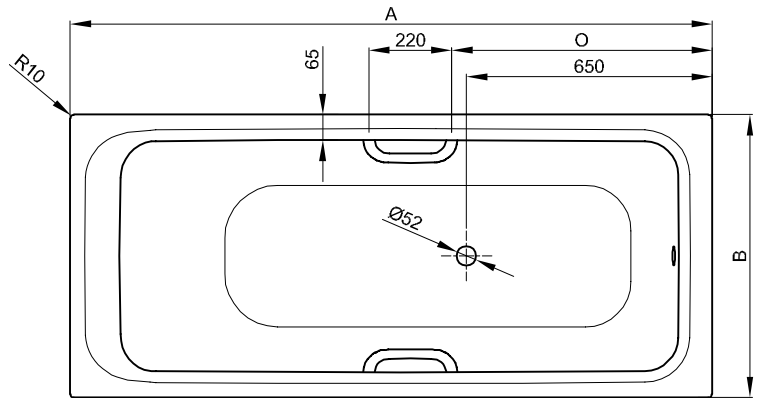
For our baths we recommend the enamelled BetteMono waste fittings with push-to-open/close function.

This bath is suitable for undermount installation after on-site inspection and proper installation. We can provide you with the relevant cut-out data on request.

Scope of delivery

Including noise-reducing pads.

Design: Tesseraux + Partner



Dimensions

article no.	dimensions in mm	A	B	D	F	G	H	I	K	O	T	volume*
3410	1600 × 700 × 420	1600	700	1410	560	640	400	1200	500	590	405	119 litre
3411	1700 × 700 × 420	1700	700	1510	560	760	380	1300	500	690	405	131 litre
3412	1700 × 750 × 420	1700	750	1510	560	760	380	1300	545	690	455	151 litre
3413	1800 × 800 × 420	1800	800	1610	550	845	405	1400	600	790	505	187 litre

*bath capacity = volume + 70 litre human water displacement.

Dimensions

PG	article no.	dimensions in mm	weight (net)	pcs/pallet	White 000 → cover	Key Colours → cover	Bespoke Colours → cover
ES	3410	1600 x 700 x 420	45 kg	10	701 €	855 €	996 €
ES	3411	1700 x 700 x 420	47 kg	10	701 €	855 €	996 €
ES	3412	1700 x 750 x 420	50 kg	10	701 € ▲	855 €	996 €
ES	3413	1800 x 800 x 420	55 kg	10	771 € ▲	925 €	1.066 €

Extras

PG	code	description	see	price
EX	AS	BetteAnti-Slip Sense - class C*	p. 259	165 €
EX	PLUS	BetteGlaze® Plus	p. 260	138 €
EX	HLZ	Tapholes and drilling as per special drawing	p. 261	203 €
EX		BetteUpstand	p. 264	from 367 €
EX		Special size	p. 270	350 €
EX		Profi Corner	p. 268	from 350 €
IN		Whirlsystems	p. 134	

*Not available with Glaze® Plus. Only available in combination with White (000).

Accessories

PG	article no.	description	see	price
IN	B23-1500	Bath feet universal	p. 308	73 €
IN	B080-901	Grips B080, Chrome*	p. 332	227 €
IN	B122-901	Grips B122, Chrome*	p. 334	227 €
IN	B57-0372	Sealing System for baths	p. 325	103 €
IN	B57-0408	Sealing tape on roll 4 m	p. 326	23 €
IN	B57-0407	Tile adhesive protection tape 3300 x 120 mm	p. 327	32 €
IN	Z0008669	Wall Brackets	p. 327	39 €

* The baths need to be ordered with the ending 2GR.

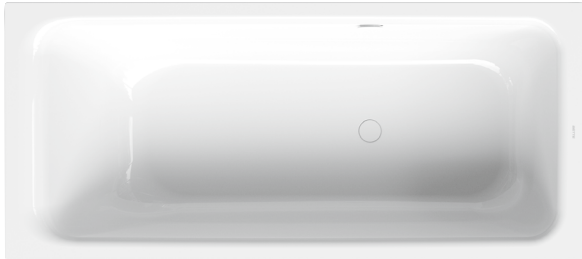
Waste and overflow fittings

PG	article no.	description	see	Chrome 901	White 000	Key Colours → cover
IN	B640-	BetteMono push control bath waste and overflow fitting, Ø52 mm, enamelled	p. 294		296 €	296 €
IN	B641-	BetteMono Flow push control bath waste and overflow filling fitting, Ø52 mm, enamelled	p. 295		559 €	559 €
IN	B603-	Bath waste and overflow fitting Ø 52 mm, 1070 mm	p. 301	189 €		
IN	B607-	Bath filling, waste and overflow fitting unit Ø 52 mm, 1070 mm	p. 303	457 €		

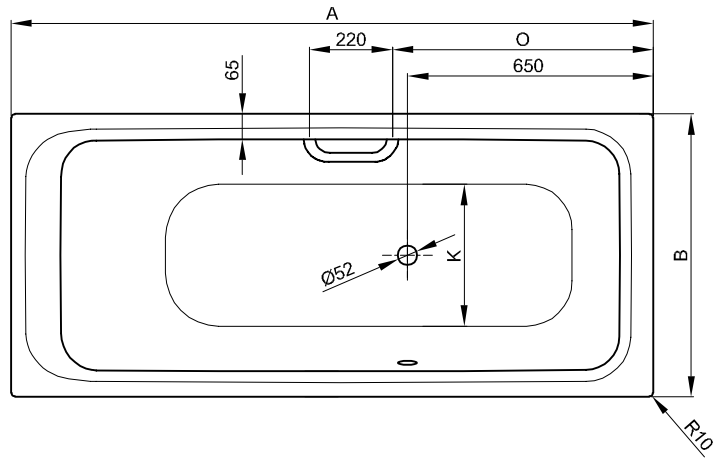
BetteSelect with side overflow



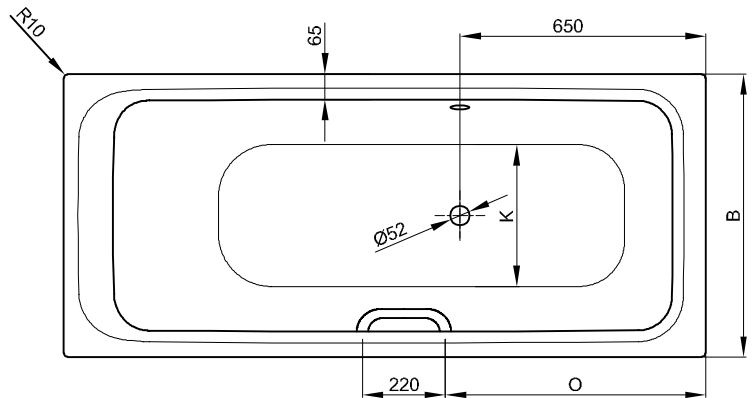
N° 1: foot end right, overflow front



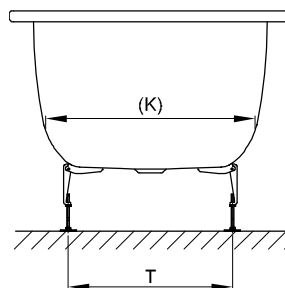
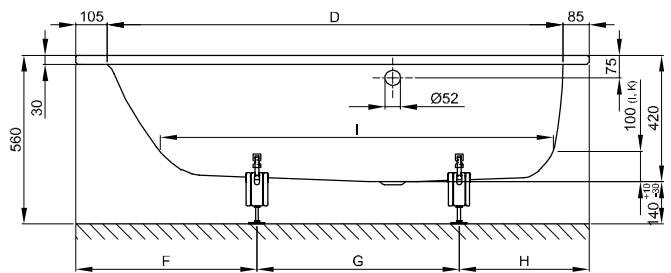
N° 2: foot end right, overflow rear



N° 1: foot end right, overflow front



N° 2: foot end right, overflow rear



Information

For professional installation we recommend the use of the original bath feet B23-1500.

For our baths we recommend the enamelled BetteMono waste fittings with push-to-open/close function.

This bath is suitable for undermount installation after on-site inspection and proper installation. We can provide you with the relevant cut-out data on request.

Scope of delivery

Including noise-reducing pads.

Design: Tesseraux + Partner

Dimensions

article no.	dimensions in mm	variant	A	B	D	F	G	H	I	K	O	T	volume*
3420	1600 × 700 × 420	N° 1	1600	700	1410	560	640	400	1200	500	590	405	119 litre
3430	1600 × 700 × 420	N° 2	1600	700	1410	560	640	400	1200	500	590	405	119 litre
3421	1700 × 700 × 420	N° 1	1700	700	1510	560	760	380	1300	500	690	405	131 litre
3431	1700 × 700 × 420	N° 2	1700	700	1510	560	760	380	1300	500	690	405	131 litre
3422	1700 × 750 × 420	N° 1	1700	750	1510	560	760	380	1300	545	690	450	151 litre
3432	1700 × 750 × 420	N° 2	1700	750	1510	560	760	380	1300	545	690	450	151 litre
3423	1800 × 800 × 420	N° 1	1800	800	1610	550	845	405	1400	600	790	505	187 litre
3433	1800 × 800 × 420	N° 2	1800	800	1610	550	845	405	1400	600	790	505	187 litre

*bath capacity = volume + 70 litre human water displacement.

Dimensions

PG	article no.	dimensions in mm	variant	weight (net)	pcs/pallet	White 000 → cover	Key Colours → cover	Bespoke Colours → cover
ES	3420	1600 × 700 × 420	Nº 1	45 kg	10	701 €	855 €	996 €
ES	3430	1600 × 700 × 420	Nº 2	45 kg	10	701 €	855 €	996 €
ES	3421	1700 × 700 × 420	Nº 1	47 kg	10	701 €	855 €	996 €
ES	3431	1700 × 700 × 420	Nº 2	47 kg	10	701 €	855 €	996 €
ES	3422	1700 × 750 × 420	Nº 1	50 kg	10	701 € 🏠	855 €	996 €
ES	3432	1700 × 750 × 420	Nº 2	50 kg	10	701 € 🏠	855 €	996 €
ES	3423	1800 × 800 × 420	Nº 1	55 kg	10	771 € 🏠	925 €	1.066 €
ES	3433	1800 × 800 × 420	Nº 2	55 kg	10	771 € 🏠	925 €	1.066 €

Extras

PG	code	description	see	price
EX	AS	BetteAnti-Slip Sense - class C*	p. 259	165 €
EX	PLUS	BetteGlaze® Plus	p. 260	138 €
EX	HLZ	Tapholes and drilling as per special drawing	p. 261	203 €
EX		BetteUpstand	p. 264	from 367 €
EX		Special size	p. 270	350 €
EX		Profi Corner	p. 268	from 350 €
IN		Whirlsystems	p. 134	

*Not available with Glaze® Plus. Only available in combination with White (000).

Accessories

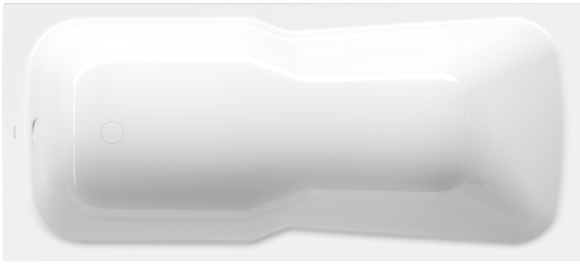
PG	article no.	description	see	price
IN	B23-1500	Bath feet universal	p. 308	73 €
IN	B090-901	Grip B090, Chrome*	p. 333	173 €
IN	B120-901	Grip B120, Chrome*	p. 334	173 €
IN	B57-0372	Sealing System for baths	p. 325	103 €
IN	B57-0408	Sealing tape on roll 4 m	p. 326	23 €
IN	B57-0407	Tile adhesive protection tape 3300 × 120 mm	p. 327	32 €
IN	Z0008669	Wall Brackets	p. 327	39 €

* The baths need to be ordered with the ending 1GR.

Waste and overflow fittings

PG	article no.	description	see	Chrome 901	White 000	Key Colours → cover
IN	B640-	BetteMono push control bath waste and overflow fitting, Ø52 mm, enamelled	p. 294		296 €	296 €
IN	B641-	BetteMono Flow push control bath waste and overflow filling fitting, Ø52 mm, enamelled	p. 295		559 €	559 €
IN	B602-	Bath waste and overflow fitting Ø 52 mm, 725 mm	p. 300	150 €		
IN	B606-	Bath filling, waste and overflow fitting unit Ø 52 mm, 725 mm	p. 303	412 €		

BetteSet



Information

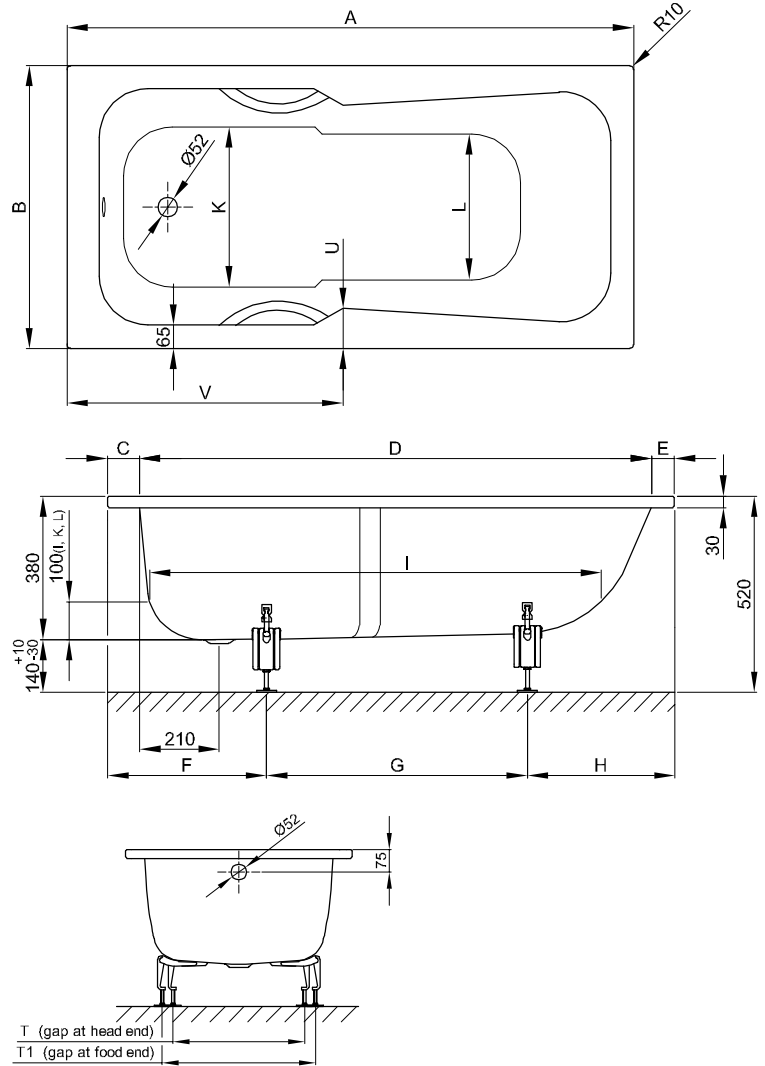
For professional installation we recommend the use of the original bath feet B23-1500.

For our baths we recommend the enamelled BetteMono waste fittings with push-to-open/close function.

This bath is suitable for undermount installation after on-site inspection and proper installation. We can provide you with the relevant cut-out data on request.

Scope of delivery

Including noise-reducing pads.



Dimensions

article no.	dimensions in mm	A	B	C	D	E	F	G	H	I	K	L	T	T1	U	V	volume*
2560	1500 x 750 x 380	1500	750	85	1355	60	375	705	420	1195	560	470	435	540	100	720	94 litre
3650	1600 x 700 x 380	1600	700	95	1440	65	390	730	480	1235	520	435	445	545	105	780	86 litre
3660	1600 x 750 x 380	1600	750	85	1455	60	390	730	480	1250	560	470	445	545	100	740	105 litre
3560	1650 x 750 x 380	1650	750	95	1455	100	385	710	555	1250	560	470	455	455	100	760	105 litre
3060	1700 x 750 x 380	1700	750	95	1545	60	400	820	480	1350	560	470	430	530	100	800	116 litre
3760	1700 x 800 x 380	1700	800	85	1560	55	405	830	465	1350	610	520	435	580	105	800	128 litre
3860	1800 x 800 x 380	1800	800	85	1655	60	425	850	525	1435	610	520	420	600	105	820	140 litre

*bath capacity = volume + 70 litre human water displacement.

Dimensions

PG	article no.	dimensions in mm	weight (net)	pcs/pallet	White 000	Key Colours	Bespoke Colours
					→ cover	→ cover	→ cover
ES	2560	1500 x 750 x 380	42.1 kg	8	736 €	890 €	1.031 €
ES	3650	1600 x 700 x 380	43 kg	8	736 € ▲	890 €	1.031 €
ES	3660	1600 x 750 x 380	46.1 kg	8	736 € ▲	890 €	1.031 €
ES	3560	1650 x 750 x 380	47 kg	8	736 €	890 €	1.031 €
ES	3060	1700 x 750 x 380	48.7 kg	8	736 € ▲	890 €	1.031 €
ES	3760	1700 x 800 x 380	48.9 kg	8	736 € ▲	890 €	1.031 €
ES	3860	1800 x 800 x 380	51 kg	8	809 € ▲	963 €	1.104 €

Extras

PG	code	description	see	price
EX	AS	BetteAnti-Slip Sense - class C*	p. 259	165 €
EX	PLUS	BetteGlaze® Plus	p. 260	138 €
EX	HLZ	Tapholes and drilling as per special drawing	p. 261	203 €
EX		BetteUpstand	p. 264	from 367 €
EX		Special size	p. 270	350 €
EX		Profi Corner	p. 268	from 350 €
IN		Whirlsystems	p. 134	

*Not available with Glaze® Plus. Only available in combination with White (000).

Accessories

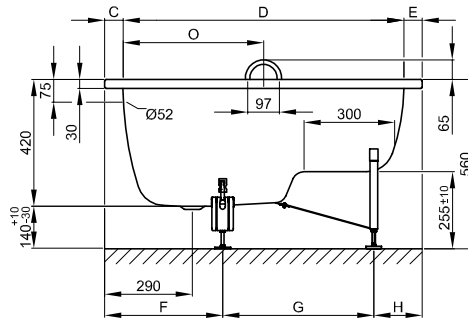
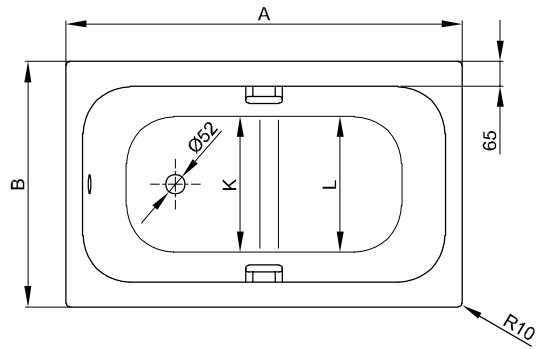
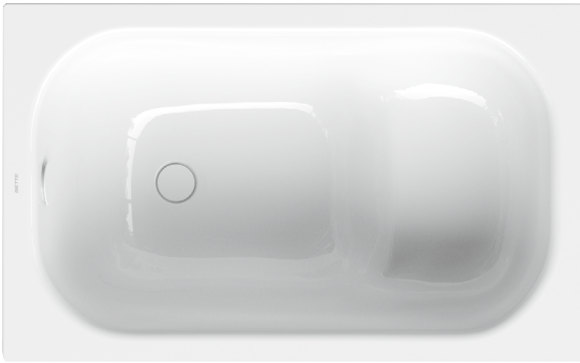
PG	article no.	description	see	price
IN	B23-1500	Bath feet universal	p. 308	73 €
IN	B110-901	Grips B110, Chrome*	p. 333	218 €
IN	B57-0372	Sealing System for baths	p. 325	103 €
IN	B57-0408	Sealing tape on roll 4 m	p. 326	23 €
IN	B57-0407	Tile adhesive protection tape 3300 x 120 mm	p. 327	32 €
IN	Z0008669	Wall Brackets	p. 327	39 €

* The baths need to be ordered with the ending 2GR.

Waste and overflow fittings

PG	article no.	description	see	Chrome 901	White 000	Key Colours
						→ cover
IN	B640-	BetteMono push control bath waste and overflow fitting, Ø52 mm, enamelled	p. 294		296 €	296 €
IN	B641-	BetteMono Flow push control bath waste and overflow filling fitting, Ø52 mm, enamelled	p. 295		559 €	559 €
IN	B600-	Bath waste and overflow fitting Ø 52 mm, 560 mm	p. 300	146 €		
IN	B604-	Bath filling, waste and overflow fitting unit Ø 52 mm, 560 mm	p. 301	392 €		

BetteStep



Information

The upper edge of the grips exceeds the bath by 65 mm.

For professional installation we recommend the use of the original bath feet B23-1520.

For our baths we recommend the enamelled BetteMono waste fittings with push-to-open/close function.

This bath is suitable for undermount installation after on-site inspection and proper installation. We can provide you with the relevant cut-out data on request.

Scope of delivery

Including noise-reducing pads.

Dimensions

article no.	dimensions in mm	A	B	C	D	E	F	G	H	K	L	O	volume*
1050	1050 × 650 × 420	1050	650	60	930	60	390	500	160	450	475	465	36 litre
1060	1180 × 730 × 420	1180	730	67	1046	67	420	610	150	510	555	530	66 litre

*bath capacity = volume + 70 litre human water displacement.

Dimensions

PG	article no.	dimensions in mm	weight (net)	pcs/pallet	White 000 → cover	Key Colours → cover	Bespoke Colours → cover
ES	1050	1050 x 650 x 420	23.4 kg	14	745 €	899 €	1.040 €
ES	1060	1180 x 730 x 420	27.8 kg	14	745 €	899 €	1.040 €

Extras

PG	code	description	see	price
EX	AS	BetteAnti-Slip Sense - class C*	p. 259	165 €
EX	PLUS	BetteGlaze® Plus	p. 260	138 €
EX	HLZ	Tapholes and drilling as per special drawing	p. 261	203 €
EX		BetteUpstand	p. 264	from 367 €
EX		Special size	p. 270	350 €
EX		Profi Corner	p. 268	from 350 €

*Not available with Glaze® Plus. Only available in combination with White (000).

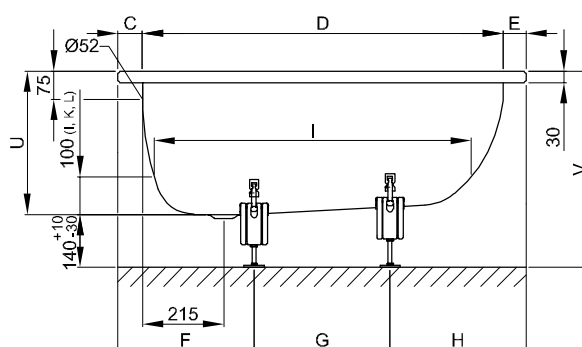
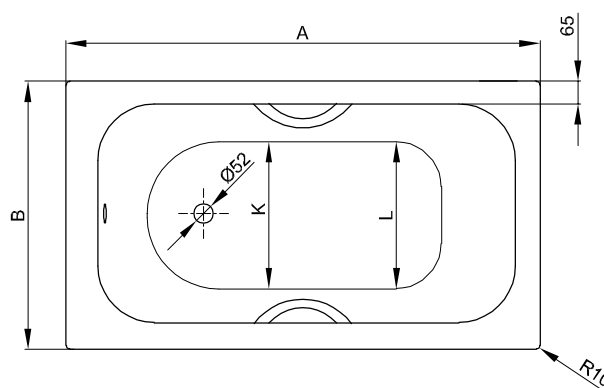
Accessories

PG	article no.	description	see	price
IN	B23-1520	Bath feet BetteStep	p. 309	95 €
IN	B060-901	Grips B060, Chrome*	p. 332	297 €
IN	B57-0372	Sealing System for baths	p. 325	103 €
IN	B57-0408	Sealing tape on roll 4 m	p. 326	23 €
IN	B57-0407	Tile adhesive protection tape 3300 x 120 mm	p. 327	32 €
IN	Z0008669	Wall Brackets	p. 327	39 €

* The baths need to be ordered with the ending 2GR.

Waste and overflow fittings

PG	article no.	description	see	Chrome 901	White 000	Key Colours → cover
IN	B640-	BetteMono push control bath waste and overflow fitting, Ø52 mm, enamelled	p. 294		296 €	296 €
IN	B641-	BetteMono Flow push control bath waste and overflow filling fitting, Ø52 mm, enamelled	p. 295		559 €	559 €
IN	B600-	Bath waste and overflow fitting Ø 52 mm, 560 mm	p. 300	146 €		
IN	B604-	Bath filling, waste and overflow fitting unit Ø 52 mm, 560 mm	p. 301	392 €		



Information

For professional installation we recommend the use of the original bath feet B23-1500.

For our baths we recommend the enamelled BetteMono waste fittings with push-to-open/close function.

This bath is suitable for undermount installation after on-site inspection and proper installation. We can provide you with the relevant cut-out data on request.

Scope of delivery

Including noise-reducing pads.

Dimensions

article no.	dimensions in mm	A	B	C	D	E	F	G	H	I	K	L	U	V	volume*
1080	1080 × 730 × 380	1080	730	65	955	60	380	360	340	865	485	485	380	520	43 litre
1180	1180 × 730 × 380	1180	730	85	1030	65	370	460	350	945	525	510	380	520	52 litre
1200	1200 × 700 × 390	1200	700	85	1050	65	385	430	385	920	500	485	390	530	57 litre
1240	1240 × 700 × 420	1240	700	70	1105	65	390	420	430	925	475	475	420	560	73 litre
1300	1300 × 700 × 390	1300	700	85	1150	65	400	480	420	995	495	495	390	530	85 litre

*bath capacity = volume + 70 litre human water displacement.

Dimensions

PG	article no.	dimensions in mm	weight (net)	pcs/pallet	White 000 → cover	Key Colours → cover	Bespoke Colours → cover
ES	1080	1080 x 730 x 380	23.8 kg	14	782 €	936 €	1.077 €
ES	1180	1180 x 730 x 380	25 kg	14	782 €	936 €	1.077 €
ES	1200	1200 x 700 x 390	23 kg	10	782 € ▲	936 €	1.077 €
ES	1240	1240 x 700 x 420	23.9 kg	12	745 €	899 €	1.040 €
ES	1300	1300 x 700 x 390	26 kg	12	782 € ▲	936 €	1.077 €

Extras

PG	code	description	see	price
EX	AS	BetteAnti-Slip Sense - class C*	p. 259	165 €
EX	PLUS	BetteGlaze® Plus	p. 260	138 €
EX	HLZ	Tapholes and drilling as per special drawing	p. 261	203 €
EX		BetteUpstand	p. 264	from 367 €
EX		Special size	p. 270	350 €
EX		Profi Corner	p. 268	from 350 €

*Not available with Glaze® Plus. Only available in combination with White (000).

Accessories

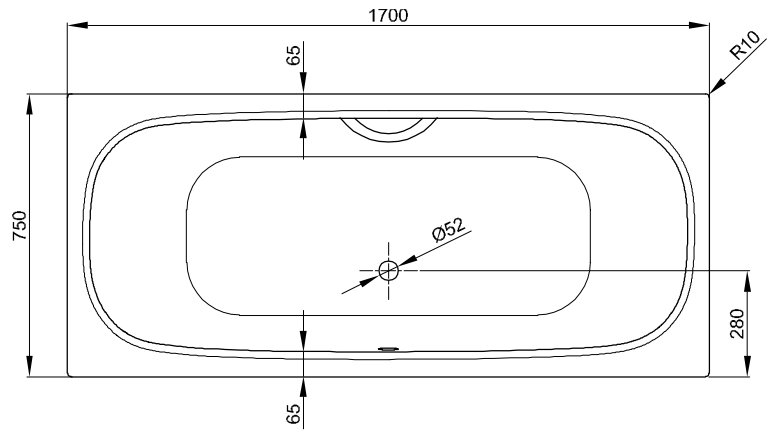
PG	article no.	description	see	price
IN	B23-1500	Bath feet universal	p. 308	73 €
IN	B080-901	Grips B080, Chrome*	p. 332	227 €
IN	B122-901	Grips B122, Chrome*	p. 334	227 €
IN	B57-0372	Sealing System for baths	p. 325	103 €
IN	B57-0408	Sealing tape on roll 4 m	p. 326	23 €
IN	B57-0407	Tile adhesive protection tape 3300 x 120 mm	p. 327	32 €
IN	Z0008669	Wall Brackets	p. 327	39 €

* The baths need to be ordered with the ending 2GR.

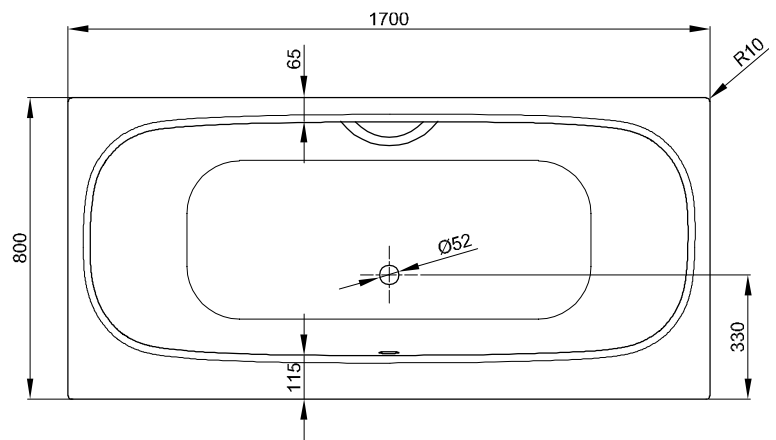
Waste and overflow fittings

PG	article no.	description	see	Chrome 901	White 000	Key Colours → cover
IN	B640-	BetteMono push control bath waste and overflow fitting, Ø52 mm, enamelled	p. 294		296 €	296 €
IN	B641-	BetteMono Flow push control bath waste and overflow filling fitting, Ø52 mm, enamelled	p. 295		559 €	559 €
IN	B600-	Bath waste and overflow fitting Ø 52 mm, 560 mm	p. 300	146 €		
IN	B604-	Bath filling, waste and overflow fitting unit Ø 52 mm, 560 mm	p. 301	392 €		

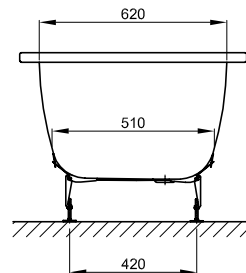
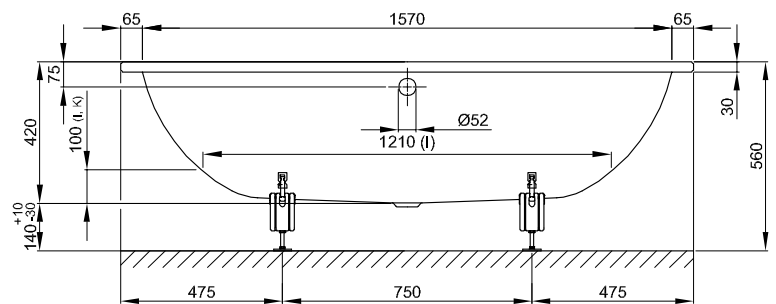
BetteDuett



1700 x 750 mm, article no. 3020



1700 x 800 mm, asymmetrical rim, article no. 3100



Information

The BetteDuett, article no. 3100: The rim on the overflowside is 50 mm larger, the internal shape is the same as BetteDuett article no. 3020.

For professional installation we recommend the use of the original bath feet B23-1500.

For our baths we recommend the enamelled BetteMono waste fittings with push-to-open/close function.

This bath is suitable for undermount installation after on-site inspection and proper installation. We can provide you with the relevant cut-out data on request.

Scope of delivery

Including noise-reducing pads.

Dimensions

article no.	dimensions in mm	volume*
3020	1700 x 750 x 420	128 litre
3100	1700 x 800 x 420	128 litre

*bath capacity = volume + 70 litre human water displacement.

Dimensions

PG	article no.	dimensions in mm	weight (net)	pcs/pallet	White 000 → cover	Key Colours → cover	Bespoke Colours → cover
ES	3020	1700 x 750 x 420	45 kg	10	845 €	999 €	1.140 €
ES	3100	1700 x 800 x 420	473 kg	10	845 €	999 €	1.140 €

Extras

PG	code	description	see	price
EX	AS	BetteAnti-Slip Sense - class C*	p. 259	165 €
EX	PLUS	BetteGlaze® Plus	p. 260	138 €
EX	HLZ	Tapholes and drilling as per special drawing	p. 261	203 €
EX		BetteUpstand	p. 264	from 367 €
EX		Special size	p. 270	350 €
EX		Profi Corner	p. 268	from 350 €
IN		Whirlsystems	p. 134	

*Not available with Glaze® Plus. Only available in combination with White (000).

Accessories

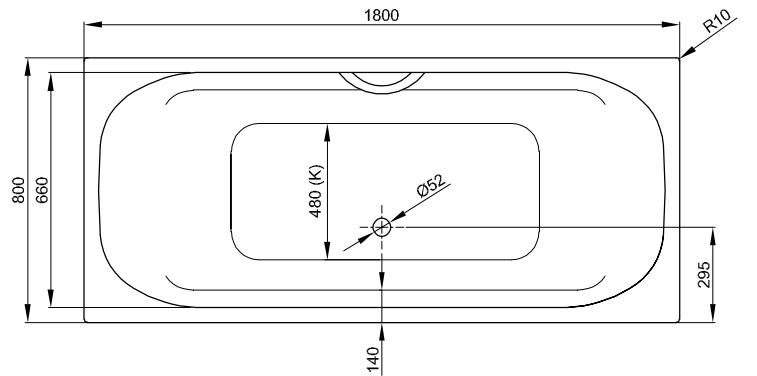
PG	article no.	description	see	price
IN	B23-1500	Bath feet universal	p. 308	73 €
IN	B090-901	Grip B090, Chrome*	p. 333	173 €
IN	B120-901	Grip B120, Chrome*	p. 334	173 €
IN	B57-0372	Sealing System for baths	p. 325	103 €
IN	B57-0408	Sealing tape on roll 4 m	p. 326	23 €
IN	B57-0407	Tile adhesive protection tape 3300 x 120 mm	p. 327	32 €
IN	Z0008669	Wall Brackets	p. 327	39 €

* The baths need to be ordered with the ending 1GR.

Waste and overflow fittings

PG	article no.	description	see	Chrome 901	White 000	Key Colours → cover
IN	B640-	BetteMono push control bath waste and overflow fitting, Ø52 mm, enamelled	p. 294		296 €	296 €
IN	B641-	BetteMono Flow push control bath waste and overflow filling fitting, Ø52 mm, enamelled	p. 295		559 €	559 €
IN	B600-	Bath waste and overflow fitting Ø 52 mm, 560 mm	p. 300	146 €		
IN	B604-	Bath filling, waste and overflow fitting unit Ø 52 mm, 560 mm	p. 301	392 €		

BetteDuo



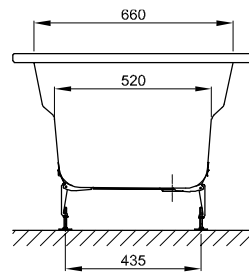
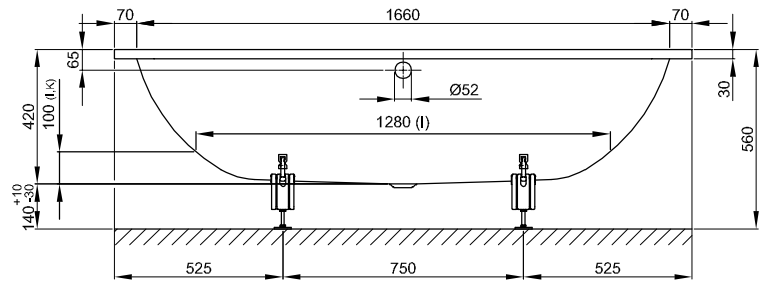
Information

If an overflow filling waste is being used, water may hit the internal ledge.

For professional installation we recommend the use of the original bath feet B23-1500.

For our baths we recommend the enamelled BetteMono waste fittings with push-to-open/close function.

This bath is suitable for undermount installation after on-site inspection and proper installation. We can provide you with the relevant cut-out data on request.



Scope of delivery

Including noise-reducing pads.

Dimensions

article no.	dimensions in mm	volume*
3820	1800 x 800 x 420	143 litre

Dimensions

PG	article no.	dimensions in mm	weight (net)	pcs/pallet	White 000 → cover	Key Colours → cover	Bespoke Colours → cover
ES	3820	1800 × 800 × 420	50.1 kg	12	929 € ▲	1.083 €	1.224 €

Extras

PG	code	description	see	price
EX	AS	BetteAnti-Slip Sense - class C*	p. 259	165 €
EX	PLUS	BetteGlaze® Plus	p. 260	138 €
EX	HLZ	Tapholes and drilling as per special drawing	p. 261	203 €
EX		BetteUpstand	p. 264	from 367 €
EX		Special size	p. 270	350 €
EX		Profi Corner	p. 268	from 350 €
IN		Whirlsystems	p. 134	

*Not available with Glaze® Plus. Only available in combination with White (000).

Accessories

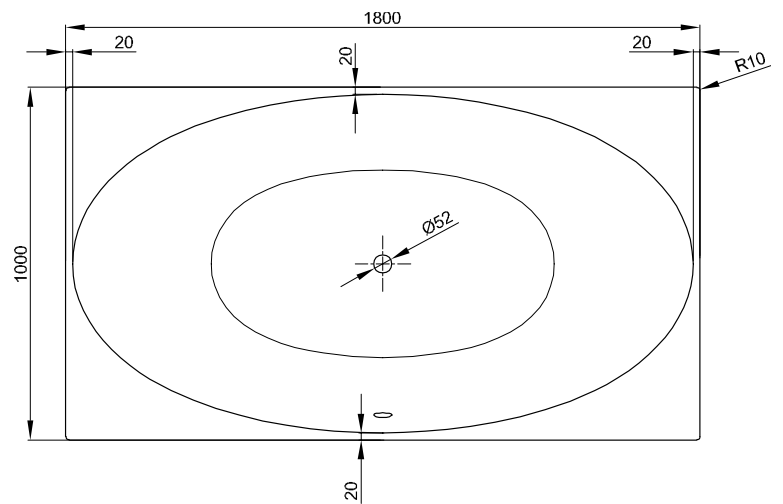
PG	article no.	description	see	price
IN	B23-1500	Bath feet universal	p. 308	73 €
IN	B090-901	Grip B090, Chrome*	p. 333	173 €
IN	B120-901	Grip B120, Chrome*	p. 334	173 €
IN	B57-0372	Sealing System for baths	p. 325	103 €
IN	B57-0408	Sealing tape on roll 4 m	p. 326	23 €
IN	B57-0407	Tile adhesive protection tape 3300 × 120 mm	p. 327	32 €
IN	Z0008669	Wall Brackets	p. 327	39 €

* The baths need to be ordered with the ending 1GR.

Waste and overflow fittings

PG	article no.	description	see	Chrome 901	White 000	Key Colours → cover
IN	B640-	BetteMono push control bath waste and overflow fitting, Ø52 mm, enamelled	p. 294		296 €	296 €
IN	B600-	Bath waste and overflow fitting Ø 52 mm, 560 mm	p. 300	146 €		

BetteEve



Information

For professional installation we recommend the use of the original bath feet B23-1525.

For our baths we recommend the enamelled BetteMono waste fittings with push-to-open/close function.

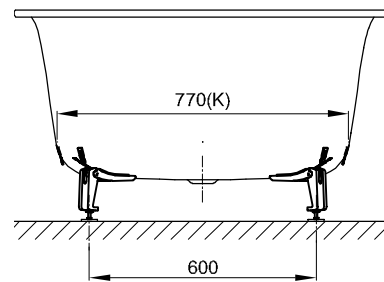
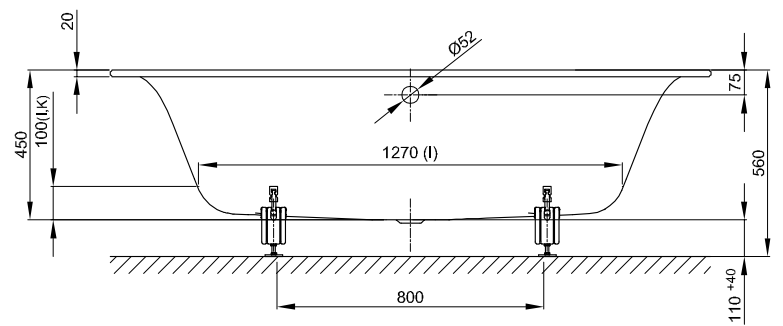
Scope of delivery

Including noise-reducing pads.

Design: Tesseraux + Partner

Availability

The bath BetteEve will only be available until 31 December 2026.



Dimensions

article no.	dimensions in mm	volume*
6042	1800 x 1000 x 450	215 litre

Dimensions

PG	article no.	dimensions in mm	weight (net)	pcs/pallet	White 000 → cover	Key Colours → cover	Bespoke Colours → cover
ES	6042	1800 x 1000 x 450	54 kg	9	1.147 €	1.301 €	1.442 €

Extras

PG	code	description	see	price
EX	AS	BetteAnti-Slip Sense - class C*	p. 259	165 €
EX	PLUS	BetteGlaze® Plus	p. 260	138 €
EX	HLZ	Tapholes and drilling as per special drawing	p. 261	203 €
EX		BetteUpstand	p. 264	from 367 €
EX		Profi Corner	p. 268	from 350 €
IN		Whirlsystems	p. 134	

*Not available with Glaze® Plus. Only available in combination with White (000).

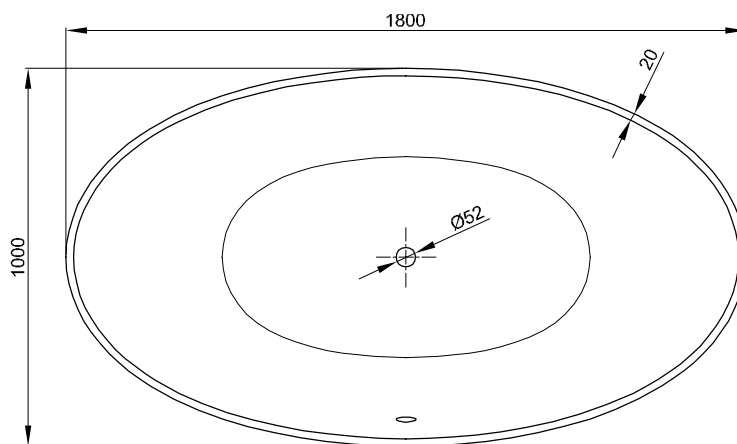
Accessories

PG	article no.	description	see	price
IN	B23-1525	Bath feet oval	p. 308	85 €
IN	B57-0372	Sealing System for baths	p. 325	103 €
IN	B57-0408	Sealing tape on roll 4 m	p. 326	23 €
IN	B57-0407	Tile adhesive protection tape 3300 x 120 mm	p. 327	32 €
IN	Z0008669	Wall Brackets	p. 327	39 €

Waste and overflow fittings

PG	article no.	description	see	Chrome 901	White 000	Key Colours → cover
IN	B640-	BetteMono push control bath waste and overflow fitting, Ø52 mm, enamelled	p. 294		296 €	296 €
IN	B641-	BetteMono Flow push control bath waste and overflow filling fitting, Ø52 mm, enamelled	p. 295		559 €	559 €
IN	B603-	Bath waste and overflow fitting Ø 52 mm, 1070 mm	p. 301	189 €		
IN	B607-	Bath filling, waste and overflow fitting unit Ø 52 mm, 1070 mm	p. 303	457 €		

BetteEve Oval



Information

For professional installation we recommend the use of the original bath feet B23-1525.

For our baths we recommend the enamelled BetteMono waste fittings with push-to-open/close function.

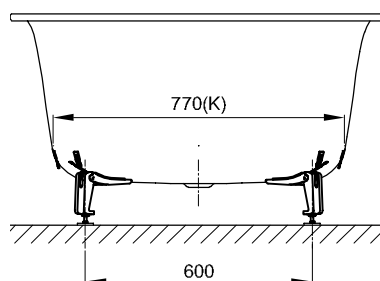
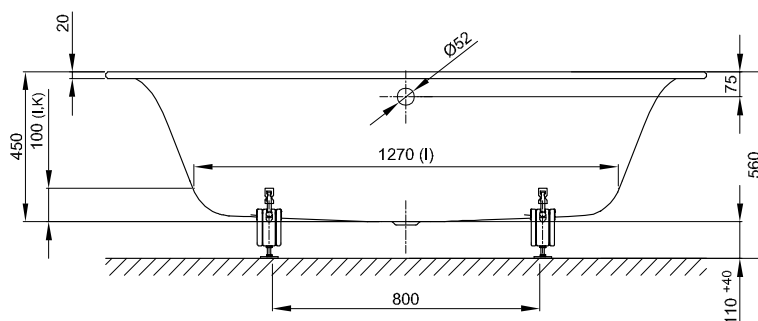
Scope of delivery

Including noise-reducing pads.

Design: Tesseraux + Partner

Availability

The bath BetteEve Oval will only be available until 31 December 2026.



Dimensions

article no.	dimensions in mm	volume*
6043	1800 x 1000 x 450	215 litre

Dimensions

PG	article no.	dimensions in mm	weight (net)	White 000 → cover	Key Colours → cover	Bespoke Colours → cover
ES	6043	1800 x 1000 x 450	47 kg	1.836 €	1.990 €	2.131 €

Extras

PG	code	description	see	price
EX	AS	BetteAnti-Slip Sense - class C*	p. 259	165 €
EX	PLUS	BetteGlaze® Plus	p. 260	138 €
IN		Whirlsystems	p. 134	

*Not available with Glaze® Plus. Only available in combination with White (000).

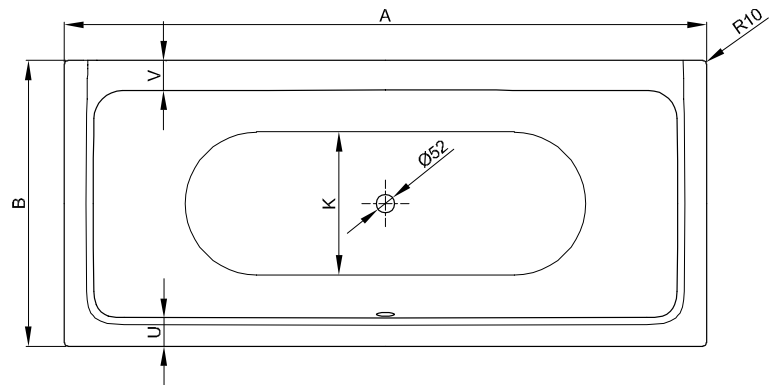
Accessories

PG	article no.	description	see	price
IN	B23-1525	Bath feet oval	p. 308	85 €
IN	B57-0408	Sealing tape on roll 4 m	p. 326	23 €
IN	B57-0407	Tile adhesive protection tape 3300 x 120 mm	p. 327	32 €

Waste and overflow fittings

PG	article no.	description	see	Chrome 901	White 000	Key Colours → cover
IN	B640-	BetteMono push control bath waste and overflow fitting, Ø52 mm, enamelled	p. 294		296 €	296 €
IN	B641-	BetteMono Flow push control bath waste and overflow filling fitting, Ø52 mm, enamelled	p. 295		559 €	559 €
IN	B603-	Bath waste and overflow fitting Ø 52 mm, 1070 mm	p. 301	189 €		
IN	B607-	Bath filling, waste and overflow fitting unit Ø 52 mm, 1070 mm	p. 303	457 €		

BetteFree



Information

Tapholes can be placed on the overflow rim and on both short side rims.

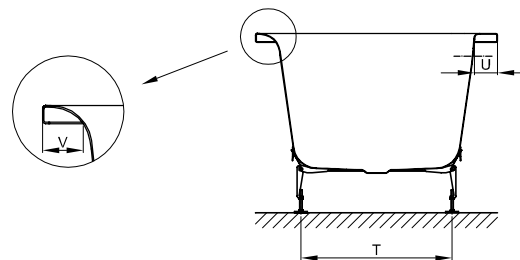
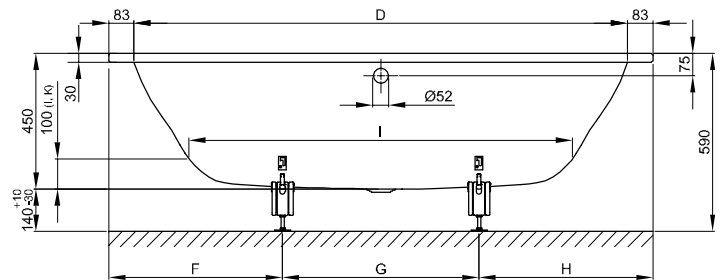
For professional installation we recommend the use of the original bath feet B23-1500.

For our baths we recommend the enamelled BetteMono waste fittings with push-to-open/close function.

Scope of delivery

Including noise-reducing pads.

Design: schmiedem design



Dimensions

article no.	dimensions in mm	A	B	D	F	G	H	I	K	T	U	V	volume*
6829	1700 x 750 x 450	1700	750	1534	555	590	555	1160	485	430	76	68	150 litre
6830	1800 x 800 x 450	1800	800	1634	580	640	580	1260	535	500	76	67	180 litre
6831	1900 x 900 x 450	1900	900	1734	580	740	580	1360	635	580	76	72	210 litre
6832	2000 x 1000 x 450	2000	1000	1834	625	750	625	1460	735	680	76	73	240 litre

*bath capacity = volume + 70 litre human water displacement.

Dimensions

PG	article no.	dimensions in mm	weight (net)	pcs/pallet	White 000 → cover	Key Colours → cover	Bespoke Colours → cover
ES	6829	1700 × 750 × 450	471 kg	15	1.109 €	1.263 €	1.404 €
ES	6830	1800 × 800 × 450	53.1 kg	15	1.219 € 🏠	1.373 €	1.514 €
ES	6831	1900 × 900 × 450	61 kg	15	1.378 € 🏠	1.532 €	1.673 €
ES	6832	2000 × 1000 × 450	67.2 kg	14	1.663 €	1.817 €	1.958 €

Extras

PG	code	description	see	price
EX	AS	BetteAnti-Slip Sense - class C*	p. 259	165 €
EX	PLUS	BetteGlaze® Plus	p. 260	138 €
EX	HLZ	Tapholes and drilling as per special drawing	p. 261	203 €
IN		Whirlsystems	p. 134	

*Not available with Glaze® Plus. Only available in combination with White (000).

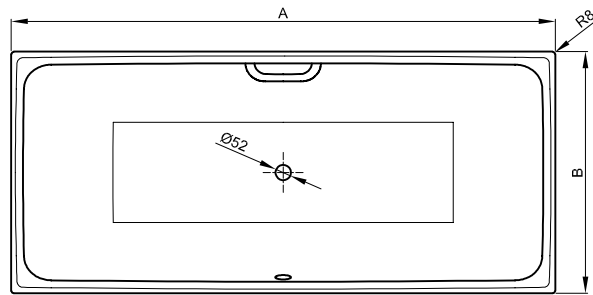
Accessories

PG	article no.	description	see	price
IN	B23-1500	Bath feet universal	p. 308	73 €
IN	B57-0372	Sealing System for baths	p. 325	103 €
IN	B57-0408	Sealing tape on roll 4 m	p. 326	23 €
IN	B57-0407	Tile adhesive protection tape 3300 × 120 mm	p. 327	32 €
IN	Z0008669	Wall Brackets	p. 327	39 €

Waste and overflow fittings

PG	article no.	description	see	Chrome 901	White 000 → cover	Key Colours → cover
IN	B640-	BetteMono push control bath waste and overflow fitting, Ø52 mm, enamelled	p. 294		296 €	296 €
IN	B641-	BetteMono Flow push control bath waste and overflow filling fitting, Ø52 mm, enamelled	p. 295		559 €	559 €
IN	B602-	Bath waste and overflow fitting Ø 52 mm, 725 mm	p. 300	150 €		
IN	B603-	Bath waste and overflow fitting Ø 52 mm, 1070 mm → 1900 × 900 mm, 2000 × 1000 mm	p. 301	189 €		
IN	B606-	Bath filling, waste and overflow fitting unit Ø 52 mm, 725 mm	p. 303	412 €		
IN	B607-	Bath filling, waste and overflow fitting unit Ø 52 mm, 1070 mm → 1900 × 900 mm, 2000 × 1000 mm	p. 303	457 €		

BetteLoft



Information

Due to the folded edge, standard commercially available bath anchors cannot be combined. We therefore recommend the Wall Brackets (item no. Z0008669) for mounting.

For professional installation we recommend the use of the original bath feet B23-1500.

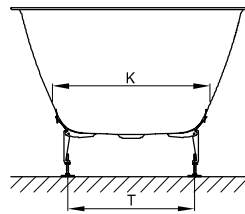
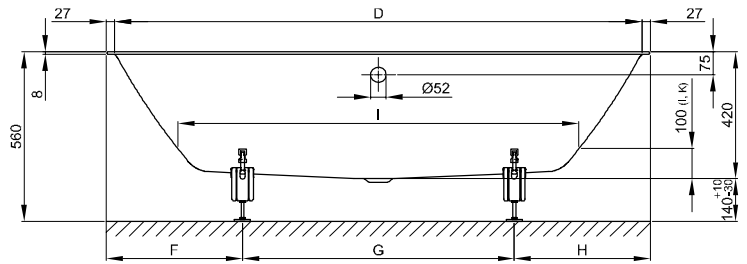
For our baths we recommend the enamelled BetteMono waste fittings with push-to-open/close function.

Available with matching washbasin BetteLoft.
→ p. 230

Scope of delivery

Including noise-reducing pads.

Design: Tesseraux + Partner



Dimensions

article no.	dimensions in mm	A	B	D	F	G	H	I	K	T	volume*
3171	1700 × 800 × 420	1700	800	1646	450	800	450	1223	518	455	156 litre
3172	1800 × 800 × 420	1800	800	1746	450	900	450	1327	521	445	173 litre
3173	1900 × 900 × 420	1900	900	1846	480	940	480	1426	620	455	235 litre

*bath capacity = volume + 70 litre human water displacement.

Dimensions

PG	article no.	dimensions in mm	weight (net)	pcs/pallet	White 000 → cover	Key Colours → cover	Bespoke Colours → cover
ES	3171	1700 × 800 × 420	45 kg	12	1.344 €	1.498 €	1.639 €
ES	3172	1800 × 800 × 420	48 kg	12	1.478 €	1.632 €	1.773 €
ES	3173	1900 × 900 × 420	55 kg	12	1.662 €	1.816 €	1.957 €

Extras

PG	code	description	see	price
EX	AS	BetteAnti-Slip Sense - class C*	p. 259	165 €
EX	PLUS	BetteGlaze® Plus	p. 260	138 €
IN		Whirlsystems	p. 134	

*Not available with Glaze® Plus. Only available in combination with White (000).

Accessories

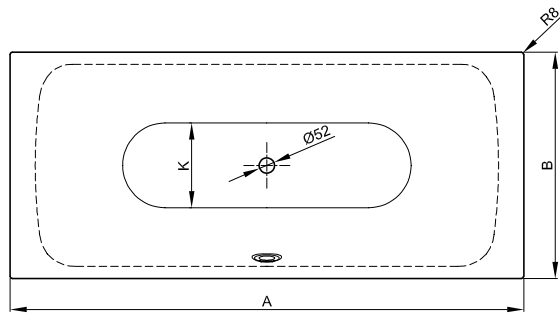
PG	article no.	description	see	price
IN	B23-1500	Bath feet universal	p. 308	73 €
IN	B090-901	Grip B090, Chrome*	p. 333	173 €
IN	B120-901	Grip B120, Chrome*	p. 334	173 €
IN	B57-0372	Sealing System for baths	p. 325	103 €
IN	B57-0408	Sealing tape on roll 4 m	p. 326	23 €
IN	B57-0407	Tile adhesive protection tape 3300 × 120 mm	p. 327	32 €
IN	Z0008669	Wall Brackets	p. 327	39 €

* The baths need to be ordered with the ending 1GR.

Waste and overflow fittings

PG	article no.	description	see	Chrome 901	White 000	Key Colours → cover
IN	B640-	BetteMono push control bath waste and overflow fitting, Ø52 mm, enamelled	p. 294		296 €	296 €
IN	B641-	BetteMono Flow push control bath waste and overflow filling fitting, Ø52 mm, enamelled	p. 295		559 €	559 €
IN	B602-	Bath waste and overflow fitting Ø 52 mm, 725 mm	p. 300	150 €		
IN	B603-	Bath waste and overflow fitting Ø 52 mm, 1070 mm → 1900 × 900 mm	p. 301	189 €		
IN	B606-	Bath filling, waste and overflow fitting unit Ø 52 mm, 725 mm	p. 303	412 €		
IN	B607-	Bath filling, waste and overflow fitting unit Ø 52 mm, 1070 mm → 1900 × 900 mm	p. 303	457 €		

BetteLux



Information

Due to the folded edge, standard commercially available bath anchors cannot be combined. We therefore recommend the Wall Brackets (item no. Z0008669) for mounting.

For professional installation we recommend the use of the original bath feet B23-1500.

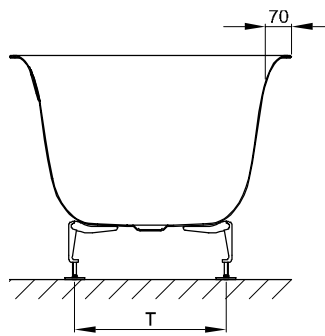
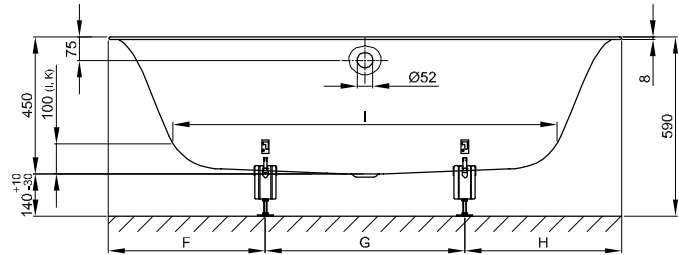
For our baths we recommend the enamelled BetteMono waste fittings with push-to-open/close function.

Available with matching washbasin BetteLux.
→ p. 240

Scope of delivery

Including noise-reducing pads.

Design: Tesseraux + Partner



Dimensions

article no.	dimensions in mm	A	B	F	G	H	I	K	T	volume*
3440	1700 × 750 × 450	1700	750	495	710	495	1270	505	400	156 litre
3441	1800 × 800 × 450	1800	800	495	810	495	1345	545	450	185 litre
3442	1900 × 900 × 450	1900	900	520	860	520	1420	615	500	234 litre

*bath capacity = volume + 70 litre human water displacement.

Dimensions

PG	article no.	dimensions in mm	weight (net)	pcs/pallet	White 000 → cover	Key Colours → cover	Bespoke Colours → cover
ES	3440	1700 × 750 × 450	41 kg	12	1.411 € 🏠	1.565 €	1.706 €
ES	3441	1800 × 800 × 450	45 kg	12	1.552 € 🏠	1.706 €	1.847 €
ES	3442	1900 × 900 × 450	50 kg	12	1.745 € 🏠	1.899 €	2.040 €

Extras

PG	code	description	see	price
EX	AS	BetteAnti-Slip Sense - class C*	p. 259	165 €
EX	PLUS	BetteGlaze® Plus	p. 260	138 €
IN		Whirlsystems	p. 134	

*Not available with Glaze® Plus. Only available in combination with White (000).

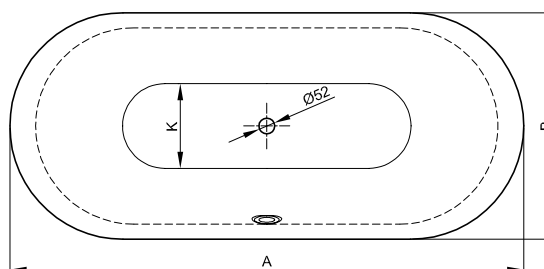
Accessories

PG	article no.	description	see	price
IN	B23-1500	Bath feet universal	p. 308	73 €
IN	B57-0372	Sealing System for baths	p. 325	103 €
IN	B57-0408	Sealing tape on roll 4 m	p. 326	23 €
IN	B57-0407	Tile adhesive protection tape 3300 × 120 mm	p. 327	32 €
IN	Z0008669	Wall Brackets	p. 327	39 €

Waste and overflow fittings

PG	article no.	description	see	Chrome 901	White 000	Key Colours → cover
IN	B640-	BetteMono push control bath waste and overflow fitting, Ø52 mm, enamelled	p. 294		296 €	296 €
IN	B641-	BetteMono Flow push control bath waste and overflow filling fitting, Ø52 mm, enamelled	p. 295		559 €	559 €
IN	B602-	Bath waste and overflow fitting Ø 52 mm, 725 mm	p. 300	150 €		
IN	B603-	Bath waste and overflow fitting Ø 52 mm, 1070 mm → 1900 × 900 mm	p. 301	189 €		
IN	B606-	Bath filling, waste and overflow fitting unit Ø 52 mm, 725 mm	p. 303	412 €		
IN	B607-	Bath filling, waste and overflow fitting unit Ø 52 mm, 1070 mm → 1900 × 900 mm	p. 303	457 €		

BetteLux Oval



Information

Due to the folded edge, standard commercially available bath anchors cannot be combined. We therefore recommend the Wall Brackets (item no. Z0008669) for mounting.

For professional installation we recommend the use of the original bath feet B23-1500.

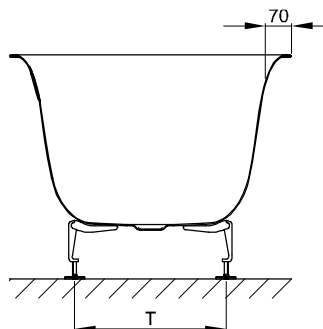
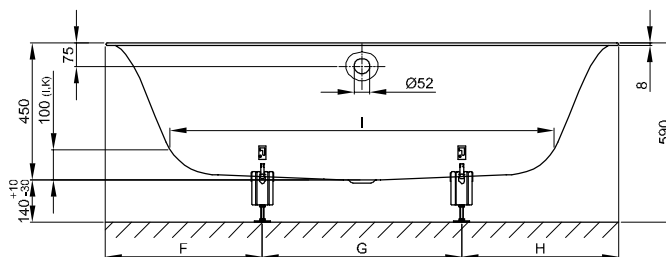
For our baths we recommend the enamelled BetteMono waste fittings with push-to-open/close function.

Available with matching washbasin BetteLux Oval.
→ p. 244

Scope of delivery

Including noise-reducing pads.

Design: Tesseraux + Partner



Dimensions

article no.	dimensions in mm	A	B	F	G	H	I	K	N	volume*
3465	1700 × 750 × 450	1700	750	500	700	500	1270	515	395	150 litre
3466	1800 × 800 × 450	1800	800	500	800	500	1340	545	445	177 litre
3467	1900 × 900 × 450	1900	900	520	860	520	1420	618	545	224 litre

*bath capacity = volume + 70 litre human water displacement.

Dimensions

PG	article no.	dimensions in mm	weight (net)	White 000 → cover	Key Colours → cover	Bespoke Colours → cover
ES	3465	1700 x 750 x 450	43.5 kg	1.854 € ▲	2.008 €	2.149 €
ES	3466	1800 x 800 x 450	47.5 kg	2.039 € ▲	2.193 €	2.334 €
ES	3467	1900 x 900 x 450	52.5 kg	2.224 €	2.378 €	2.519 €

Extras

PG	code	description	see	price
EX	AS	BetteAnti-Slip Sense - class C*	p. 259	165 €
EX	PLUS	BetteGlaze® Plus	p. 260	138 €
IN		Whirlsystems	p. 134	

*Not available with Glaze® Plus. Only available in combination with White (000).

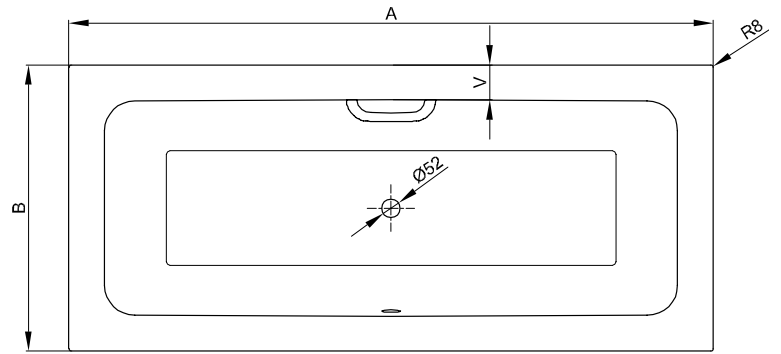
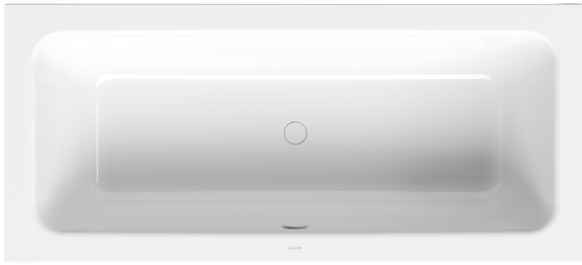
Accessories

PG	article no.	description	see	price
IN	B23-1500	Bath feet universal	p. 308	73 €
IN	B57-0407	Tile adhesive protection tape 3300 x 120 mm	p. 327	32 €
IN	Z0008669	Wall Brackets	p. 327	39 €

Waste and overflow fittings

PG	article no.	description	see	Chrome 901	White 000	Key Colours → cover
IN	B640-	BetteMono push control bath waste and overflow fitting, Ø52 mm, enamelled	p. 294		296 €	296 €
IN	B641-	BetteMono Flow push control bath waste and overflow filling fitting, Ø52 mm, enamelled	p. 295		559 €	559 €
IN	B602-	Bath waste and overflow fitting Ø 52 mm, 725 mm	p. 300	150 €		
IN	B606-	Bath filling, waste and overflow fitting unit Ø 52 mm, 725 mm	p. 303	412 €		

BetteOne



Information

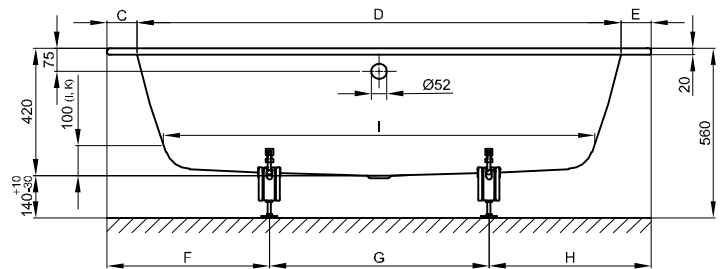
For professional installation we recommend the use of the original bath feet B23-1500.

For our baths we recommend the enamelled BetteMono waste fittings with push-to-open/close function.

This bath is suitable for undermount installation after on-site inspection and proper installation. We can provide you with the relevant cut-out data on request.

The BetteOne, 1900 x 900 x 420 mm, article no. 3314, is not available with BetteUpstands or in special size.

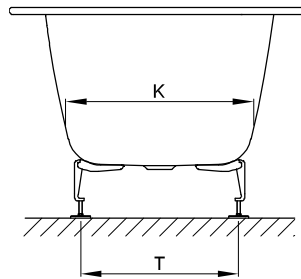
Available with matching washbasin BetteOne.
→ p. 248



Scope of delivery

Including noise-reducing pads.

Design: Tesseraux + Partner



Dimensions

article no.	dimensions in mm	A	B	C	D	E	F	G	H	I	K	T	V	volume*
3310	1600 x 700 x 420	1600	700	90	1420	90	360	880	360	1250	415	345	85	100 litre
3311	1700 x 700 x 420	1700	700	90	1520	90	375	950	375	1340	415	345	90	112 litre
3312	1700 x 750 x 420	1700	750	95	1510	95	375	950	375	1340	455	385	95	129 litre
3313	1800 x 800 x 420	1800	800	100	1600	100	370	1060	370	1420	495	425	100	158 litre
3314	1900 x 900 x 420	1900	900	105	1690	105	400	1100	400	1515	595	525	100	217 litre

*bath capacity = volume + 70 litre human water displacement.

Dimensions

PG	article no.	dimensions in mm	weight (net)	pcs/pallet	White 000 → cover	Key Colours → cover	Bespoke Colours → cover
ES	3310	1600 x 700 x 420	43 kg	14	887 € ▲	1.041 €	1.182 €
ES	3311	1700 x 700 x 420	45 kg	14	887 €	1.041 €	1.182 €
ES	3312	1700 x 750 x 420	49 kg	14	887 € ▲	1.041 €	1.182 €
ES	3313	1800 x 800 x 420	51.8 kg	14	976 € ▲	1.130 €	1.271 €
ES	3314	1900 x 900 x 420	63 kg	14	1.102 €	1.256 €	1.397 €

Extras

PG	code	description	see	price
EX	AS	BetteAnti-Slip Sense - class C*	p. 259	165 €
EX	PLUS	BetteGlaze® Plus	p. 260	138 €
EX	HLZ	Tapholes and drilling as per special drawing	p. 261	203 €
EX		BetteUpstand	p. 264	from 367 €
EX		Special size	p. 270	350 €
EX		Profi Corner	p. 268	from 350 €
IN		Whirlsystems	p. 134	

*Not available with Glaze® Plus. Only available in combination with White (000).

Accessories

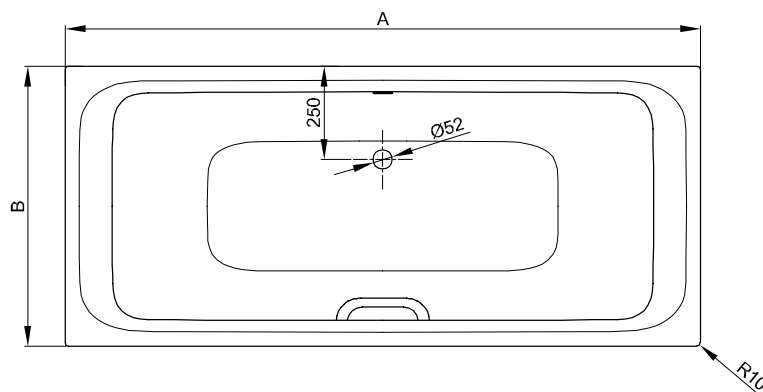
PG	article no.	description	see	price
IN	B23-1500	Bath feet universal	p. 308	73 €
IN	B090-901	Grip B090, Chrome*	p. 333	173 €
IN	B120-901	Grip B120, Chrome*	p. 334	173 €
IN	B57-0372	Sealing System for baths	p. 325	103 €
IN	B57-0408	Sealing tape on roll 4 m	p. 326	23 €
IN	B57-0407	Tile adhesive protection tape 3300 x 120 mm	p. 327	32 €
IN	Z0008669	Wall Brackets	p. 327	39 €

* The baths need to be ordered with the ending 1GR.

Waste and overflow fittings

PG	article no.	description	see	Chrome 901	White 000	Key Colours → cover
IN	B640-	BetteMono push control bath waste and overflow fitting, Ø52 mm, enamelled	p. 294		296 €	296 €
IN	B641-	BetteMono Flow push control bath waste and overflow filling fitting, Ø52 mm, enamelled	p. 295		559 €	559 €
IN	B602-	Bath waste and overflow fitting Ø 52 mm, 725 mm	p. 300	150 €		
IN	B606-	Bath filling, waste and overflow fitting unit Ø 52 mm, 725 mm	p. 303	412 €		

BetteSelect Duo



Information

For professional installation we recommend the use of the original bath feet B23-1500.

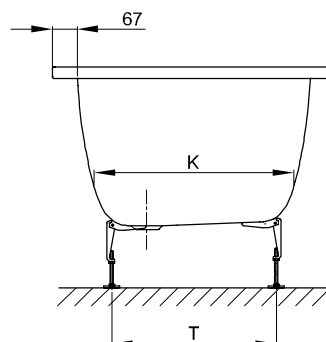
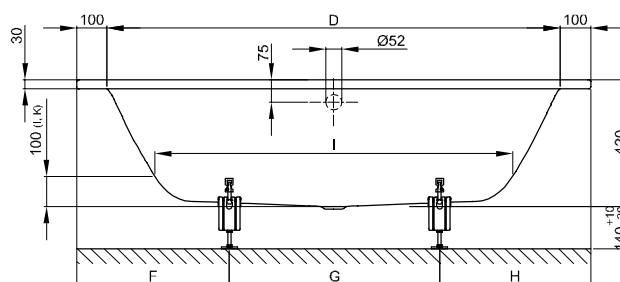
For our baths we recommend the enamelled BetteMono waste fittings with push-to-open/close function.

This bath is suitable for undermount installation after on-site inspection and proper installation. We can provide you with the relevant cut-out data on request.

Scope of delivery

Including noise-reducing pads.

Design: Tesseraux + Partner



Dimensions

article no.	dimensions in mm	A	B	D	F	G	H	I	K	T	volume*
3472	1700 × 750 × 420	1700	750	1500	515	670	515	1185	520	435	134 litre
3473	1800 × 800 × 420	1800	800	1600	480	840	480	1285	570	485	170 litre

*bath capacity = volume + 70 litre human water displacement.

Dimensions

PG	article no.	dimensions in mm	weight (net)	pcs/pallet	White 000 → cover	Key Colours → cover	Bespoke Colours → cover
ES	3472	1700 x 750 x 420	44 kg	10	732 € ▲	886 €	1.027 €
ES	3473	1800 x 800 x 420	48 kg	10	806 € ▲	960 €	1.101 €

Extras

PG	code	description	see	price
EX	AS	BetteAnti-Slip Sense - class C*	p. 259	165 €
EX	PLUS	BetteGlaze® Plus	p. 260	138 €
EX		BetteUpstand	p. 264	from 367 €
EX		Special size	p. 270	350 €
EX		Profi Corner	p. 268	from 350 €
IN		Whirlsystems	p. 134	

*Not available with Glaze® Plus. Only available in combination with White (000).

Accessories

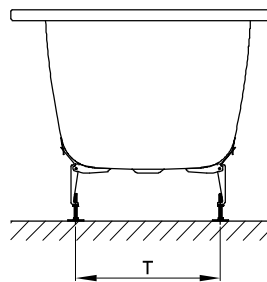
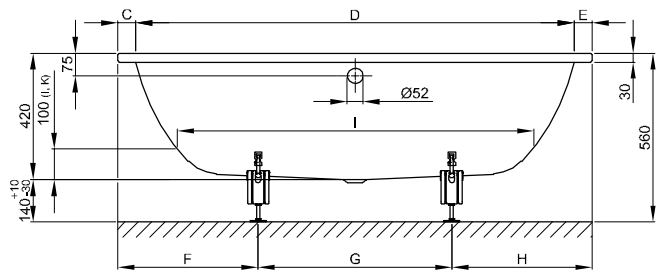
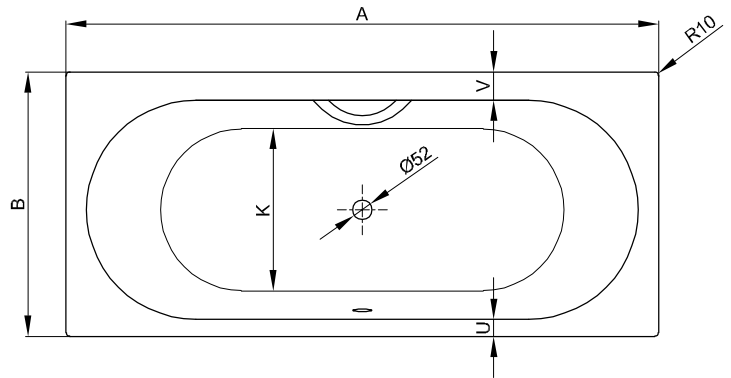
PG	article no.	description	see	price
IN	B23-1500	Bath feet universal	p. 308	73 €
IN	B090-901	Grip B090, Chrome*	p. 333	173 €
IN	B120-901	Grip B120, Chrome*	p. 334	173 €
IN	B57-0372	Sealing System for baths	p. 325	103 €
IN	B57-0408	Sealing tape on roll 4 m	p. 326	23 €
IN	B57-0407	Tile adhesive protection tape 3300 x 120 mm	p. 327	32 €
IN	Z0008669	Wall Brackets	p. 327	39 €

* The baths need to be ordered with the ending 1GR.

Waste and overflow fittings

PG	article no.	description	see	Chrome 901	White 000	Key Colours → cover
IN	B640-	BetteMono push control bath waste and overflow fitting, Ø52 mm, enamelled	p. 294		296 €	296 €
IN	B641-	BetteMono Flow push control bath waste and overflow filling fitting, Ø52 mm, enamelled	p. 295		559 €	559 €
IN	B600-	Bath waste and overflow fitting Ø 52 mm, 560 mm	p. 300	146 €		
IN	B604-	Bath filling, waste and overflow fitting unit Ø 52 mm, 560 mm	p. 301	392 €		

BetteStarlet



Information

For professional installation we recommend the use of the original bath feet B23-1500.

For our baths we recommend the enamelled BetteMono waste fittings with push-to-open/close function.

This bath is suitable for undermount installation after on-site inspection and proper installation. We can provide you with the relevant cut-out data on request.

The BetteStarlet, 1900 x 900 x 420 mm, article no. 1830, is not available with BetteUpstand.

Scope of delivery

Including noise-reducing pads.

Dimensions

article no.	dimensions in mm	A	B	C	D	E	F	G	H	I	K	T	U	V	volume*
1210	1500 x 800 x 420	1500	800	80	1340	80	540	420	540	1070	555	490	80	80	107 litre
2590	1570 x 700 x 420	1570	700	65	1440	65	470	630	470	1170	455	420	65	95	92 litre
2540	1600 x 650 x 420	1600	650	80	1440	80	480	640	480	1170	455	430	55	55	92 litre
1220	1600 x 700 x 420	1600	700	80	1440	80	485	630	485	1170	455	420	80	80	92 litre
1230	1650 x 700 x 420	1650	700	105	1440	105	510	630	510	1170	455	425	80	80	92 litre
1730	1700 x 700 x 420	1700	700	80	1540	80	505	690	505	1270	505	480	55	55	122 litre
1380	1700 x 750 x 420	1700	750	80	1540	80	500	700	500	1270	505	480	80	80	122 litre
1450	1750 x 800 x 420	1750	800	105	1540	105	520	710	520	1270	505	485	105	105	122 litre
1430	1800 x 750 x 420	1800	750	80	1640	80	530	740	530	1370	555	485	55	55	155 litre
1630	1800 x 800 x 420	1800	800	80	1640	80	530	740	530	1370	555	485	80	80	155 litre
1631	1850 x 850 x 420	1850	850	105	1640	105	562	726	562	1370	555	485	105	105	155 litre
1830	1900 x 900 x 420	1900	900	85	1730	85	560	780	560	1465	625	560	80	80	205 litre

*bath capacity = volume + 70 litre human water displacement.

Dimensions

PG	article no.	dimensions in mm	weight (net)	pcs/pallet	White 000 → cover	Key Colours → cover	Bespoke Colours → cover
ES	1210	1500 × 800 × 420	43.53 kg	13	718 €	872 €	1.013 €
ES	2590	1570 × 700 × 420	50 kg	6	718 €	872 €	1.013 €
ES	2540	1600 × 650 × 420	50 kg	6	718 € ▲	872 €	1.013 €
ES	1220	1600 × 700 × 420	42.1 kg	12	718 €	872 €	1.013 €
ES	1230	1650 × 700 × 420	45.5 kg	14	718 €	872 €	1.013 €
ES	1730	1700 × 700 × 420	43.8 kg	14	718 € ▲	872 €	1.013 €
ES	1380	1700 × 750 × 420	46.2 kg	14	718 € ▲	872 €	1.013 €
ES	1450	1750 × 800 × 420	50.9 kg	14	754 € ▲	908 €	1.049 €
ES	1430	1800 × 750 × 420	48.7 kg	14	798 € ▲	952 €	1.093 €
ES	1630	1800 × 800 × 420	51 kg	14	836 € ▲	990 €	1.131 €
ES	1631	1850 × 850 × 420	50 kg	8	929 €	1.083 €	1.224 €
ES	1830	1900 × 900 × 420	57.7 kg	13	1.050 € ▲	1.204 €	1.345 €

Extras

PG	code	description	see	price
EX	AS	BetteAnti-Slip Sense - class C*	p. 259	165 €
EX	PLUS	BetteGlaze® Plus	p. 260	138 €
EX	HLZ	Tapholes and drilling as per special drawing	p. 261	203 €
EX		BetteUpstand	p. 264	from 367 €
EX		Special size	p. 270	350 €
EX		Profi Corner	p. 268	from 350 €
IN		Whirlsystems	p. 134	

*Not available with Glaze® Plus. Only available in combination with White (000).

Accessories

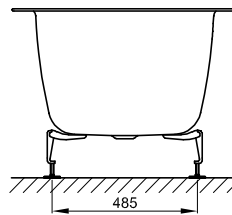
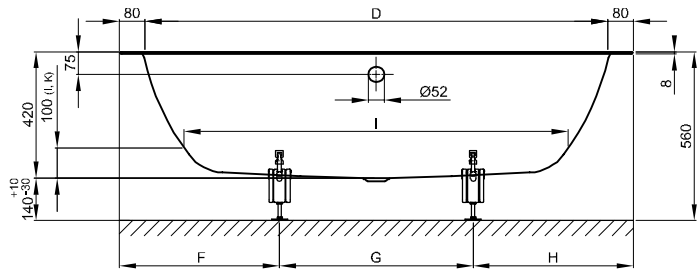
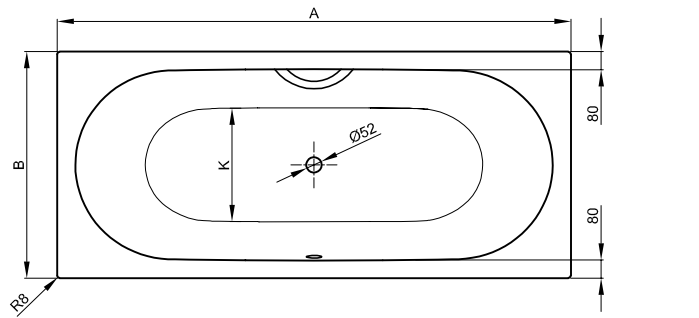
PG	article no.	description	see	price
IN	B23-1500	Bath feet universal	p. 308	73 €
IN	B090-901	Grip B090, Chrome*	p. 333	173 €
IN	B120-901	Grip B120, Chrome*	p. 334	173 €
IN	B57-0372	Sealing System for baths	p. 325	103 €
IN	B57-0408	Sealing tape on roll 4 m	p. 326	23 €
IN	B57-0407	Tile adhesive protection tape 3300 × 120 mm	p. 327	32 €
IN	Z0008669	Wall Brackets	p. 327	39 €

* The baths need to be ordered with the ending 1GR.

Waste and overflow fittings

PG	article no.	description	see	Chrome 901	White 000	Key Colours → cover
IN	B640-	BetteMono push control bath waste and overflow fitting, Ø52 mm, enamelled	p. 294		296 €	296 €
IN	B641-	BetteMono Flow push control bath waste and overflow filling fitting, Ø52 mm, enamelled	p. 295		559 €	559 €
IN	B602-	Bath waste and overflow fitting Ø 52 mm, 725 mm	p. 300	150 €		
IN	B603-	Bath waste and overflow fitting Ø 52 mm, 1070 mm → 1900 × 900 mm	p. 301	189 €		
IN	B606-	Bath filling, waste and overflow fitting unit Ø 52 mm, 725 mm	p. 303	412 €		
IN	B607-	Bath filling, waste and overflow fitting unit Ø 52 mm, 1070 mm → 1900 × 900 mm	p. 303	457 €		

BetteStarlet Spirit



Information

Due to the folded edge, standard commercially available bath anchors cannot be combined. We therefore recommend the Wall Brackets (item no. Z0008669) for mounting.

For professional installation we recommend the use of the original bath feet B23-1500.

For our baths we recommend the enamelled BetteMono waste fittings with push-to-open/close function.

Scope of delivery

Including noise-reducing pads.

Availability

The bath BetteStarlet Spirit will only be available until 31 December 2026.

Dimensions

article no.	dimensions in mm	A	B	D	F	G	H	I	K	volume*
1384	1700 × 750 × 420	1700	750	1540	500	700	500	1270	505	122 litre
1634	1800 × 800 × 420	1800	800	1640	530	740	530	1370	555	155 litre

*bath capacity = volume + 70 litre human water displacement.

Dimensions

PG	article no.	dimensions in mm	weight (net)	pcs/pallet	White 000 → cover	Key Colours → cover	Bespoke Colours → cover
ES	1384	1700 x 750 x 420	42 kg	12	1.344 €	1.498 €	1.639 €
ES	1634	1800 x 800 x 420	48 kg	12	1.478 € ▲	1.632 €	1.773 €

Extras

PG	code	description	see	price
EX	AS	BetteAnti-Slip Sense - class C*	p. 259	165 €
EX	PLUS	BetteGlaze® Plus	p. 260	138 €
EX	HLZ	Tapholes and drilling as per special drawing	p. 261	203 €
IN		Whirlsystems	p. 134	

*Not available with Glaze® Plus. Only available in combination with White (000).

Accessories

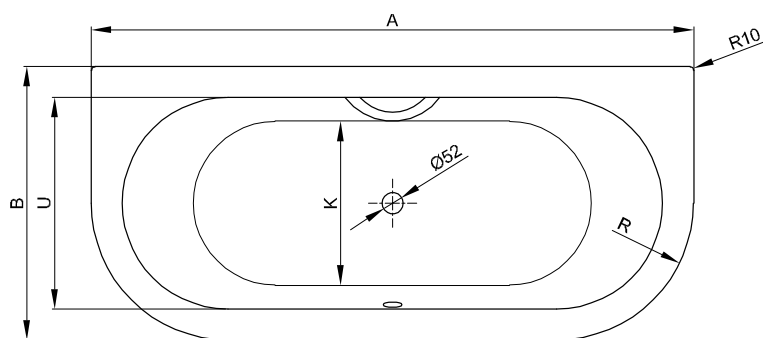
PG	article no.	description	see	price
IN	B23-1500	Bath feet universal	p. 308	73 €
IN	B090-901	Grip B090, Chrome*	p. 333	173 €
IN	B120-901	Grip B120, Chrome*	p. 334	173 €
IN	B57-0372	Sealing System for baths	p. 325	103 €
IN	B57-0408	Sealing tape on roll 4 m	p. 326	23 €
IN	B57-0407	Tile adhesive protection tape 3300 x 120 mm	p. 327	32 €
IN	Z0008669	Wall Brackets	p. 327	39 €

* The baths need to be ordered with the ending 1GR.

Waste and overflow fittings

PG	article no.	description	see	Chrome 901	White 000	Key Colours → cover
IN	B640-	BetteMono push control bath waste and overflow fitting, Ø52 mm, enamelled	p. 294		296 €	296 €
IN	B641-	BetteMono Flow push control bath waste and overflow filling fitting, Ø52 mm, enamelled	p. 295		559 €	559 €
IN	B602-	Bath waste and overflow fitting Ø 52 mm, 725 mm	p. 300	150 €		
IN	B606-	Bath filling, waste and overflow fitting unit Ø 52 mm, 725 mm	p. 303	412 €		

BetteStarlet I



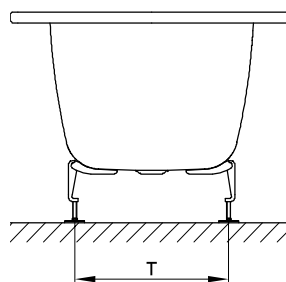
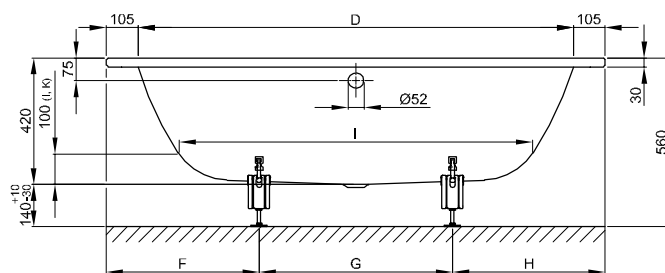
Information

For professional installation we recommend the use of the original bath feet B23-1500.

For our baths we recommend the enamelled BetteMono waste fittings with push-to-open/close function.

Scope of delivery

Including noise-reducing pads.



Dimensions

article no.	dimensions in mm	A	B	D	F	G	H	I	K	R	T	U	volume*
8300	1650 × 750 × 420	1650	750	1440	505	640	505	1170	455	375	420	540	92 litre
8310	1750 × 800 × 420	1750	800	1540	510	730	510	1270	505	400	470	590	122 litre
8320	1850 × 850 × 420	1850	850	1640	550	750	550	1370	555	425	530	640	155 litre

*bath capacity = volume + 70 litre human water displacement.

Dimensions

PG	article no.	dimensions in mm	weight (net)	pcs/pallet	White 000 → cover	Key Colours → cover	Bespoke Colours → cover
ES	8300	1650 x 750 x 420	48 kg	6	1.738 €	1.892 €	2.033 €
ES	8310	1750 x 800 x 420	48 kg	6	1.824 €	1.978 €	2.119 €
ES	8320	1850 x 850 x 420	48 kg	8	1.911 €	2.065 €	2.206 €

Extras

PG	code	description	see	price
EX	AS	BetteAnti-Slip Sense - class C*	p. 259	165 €
EX	PLUS	BetteGlaze® Plus	p. 260	138 €
EX	HLZ	Tapholes and drilling as per special drawing	p. 261	203 €
EX		Profi Corner	p. 268	from 350 €
IN		Whirlsystems	p. 134	

*Not available with Glaze® Plus. Only available in combination with White (000).

Accessories

PG	article no.	description	see	price
IN	B23-1500	Bath feet universal	p. 308	73 €
IN	B090-901	Grip B090, Chrome*	p. 333	173 €
IN	B120-901	Grip B120, Chrome*	p. 334	173 €
IN	B57-0372	Sealing System for baths	p. 325	103 €
IN	B57-0408	Sealing tape on roll 4 m	p. 326	23 €
IN	B57-0407	Tile adhesive protection tape 3300 x 120 mm	p. 327	32 €
IN	Z0008669	Wall Brackets	p. 327	39 €

* The baths need to be ordered with the ending 1GR.

Waste and overflow fittings

PG	article no.	description	see	Chrome 901	White 000	Key Colours → cover
IN	B640-	BetteMono push control bath waste and overflow fitting, Ø52 mm, enamelled	p. 294		296 €	296 €
IN	B641-	BetteMono Flow push control bath waste and overflow filling fitting, Ø52 mm, enamelled	p. 295		559 €	559 €
IN	B602-	Bath waste and overflow fitting Ø 52 mm, 725 mm	p. 300	150 €		
IN	B606-	Bath filling, waste and overflow fitting unit Ø 52 mm, 725 mm	p. 303	412 €		

BetteStarlet IV



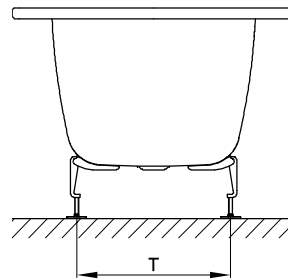
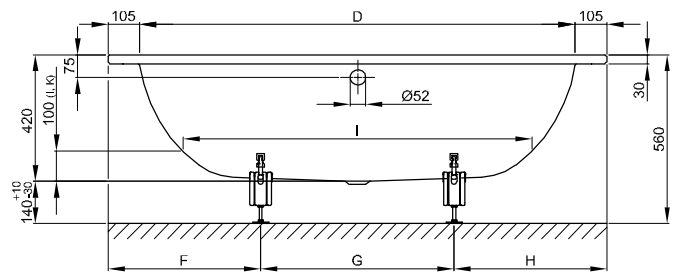
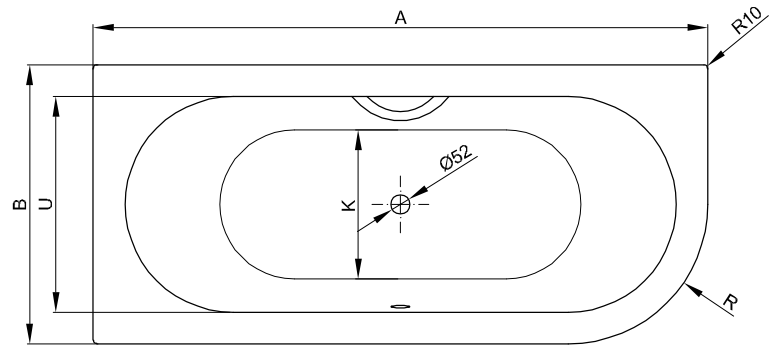
Information

For professional installation we recommend the use of the original bath feet B23-1500.

For our baths we recommend the enamelled BetteMono waste fittings with push-to-open/close function.

Scope of delivery

Including noise-reducing pads.



Dimensions

article no.	dimensions in mm	A	B	D	F	G	H	I	K	R	T	U	volume*
6650	1650 × 750 × 420	1650	750	1440	500	650	500	1170	455	375	420	540	92 litre
6660	1750 × 800 × 420	1750	800	1540	550	650	550	1270	505	400	470	590	122 litre
6670	1850 × 850 × 420	1850	850	1640	550	750	550	1370	555	425	530	640	155 litre

*bath capacity = volume + 70 litre human water displacement.

Dimensions

PG	article no.	dimensions in mm	weight (net)	pcs/pallet	White 000 → cover	Key Colours → cover	Bespoke Colours → cover
ES	6650	1650 x 750 x 420	44 kg	6	1.738 €	1.892 €	2.033 €
ES	6660	1750 x 800 x 420	49 kg	6	1.824 €	1.978 €	2.119 €
ES	6670	1850 x 850 x 420	54 kg	6	1.911 €	2.065 €	2.206 €

Extras

PG	code	description	see	price
EX	AS	BetteAnti-Slip Sense - class C*	p. 259	165 €
EX	PLUS	BetteGlaze® Plus	p. 260	138 €
EX	HLZ	Tapholes and drilling as per special drawing	p. 261	203 €
EX		Profi Corner	p. 268	from 350 €
IN		Whirlsystems	p. 134	

*Not available with Glaze® Plus. Only available in combination with White (000).

Accessories

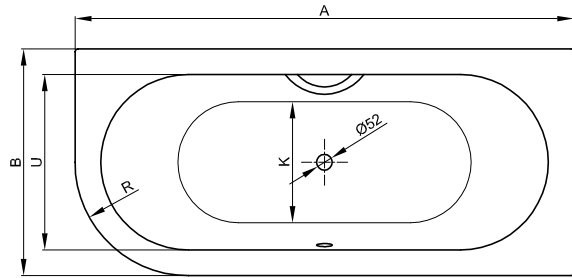
PG	article no.	description	see	price
IN	B23-1500	Bath feet universal	p. 308	73 €
IN	B090-901	Grip B090, Chrome*	p. 333	173 €
IN	B120-901	Grip B120, Chrome*	p. 334	173 €
IN	B57-0372	Sealing System for baths	p. 325	103 €
IN	B57-0408	Sealing tape on roll 4 m	p. 326	23 €
IN	B57-0407	Tile adhesive protection tape 3300 x 120 mm	p. 327	32 €
IN	Z0008669	Wall Brackets	p. 327	39 €

* The baths need to be ordered with the ending 1GR.

Waste and overflow fittings

PG	article no.	description	see	Chrome 901	White 000	Key Colours → cover
IN	B640-	BetteMono push control bath waste and overflow fitting, Ø52 mm, enamelled	p. 294		296 €	296 €
IN	B641-	BetteMono Flow push control bath waste and overflow filling fitting, Ø52 mm, enamelled	p. 295		559 €	559 €
IN	B602-	Bath waste and overflow fitting Ø 52 mm, 725 mm	p. 300	150 €		
IN	B606-	Bath filling, waste and overflow fitting unit Ø 52 mm, 725 mm	p. 303	412 €		

BetteStarlet V



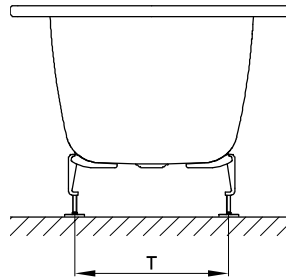
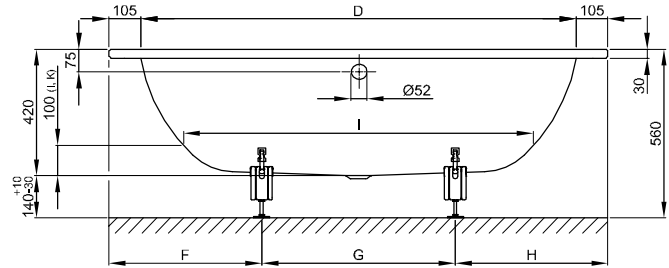
Information

For professional installation we recommend the use of the original bath feet B23-1500.

For our baths we recommend the enamelled BetteMono waste fittings with push-to-open/close function.

Scope of delivery

Including noise-reducing pads.



Dimensions

article no.	dimensions in mm	A	B	D	F	G	H	I	K	R	T	U	volume*
6680	1650 × 750 × 420	1650	750	1440	505	640	505	1170	455	375	420	540	92 litre
6690	1750 × 800 × 420	1750	800	1540	550	650	550	1270	505	400	470	590	122 litre
6700	1850 × 850 × 420	1850	850	1640	550	750	550	1370	555	425	530	640	155 litre

*bath capacity = volume + 70 litre human water displacement.

Dimensions

PG	article no.	dimensions in mm	weight (net)	pcs/pallet	White 000 → cover	Key Colours → cover	Bespoke Colours → cover
ES	6680	1650 x 750 x 420	44.3 kg	6	1.738 €	1.892 €	2.033 €
ES	6690	1750 x 800 x 420	48 kg	6	1.824 €	1.978 €	2.119 €
ES	6700	1850 x 850 x 420	48 kg	6	1.911 €	2.065 €	2.206 €

Extras

PG	code	description	see	price
EX	AS	BetteAnti-Slip Sense - class C*	p. 259	165 €
EX	PLUS	BetteGlaze® Plus	p. 260	138 €
EX	HLZ	Tapholes and drilling as per special drawing	p. 261	203 €
EX		Profi Corner	p. 268	from 350 €
IN		Whirlsystems	p. 134	

*Not available with Glaze® Plus. Only available in combination with White (000).

Accessories

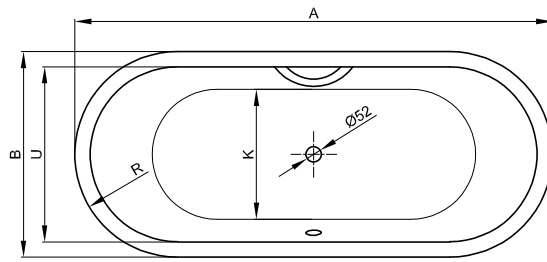
PG	article no.	description	see	price
IN	B23-1500	Bath feet universal	p. 308	73 €
IN	B090-901	Grip B090, Chrome*	p. 333	173 €
IN	B120-901	Grip B120, Chrome*	p. 334	173 €
IN	B57-0372	Sealing System for baths	p. 325	103 €
IN	B57-0408	Sealing tape on roll 4 m	p. 326	23 €
IN	B57-0407	Tile adhesive protection tape 3300 x 120 mm	p. 327	32 €
IN	Z0008669	Wall Brackets	p. 327	39 €

* The baths need to be ordered with the ending 1GR.

Waste and overflow fittings

PG	article no.	description	see	Chrome 901	White 000	Key Colours → cover
IN	B640-	BetteMono push control bath waste and overflow fitting, Ø52 mm, enamelled	p. 294		296 €	296 €
IN	B641-	BetteMono Flow push control bath waste and overflow filling fitting, Ø52 mm, enamelled	p. 295		559 €	559 €
IN	B602-	Bath waste and overflow fitting Ø 52 mm, 725 mm	p. 300	150 €		
IN	B606-	Bath filling, waste and overflow fitting unit Ø 52 mm, 725 mm	p. 303	412 €		

BetteStarlet Flair Oval



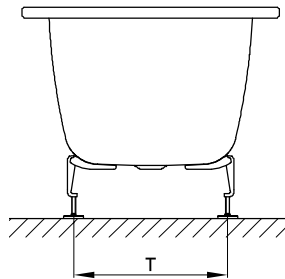
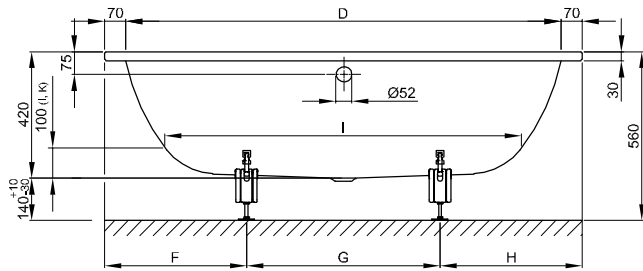
Information

For professional installation we recommend the use of the original bath feet B23-1500.

For our baths we recommend the enamelled BetteMono waste fittings with push-to-open/close function.

Scope of delivery

Including noise-reducing pads.



Dimensions

article no.	dimensions in mm	A	B	D	F	G	H	I	K	R	T	U	volume*
8772	1580 × 680 × 420	1580	680	1440	460	660	460	1170	455	340	420	540	92 litre
8773	1680 × 730 × 420	1680	730	1540	490	700	490	1270	505	365	470	590	122 litre
8774	1780 × 780 × 420	1780	780	1640	530	720	530	1370	555	390	530	640	155 litre
8775	1880 × 880 × 420	1880	880	1740	555	770	555	1465	625	440	560	740	205 litre

*bath capacity = volume + 70 litre human water displacement.

Dimensions

PG	article no.	dimensions in mm	weight (net)	pcs/pallet	White 000 → cover	Key Colours → cover	Bespoke Colours → cover
ES	8772	1580 x 680 x 420	39.6 kg	14	1.357 €	1.511 €	1.652 €
ES	8773	1680 x 730 x 420	43.4 kg	14	1.357 €	1.511 €	1.652 €
ES	8774	1780 x 780 x 420	47.9 kg	14	1.425 €	1.579 €	1.720 €
ES	8775	1880 x 880 x 420	51.5 kg	14	1.493 €	1.647 €	1.788 €

Extras

PG	code	description	see	price
EX	AS	BetteAnti-Slip Sense - class C*	p. 259	165 €
EX	PLUS	BetteGlaze® Plus	p. 260	138 €
IN		Whirlsystems	p. 134	

*Not available with Glaze® Plus. Only available in combination with White (000).

Accessories

PG	article no.	description	see	price
IN	B23-1500	Bath feet universal	p. 308	73 €
IN	B090-901	Grip B090, Chrome*	p. 333	173 €
IN	B120-901	Grip B120, Chrome*	p. 334	173 €
IN	B57-0408	Sealing tape on roll 4 m	p. 326	23 €
IN	B57-0407	Tile adhesive protection tape 3300 x 120 mm	p. 327	32 €
IN	Z0008669	Wall Brackets	p. 327	39 €

* The baths need to be ordered with the ending 1GR.

Waste and overflow fittings

PG	article no.	description	see	Chrome 901	White 000	Key Colours → cover
IN	B640-	BetteMono push control bath waste and overflow fitting, Ø52 mm, enamelled	p. 294		296 €	296 €
IN	B641-	BetteMono Flow push control bath waste and overflow filling fitting, Ø52 mm, enamelled	p. 295		559 €	559 €
IN	B602-	Bath waste and overflow fitting Ø 52 mm, 725 mm	p. 300	150 €		
IN	B603-	Bath waste and overflow fitting Ø 52 mm, 1070 mm → 1880 x 880 mm	p. 301	189 €		
IN	B606-	Bath filling, waste and overflow fitting unit Ø 52 mm, 725 mm	p. 303	412 €		
IN	B607-	Bath filling, waste and overflow fitting unit Ø 52 mm, 1070 mm → 1880 x 880 mm	p. 303	457 €		

BetteStarlet Hexa



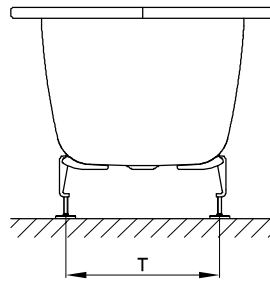
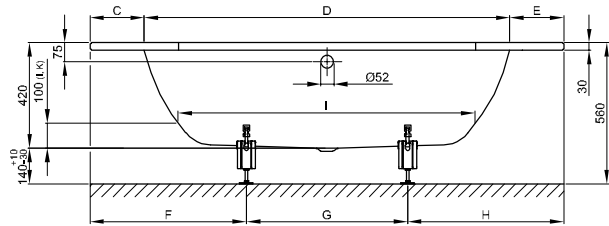
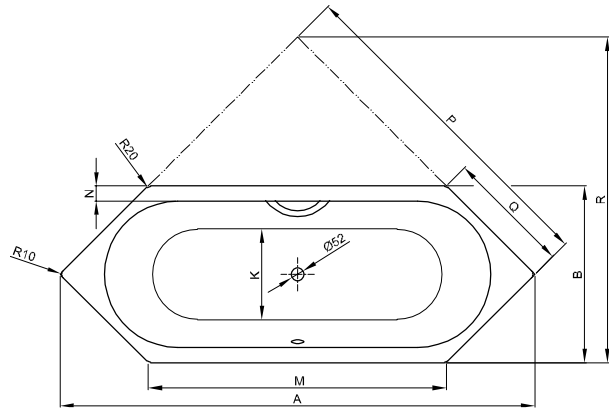
Information

For professional installation we recommend the use of the original bath feet B23-1500.

For our baths we recommend the enamelled BetteMono waste fittings with push-to-open/close function.

Scope of delivery

Including noise-reducing pads.



Dimensions

article no.	dimensions in mm	A	B	C	D	E	F	G	H	I	K	M	N	P	Q	R	T	volume*
2040	1880 x 700 x 420	1880	700	220	1440	220	635	610	635	1170	455	1180	495	1330	80	1290	425	92 litre
2060	2000 x 750 x 420	2000	750	230	1540	230	637	725	637	1270	505	1250	530	1415	85	1375	480	122 litre
2080	2100 x 800 x 420	2100	800	230	1640	230	687	726	687	1370	555	1300	565	1485	85	1450	485	155 litre

*bath capacity = volume + 70 litre human water displacement.

Dimensions

PG	article no.	dimensions in mm	weight (net)	White 000 → cover	Key Colours → cover	Bespoke Colours → cover
ES	2040	1880 x 700 x 420	43 kg	1.825 €	1.979 €	2.120 €
ES	2060	2000 x 750 x 420	48 kg	2.157 €	2.311 €	2.452 €
ES	2080	2100 x 800 x 420	57 kg	2.157 €	2.311 €	2.452 €

Extras

PG	code	description	see	price
EX	AS	BetteAnti-Slip Sense - class C*	p. 259	165 €
EX	PLUS	BetteGlaze® Plus	p. 260	138 €
EX	HLZ	Tapholes and drilling as per special drawing	p. 261	203 €
IN		Whirlsystems	p. 134	

*Not available with Glaze® Plus. Only available in combination with White (000).

Accessories

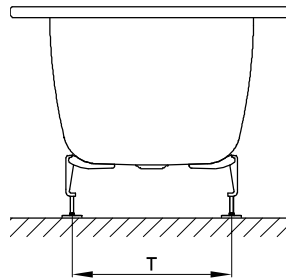
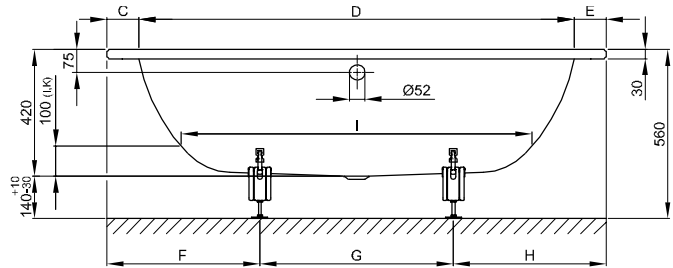
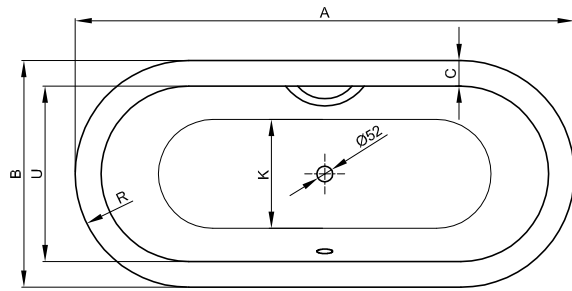
PG	article no.	description	see	price
IN	B23-1500	Bath feet universal	p. 308	73 €
IN	B090-901	Grip B090, Chrome*	p. 333	173 €
IN	B120-901	Grip B120, Chrome*	p. 334	173 €
IN	B57-0408	Sealing tape on roll 4 m	p. 326	23 €
IN	B57-0407	Tile adhesive protection tape 3300 x 120 mm	p. 327	32 €
IN	Z0008669	Wall Brackets	p. 327	39 €

* The baths need to be ordered with the ending 1GR.

Waste and overflow fittings

PG	article no.	description	see	Chrome 901	White 000	Key Colours → cover
IN	B640-	BetteMono push control bath waste and overflow fitting, Ø52 mm, enamelled	p. 294		296 €	296 €
IN	B641-	BetteMono Flow push control bath waste and overflow filling fitting, Ø52 mm, enamelled	p. 295		559 €	559 €
IN	B602-	Bath waste and overflow fitting Ø 52 mm, 725 mm	p. 300	150 €		
IN	B606-	Bath filling, waste and overflow fitting unit Ø 52 mm, 725 mm	p. 303	412 €		

BetteStarlet Oval



Information

For professional installation we recommend the use of the original bath feet B23-1500.

For our baths we recommend the enamelled BetteMono waste fittings with push-to-open/close function.

The Bette Starlet Oval, 1500 x 800 x 420, article no. 2700, is not available with the BetteSpa whirlpool system.

Scope of delivery

Including noise-reducing pads.

Dimensions

article no.	dimensions in mm	A	B	C	D	E	F	G	H	I	K	R	T	U	volume*
2700	1500 x 800 x 420	1500	800	80	1340	80	540	420	540	1070	555	400	495	640	107 litre
2720	1650 x 750 x 420	1650	750	105	1440	105	520	610	520	1170	455	375	420	540	92 litre
2680	1750 x 800 x 420	1750	800	105	1540	105	510	730	510	1270	505	400	470	590	122 litre
2740	1850 x 850 x 420	1850	850	105	1640	105	560	730	560	1370	555	425	530	640	155 litre
2745	1950 x 950 x 420	1950	950	105	1740	105	590	770	590	1465	625	475	560	740	205 litre

*bath capacity = volume + 70 litre human water displacement.

Dimensions

PG	article no.	dimensions in mm	weight (net)	pcs/pallet	White 000 → cover	Key Colours → cover	Bespoke Colours → cover
ES	2700	1500 x 800 x 420	36.6 kg	9	1.267 €	1.421 €	1.562 €
ES	2720	1650 x 750 x 420	48 kg	12	1.267 €	1.421 €	1.562 €
ES	2680	1750 x 800 x 420	47.7 kg	14	1.330 €	1.484 €	1.625 €
ES	2740	1850 x 850 x 420	50.5 kg	14	1.394 €	1.548 €	1.689 €
ES	2745	1950 x 950 x 420	54 kg	12	1.629 €	1.783 €	1.924 €

Extras

PG	code	description	see	price
EX	AS	BetteAnti-Slip Sense - class C*	p. 259	165 €
EX	PLUS	BetteGlaze® Plus	p. 260	138 €
EX	HLZ	Tapholes and drilling as per special drawing	p. 261	203 €
IN		Whirlsystems	p. 134	

*Not available with Glaze® Plus. Only available in combination with White (000).

Accessories

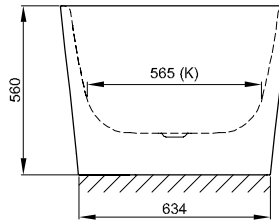
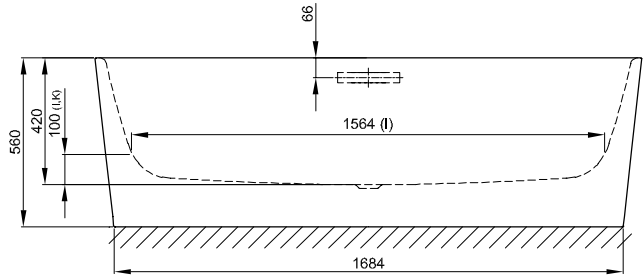
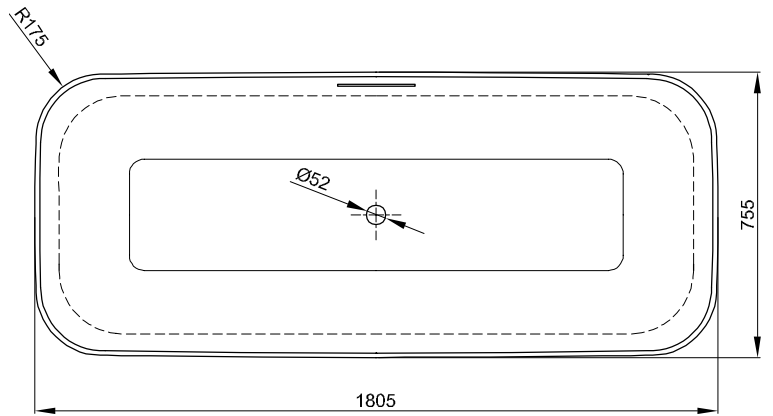
PG	article no.	description	see	price
IN	B23-1500	Bath feet universal	p. 308	73 €
IN	B090-901	Grip B090, Chrome*	p. 333	173 €
IN	B120-901	Grip B120, Chrome*	p. 334	173 €
IN	B57-0408	Sealing tape on roll 4 m	p. 326	23 €
IN	B57-0407	Tile adhesive protection tape 3300 x 120 mm	p. 327	32 €
IN	Z0008669	Wall Brackets	p. 327	39 €

* The baths need to be ordered with the ending 1GR.

Waste and overflow fittings

PG	article no.	description	see	Chrome 901	White 000	Key Colours → cover
IN	B640-	BetteMono push control bath waste and overflow fitting, Ø52 mm, enamelled	p. 294		296 €	296 €
IN	B641-	BetteMono Flow push control bath waste and overflow filling fitting, Ø52 mm, enamelled	p. 295		559 €	559 €
IN	B602-	Bath waste and overflow fitting Ø 52 mm, 725 mm	p. 300	150 €		
IN	B603-	Bath waste and overflow fitting Ø 52 mm, 1070 mm → 1950 x 950 mm	p. 301	189 €		
IN	B606-	Bath filling, waste and overflow fitting unit Ø 52 mm, 725 mm	p. 303	412 €		
IN	B607-	Bath filling, waste and overflow fitting unit Ø 52 mm, 1070 mm → 1950 x 950 mm	p. 303	457 €		

BetteArt



Information

The special waste and overflow fitting BetteArt is compulsory for installation. The BetteArt waste and overflow comes prefitted. If ordered with waste and overflow with filling unit the bath comes with prefitted Sanifix tube for water supply. A flexible drain pipe is included in delivery.

Available with matching washbasin BetteArt or BetteArt Monolith.
→ p. 206

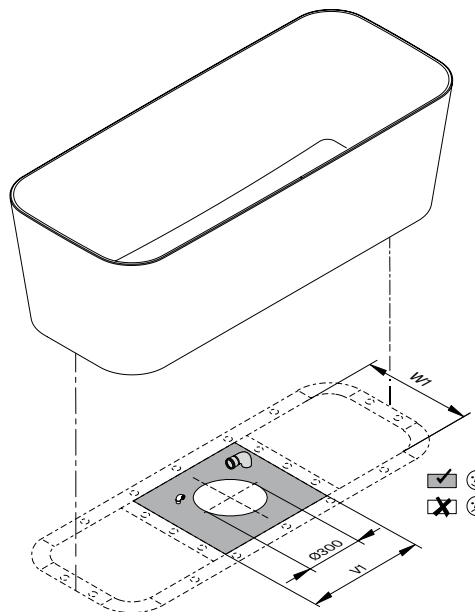
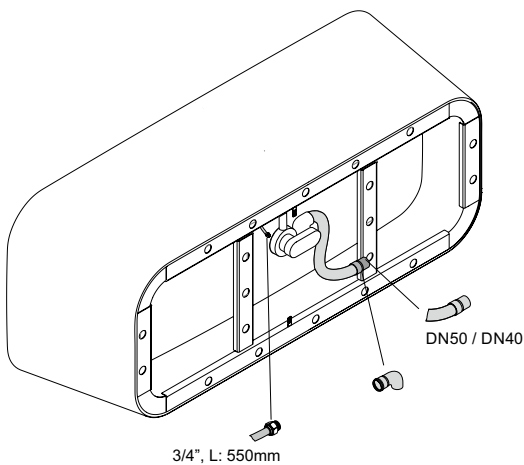
Scope of delivery

Including noise-reducing pads.

Design: Tesseraux + Partner

Availability

The bath BetteArt will only be available until 31 December 2026.



Adequate position to connect the drainage

Dimensions

article no.	dimensions in mm	V1	W1	volume*
3480 CFXXK	1805 x 755 x 420	570	480	248 litre

*bath capacity = volume + 70 litre human water displacement.

Dimensions

PG	article no.	dimensions in mm	weight (net)	White 000 → cover	Key Colours → cover	Bespoke Colours → cover
ES	3480 CFXXK	1805 x 755 x 420	113 kg	5.388 €	6.063 €	6.443 €

Please note the ordering information on page 5, in particular the position of the colour number.

Extras

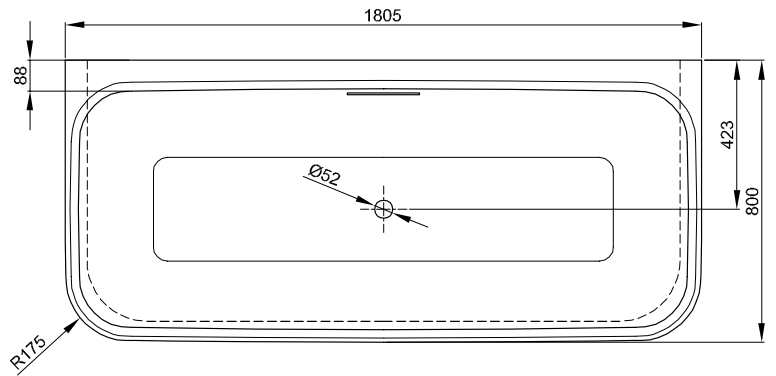
PG	code	description	see	price
EX	AS	BetteAnti-Slip Sense - class C*	p. 259	165 €
EX	PLUS	BetteGlaze® Plus	p. 260	138 €

*Not available with Glaze® Plus. Only available in combination with White (000).

Waste and overflow fittings (required accessories)

PG	article no.	description	see	Chrome 901	White 000
IN	B614-	Bath waste and overflow fitting BetteArt	p. 304	629 €	697 €
IN	B615-	Bath filling, waste and overflow fitting unit Trio BetteArt, 725 mm	p. 304	954 €	1.123 €

BetteArt I



Information

The special waste and overflow fitting BetteArt is compulsory for installation. The BetteArt waste and overflow comes prefitted. If ordered with waste and overflow with filling unit the bath comes with prefitted Sanfix tube for water supply. A flexible drain pipe is included in delivery.

Available with matching washbasin BetteArt or BetteArt Monolith.
→ p. 206

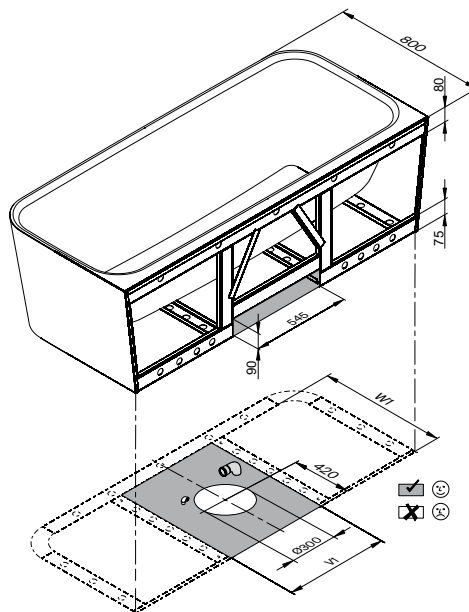
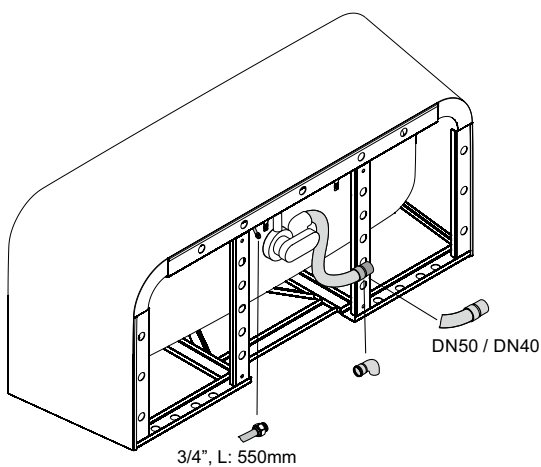
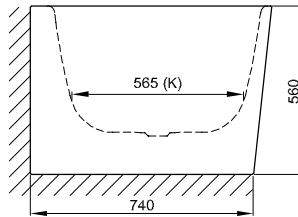
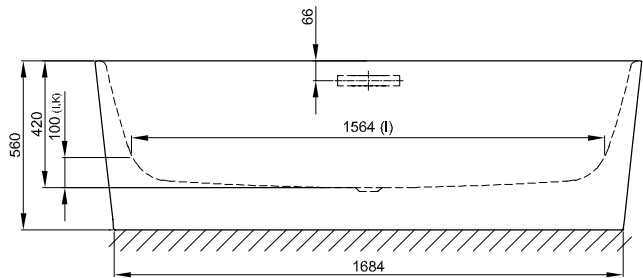
Scope of delivery

Including noise-reducing pads.

Design: Tesseraux + Partner

Availability

The bath BetteArt I will only be available until 31 December 2026.



Dimensions

article no.	dimensions in mm	V1	W1	volume*
3480 CQVHK	1805 x 800 x 420	545	665	248 litre

*bath capacity = volume + 70 litre human water displacement.

Dimensions

PG	article no.	dimensions in mm	weight (net)	White 000 → cover	Key Colours → cover	Bespoke Colours → cover
ES	3480 CWWHK	1805 x 800 x 420	105 kg	5.174 €	5.849 €	6.229 €

Please note the ordering information on page 5, in particular the position of the colour number.

Extras

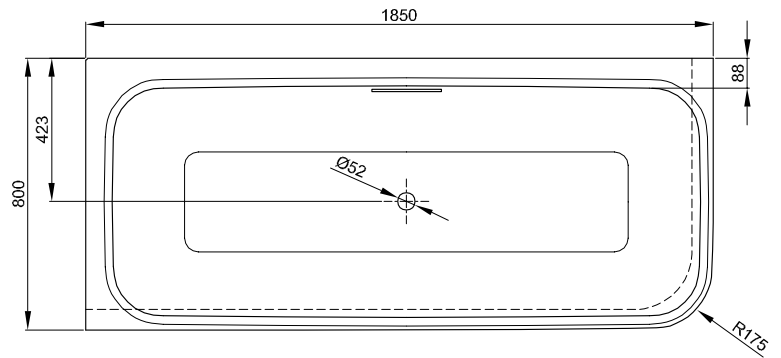
PG	code	description	see	price
EX	AS	BetteAnti-Slip Sense - class C*	p. 259	165 €
EX	PLUS	BetteGlaze® Plus	p. 260	138 €

*Not available with Glaze® Plus. Only available in combination with White (000).

Waste and overflow fittings (required accessories)

PG	article no.	description	see	Chrome 901	White 000
IN	B614-	Bath waste and overflow fitting BetteArt	p. 304	629 €	697 €
IN	B615-	Bath filling, waste and overflow fitting unit Trio BetteArt, 725 mm	p. 304	954 €	1.123 €

BetteArt IV



Information

The special waste and overflow fitting BetteArt is compulsory for installation. The BetteArt waste and overflow comes prefitted. If ordered with waste and overflow with filling unit the bath comes with prefitted Sanfix tube for water supply. A flexible drain pipe is included in delivery.

Available with matching washbasin BetteArt or BetteArt Monolith.
→ p. 206

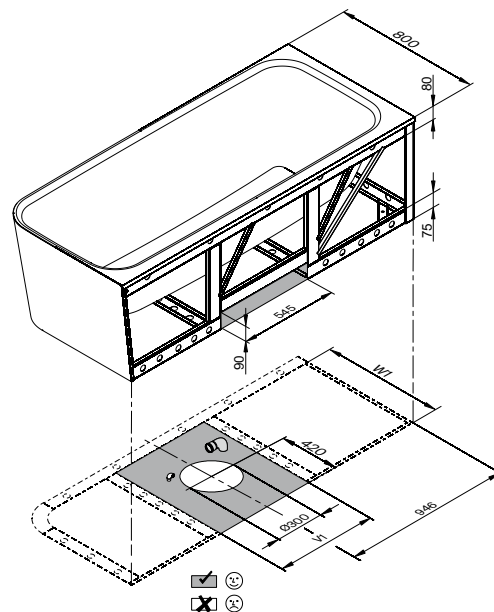
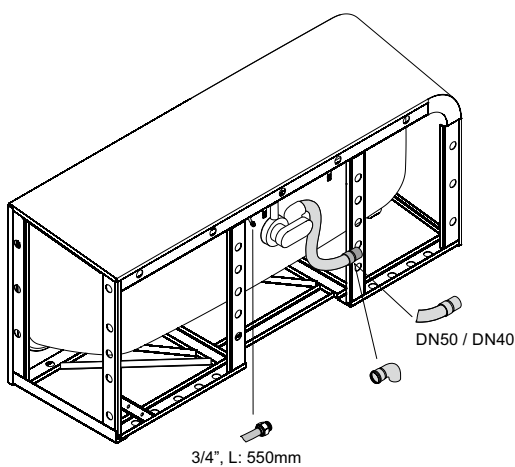
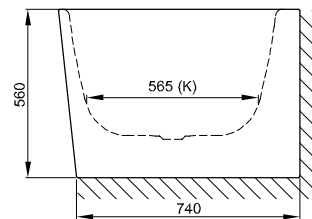
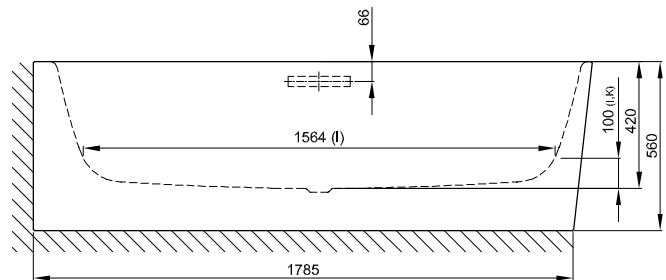
Scope of delivery

Including noise-reducing pads.

Design: Tesseraux + Partner

Availability

The bath BetteArt IV will only be available until 31 December 2026.



Dimensions

article no.	dimensions in mm	V1	W1	volume*
3480 CERHK	1850 x 800 x 420	545	665	248 litre

*bath capacity = volume + 70 litre human water displacement.

Dimensions

PG	article no.	dimensions in mm	weight (net)	White 000 → cover	Key Colours → cover	Bespoke Colours → cover
ES	3480 CERHK	1850 x 800 x 420	93 kg	5.174 €	5.849 €	6.229 €

Please note the ordering information on page 5, in particular the position of the colour number.

Extras

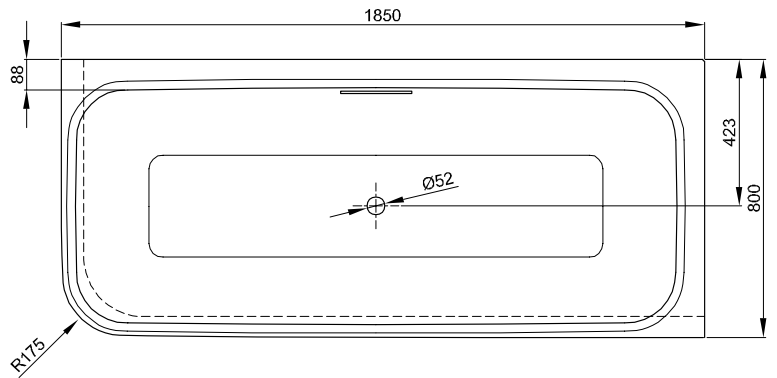
PG	code	description	see	price
EX	AS	BetteAnti-Slip Sense - class C*	p. 259	165 €
EX	PLUS	BetteGlaze® Plus	p. 260	138 €

*Not available with Glaze® Plus. Only available in combination with White (000).

Waste and overflow fittings (required accessories)

PG	article no.	description	see	Chrome 901	White 000
IN	B614-	Bath waste and overflow fitting BetteArt	p. 304	629 €	697 €
IN	B615-	Bath filling, waste and overflow fitting unit Trio BetteArt, 725 mm	p. 304	954 €	1.123 €

BetteArt V



Information

The special waste and overflow fitting BetteArt is compulsory for installation. The BetteArt waste and overflow comes prefitted. If ordered with waste and overflow with filling unit the bath comes with prefitted Sanfix tube for water supply. A flexible drain pipe is included in delivery.

Available with matching washbasin BetteArt or BetteArt Monolith.
→ p. 206

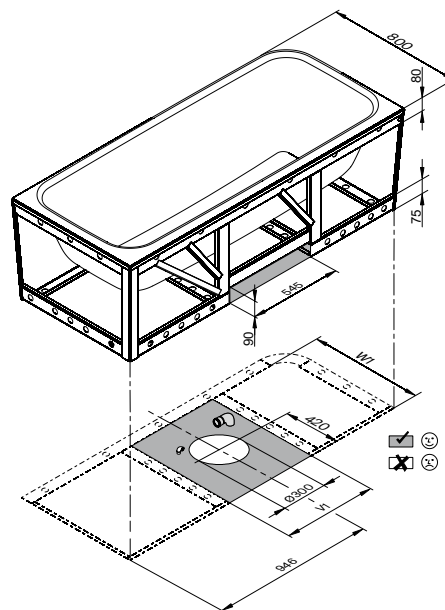
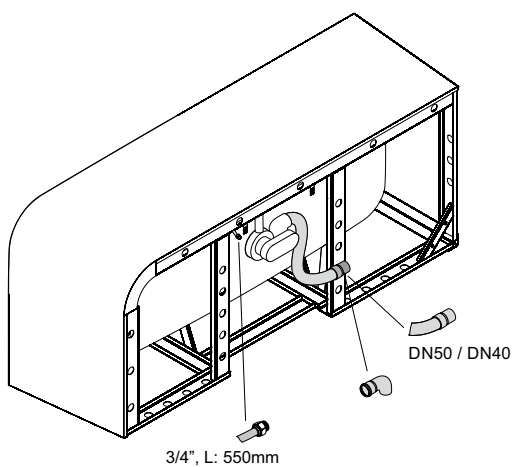
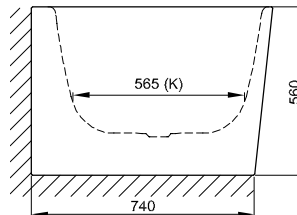
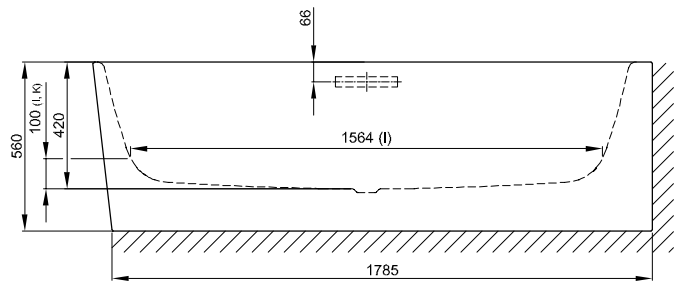
Scope of delivery

Including noise-reducing pads.

Design: Tesseraux + Partner

Availability

The bath BetteArt V will only be available until 31 December 2026.



Adequate position to connect the drainage

Dimensions

article no.	dimensions in mm	V1	W1	volume*
3480 CELHK	1850 x 800 x 420	545	665	248 litre

*bath capacity = volume + 70 litre human water displacement.

Dimensions

PG	article no.	dimensions in mm	weight (net)	White 000 → cover	Key Colours → cover	Bespoke Colours → cover
ES	3480 CELHK	1850 x 800 x 420	93 kg	5.174 €	5.849 €	6.229 €

Please note the ordering information on page 5, in particular the position of the colour number.

Extras

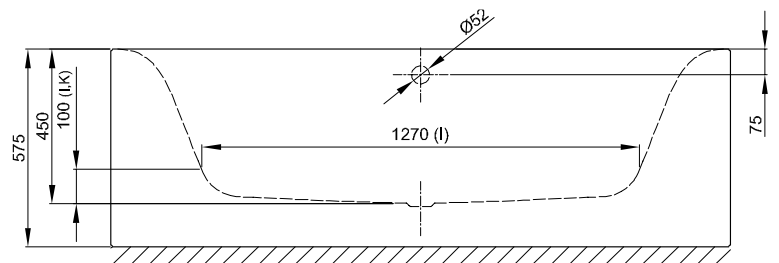
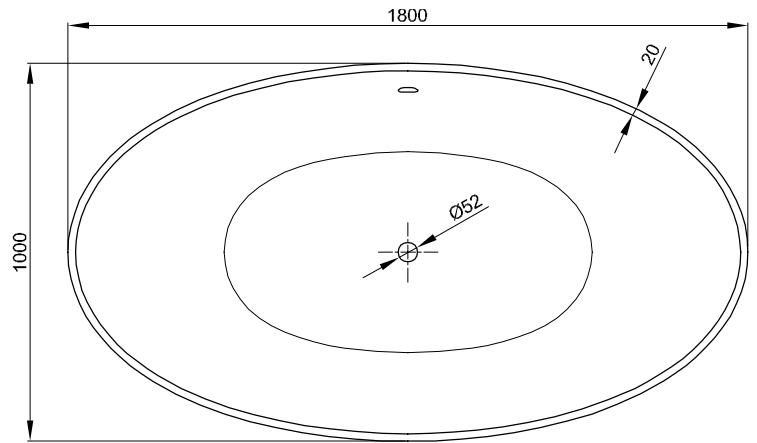
PG	code	description	see	price
EX	AS	BetteAnti-Slip Sense - class C*	p. 259	165 €
EX	PLUS	BetteGlaze® Plus	p. 260	138 €

*Not available with Glaze® Plus. Only available in combination with White (000).

Waste and overflow fittings (required accessories)

PG	article no.	description	see	Chrome 901	White 000
IN	B614-	Bath waste and overflow fitting BetteArt	p. 304	629 €	697 €
IN	B615-	Bath filling, waste and overflow fitting unit Trio BetteArt, 725 mm	p. 304	954 €	1.123 €

BetteEve Oval Silhouette

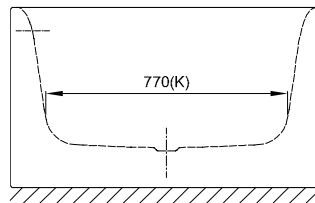


Information

For our baths we recommend the enamelled BetteMono waste fittings with push-to-open/close function.

If this bath is ordered with waste fitting this will come prefitted. If ordered with Trio waste the bath comes with prefitted Sanfix tube for water supply. A flexible drain pipe is generally included in delivery.

If combined with BetteWhirlsystems it is necessary to provide an adequate air supply under the bath.



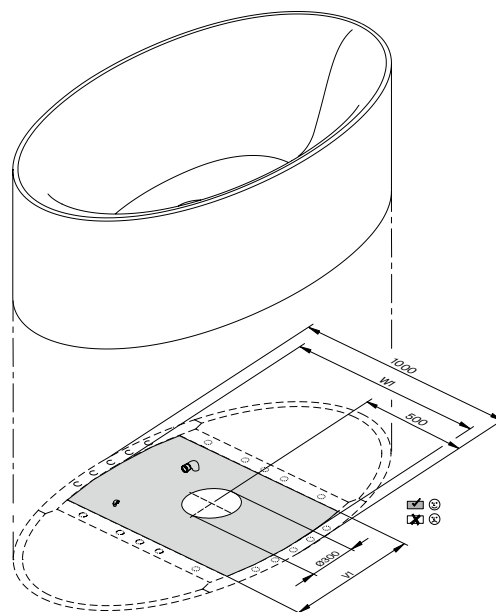
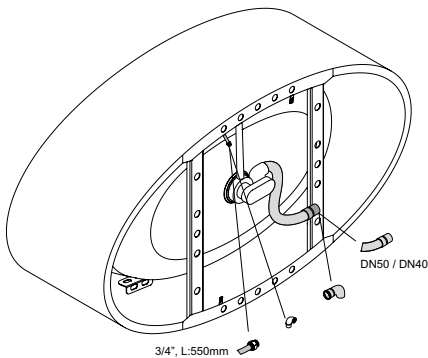
Scope of delivery

Including noise-reducing pads.

Design: Tesseraux + Partner

Availability

The bath BetteEve Oval Silhouette will only be available until 31 December 2026.



Dimensions

article no.	dimensions in mm	V1	W1	volume*
6043 CFXXS	1800 x 1000 x 450	630	880	215 litre

*bath capacity = volume + 70 litre human water displacement.

Dimensions

PG	article no.	dimensions in mm	weight (net)	White 000 → cover	Key Colours → cover	Bespoke Colours → cover	Bicolour → cover
ES	6043 CFXXS	1800 x 1000 x 450	95 kg	4.551 €	5.226 €	5.606 €	6.442 €

Please note the ordering information on page 5, in particular the position of the colour number.

Extras

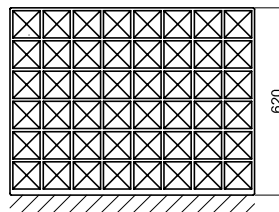
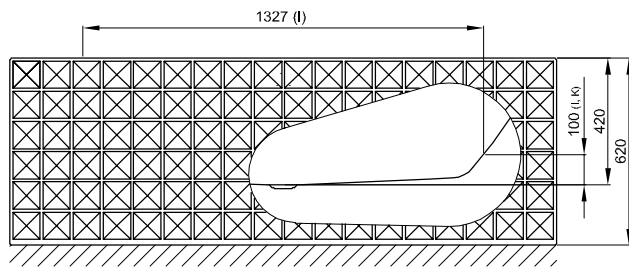
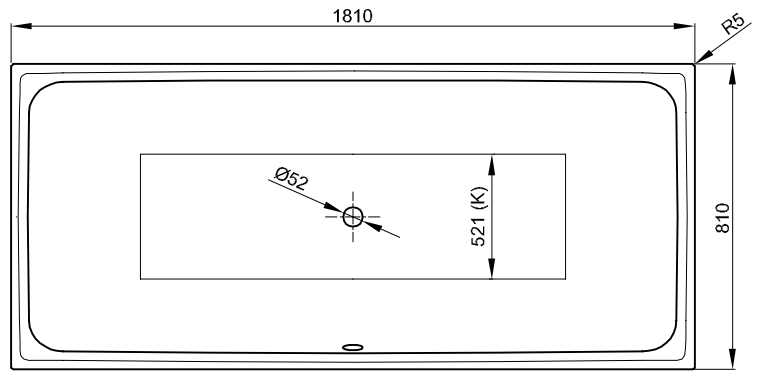
PG	code	description	see	price
EX	AS	BetteAnti-Slip Sense - class C*	p. 259	165 €
EX	PLUS	BetteGlaze® Plus	p. 260	138 €
IN		Whirlsystems	p. 134	

*Not available with Glaze® Plus. Only available in combination with White (000).

Waste and overflow fittings

PG	article no.	description	see	White 000	Key Colours → cover
IN	B642-	BetteMono Silhouette push control bath waste and overflow fitting, Ø52 mm, enamelled	p. 296	425 €	425 €
IN	B643-	BetteMono Flow Silhouette push control bath waste and overflow filling fitting, Ø52 mm, enamelled	p. 297	780 €	780 €

BetteLoft Ornament



Information

For our baths we recommend the enamelled BetteMono waste fittings with push-to-open/close function.

If this bath is ordered with waste fitting this will come prefitted. If ordered with Trio waste the bath comes with prefitted Sanfix tube for water supply. A flexible drain pipe is generally included in delivery.

Available with matching washbasin BetteLoft Ornament.
→ p. 236

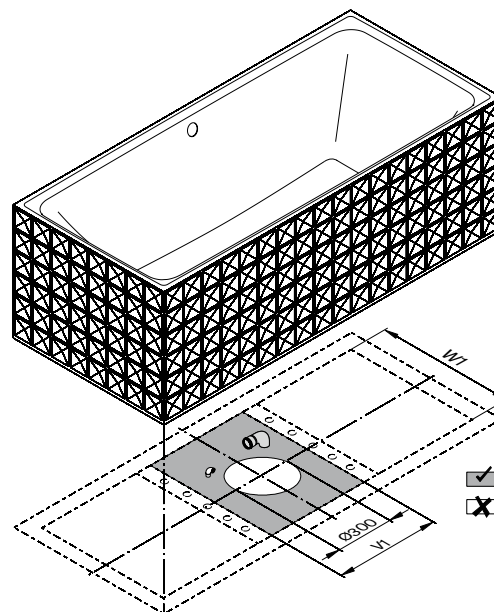
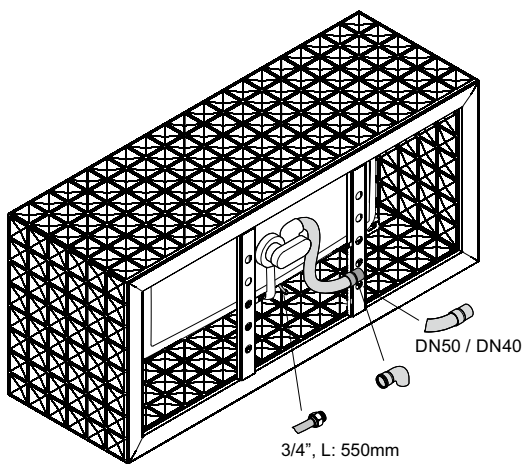
Scope of delivery

Including noise-reducing pads.

Design: Tesseraux + Partner

Availability

The bath BetteLoft Ornament will only be available until 31 December 2026.



Adequate position to connect the drainage

Dimensions

article no.	dimensions in mm	V1	W1	volume*
3172 CFXX6A	1810 × 810 × 420	495	650	173 litre

*bath capacity = volume + 70 litre human water displacement.

Dimensions

PG	article no.	dimensions in mm	weight (net)	White 000 → cover	Key Colours → cover	Bespoke Colours → cover
ES	3172 CFXX6A	1810 x 810 x 420	110 kg	5.644 €	6.319 €	6.699 €

Please note the ordering information on page 5, in particular the position of the colour number.

Extras

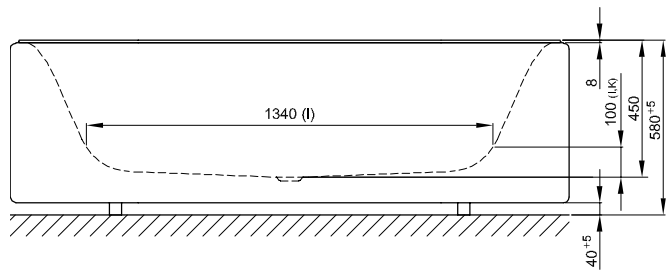
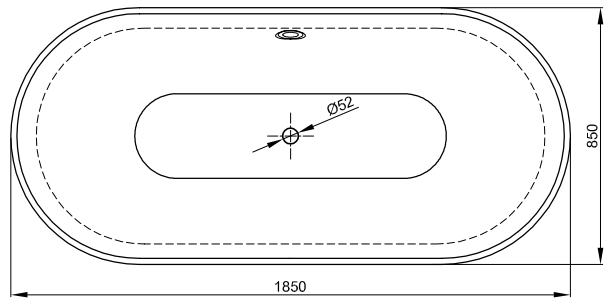
PG	code	description	see	price
EX	AS	BetteAnti-Slip Sense - class C*	p. 259	165 €
EX	PLUS	BetteGlaze® Plus	p. 260	138 €

*Not available with Glaze® Plus. Only available in combination with White (000).

Waste and overflow fittings

PG	article no.	description	see	Chrome 901	White 000 → cover	Key Colours → cover
IN	B642-	BetteMono Silhouette push control bath waste and overflow fitting, Ø52 mm, enamelled	p. 296		425 €	425 €
IN	B643-	BetteMono Flow Silhouette push control bath waste and overflow filling fitting, Ø52 mm, enamelled	p. 297		780 €	780 €
IN	B601-	Bath waste and overflow fitting Silhouette Ø 52 mm, 725 mm	p. 302	209 €		
IN	B605-	Bath filling, waste and overflow fitting unit Silhouette Ø 52 mm, 725 mm	p. 302	591 €		

BetteLux Oval Couture



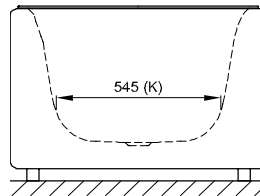
Information

Bath and upholstered fabric panel are fixed at the factory, but must be ordered separately.

For our baths we recommend the enamelled BetteMono waste fittings with push-to-open/close function.

If this bath is ordered with waste fitting this will come prefitted. If ordered with Trio waste the bath comes with prefitted Sanfix tube for water supply. A flexible drain pipe is generally included in delivery.

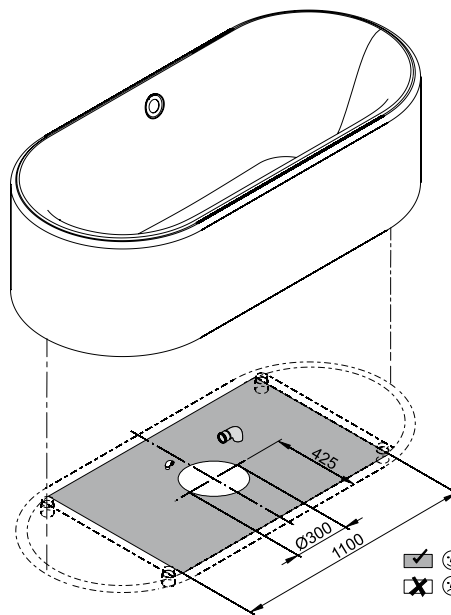
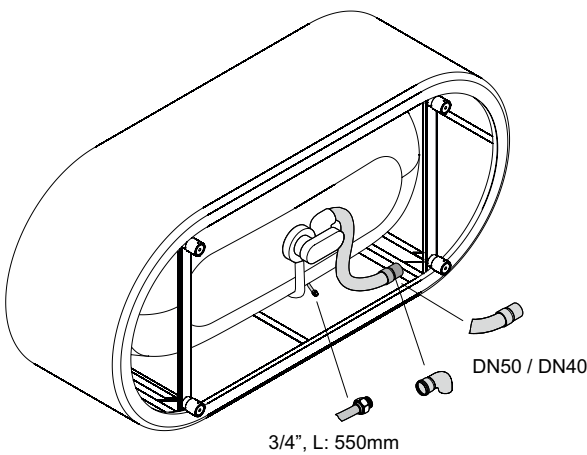
Available with matching washbasin BetteLux Oval Couture.
→ p. 246



Scope of delivery

Including noise-reducing pads.

Design: Tesseraux + Partner



Dimensions

article no.	dimensions in mm	volume*
3466 TX	1800 x 800 x 450	177 litre

Dimensions

PG	article no.	dimensions in mm	weight (net)	White 000 → cover	Key Colours → cover	Bespoke Colours → cover
ES	3466 TX	1800 x 800 x 450	47.5 kg	2.039 €	2.193 €	2.334 €

Please note the ordering information on page 5, in particular the position of the colour number.

Extras

PG	code	description	see	price
EX	AS	BetteAnti-Slip Sense - class C*	p. 259	165 €
EX	PLUS	BetteGlaze® Plus	p. 260	138 €

*Not available with Glaze® Plus. Only available in combination with White (000).

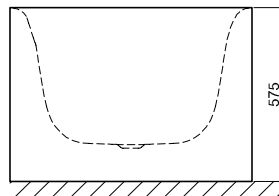
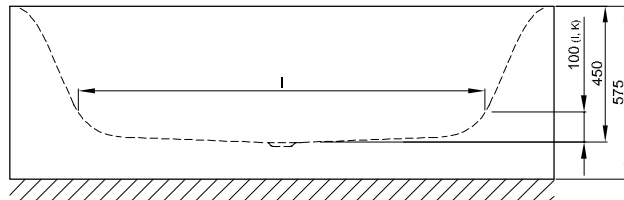
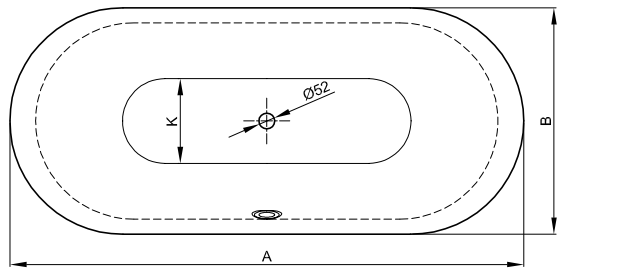
Waste and overflow fittings

PG	article no.	description	see	Chrome 901	White 000 → cover	Key Colours → cover
IN	B642-	BetteMono Silhouette push control bath waste and overflow fitting, Ø52 mm, enamelled	p. 296		425 €	425 €
IN	B643-	BetteMono Flow Silhouette push control bath waste and overflow filling fitting, Ø52 mm, enamelled	p. 297		780 €	780 €
IN	B601-	Bath waste and overflow fitting Silhouette Ø 52 mm, 725 mm	p. 302	209 €		
IN	B605-	Bath filling, waste and overflow fitting unit Silhouette Ø 52 mm, 725 mm	p. 302	591 €		

Upholstered Fabric-panel (required accessories)

PG	article no.	dimensions in mm	Ivory 850 Elephant 852 Carbon 853 → cover
IN	B804-	1850 x 850 x 580	9.205 €

BetteLux Oval Silhouette



Information

For our baths we recommend the enamelled BetteMono waste fittings with push-to-open/close function.

If this bath is ordered with waste fitting this will come prefitted. If ordered with Trio waste the bath comes with prefitted Sanfix tube for water supply. A flexible drain pipe is generally included in delivery.

If combined with BetteWhirlsystems it is necessary to provide an adequate air supply under the bath.

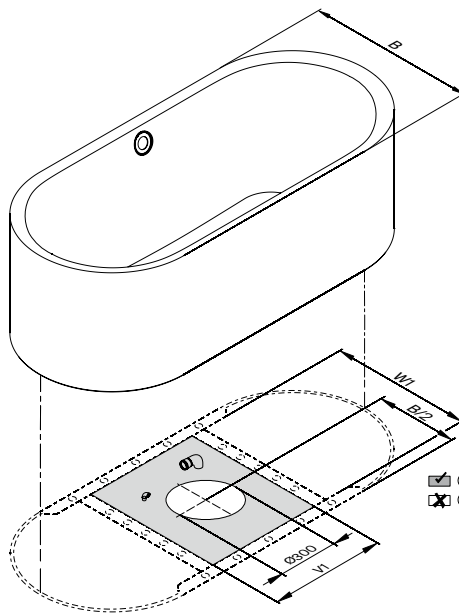
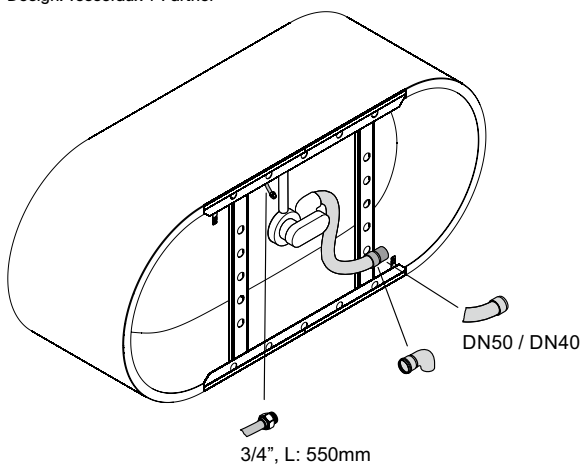
The BetteSpring Tap is not possible with this model in combination with the BetteWhirlsystem.

Available with matching washbasin BetteLux Oval.
→ p. 244

Scope of delivery

Including noise-reducing pads.

Design: Tesseraux + Partner



Adequate position to connect the drainage

Dimensions

article no.	dimensions in mm	A	B	I	K	V1	W1	volume*
3465 CFXXS	1700 × 750 × 450	1700	750	1270	515	500	630	150 litre
3466 CFXXS	1800 × 800 × 450	1800	800	1340	545	550	680	177 litre
3467 CFXXS	1900 × 900 × 450	1900	900	1420	618	650	780	224 litre

*bath capacity = volume + 70 litre human water displacement.

Dimensions

PG	article no.	dimensions in mm	weight (net)	White 000 → cover	Key Colours → cover	Bespoke Colours → cover	Bicolour → cover
ES	3465 CFXXS	1700 x 750 x 450	111 kg	4.334 €	5.009 €	5.389 €	6.225 €
ES	3466 CFXXS	1800 x 800 x 450	118 kg	4.768 €	5.443 €	5.823 €	6.659 €
ES	3467 CFXXS	1900 x 900 x 450	124 kg	5.201 €	5.876 €	6.256 €	7.092 €

Please note the ordering information on page 5, in particular the position of the colour number.

Extras

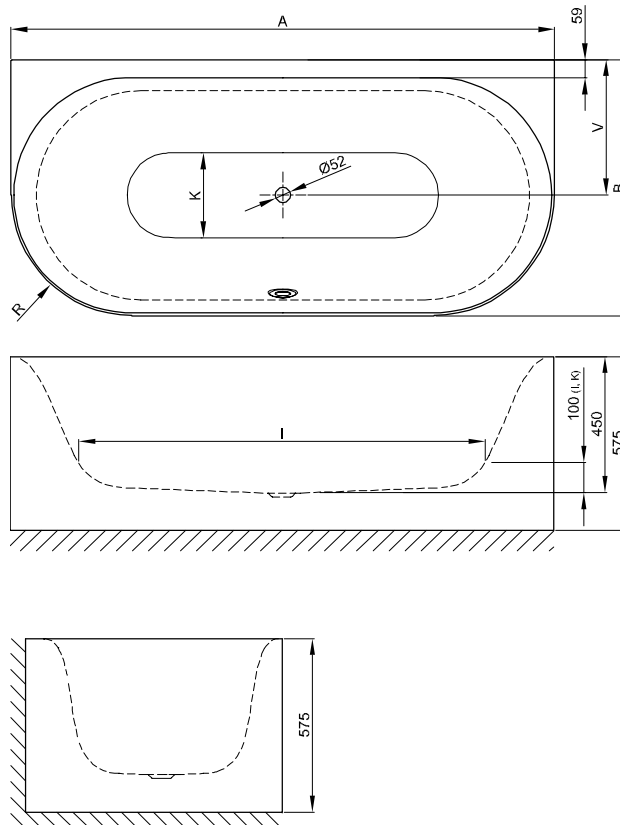
PG	code	description	see	price
EX	AS	BetteAnti-Slip Sense - class C*	p. 259	165 €
EX	PLUS	BetteGlaze® Plus	p. 260	138 €
IN		Whirlsystems	p. 134	

*Not available with Glaze® Plus. Only available in combination with White (000).

Waste and overflow fittings

PG	article no.	description	see	Chrome 901	White 000	Key Colours → cover
IN	B642-	BetteMono Silhouette push control bath waste and overflow fitting, Ø52 mm, enamelled	p. 296		425 €	425 €
IN	B643-	BetteMono Flow Silhouette push control bath waste and overflow filling fitting, Ø52 mm, enamelled	p. 297		780 €	780 €
IN	B601-	Bath waste and overflow fitting Silhouette Ø 52 mm, 725 mm	p. 302	209 €		
IN	B605-	Bath filling, waste and overflow fitting unit Silhouette Ø 52 mm, 725 mm	p. 302	591 €		

BetteLux Oval I Silhouette



Information

For our baths we recommend the enamelled BetteMono waste fittings with push-to-open/close function.

If this bath is ordered with waste fitting this will come prefitted. If ordered with Trio waste the bath comes with prefitted Sanfix tube for water supply. A flexible drain pipe is generally included in delivery.

If combined with BetteWhirlsystems it is necessary to provide an adequate air supply under the bath.

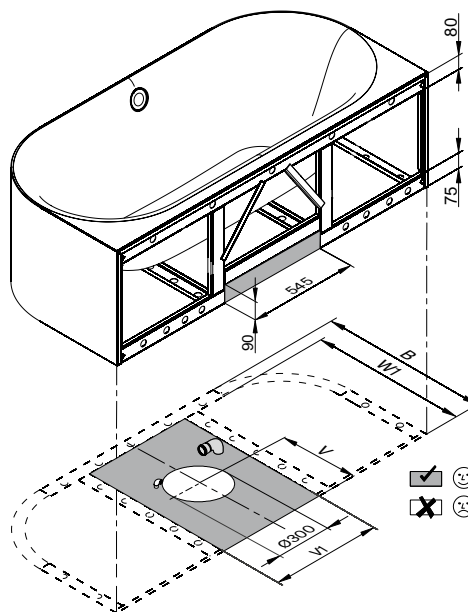
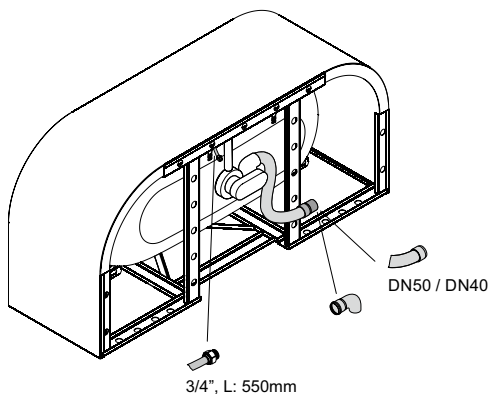
The BetteSpring Tap is not possible with this model in combination with the BetteWhirlsystem.

Available with matching washbasin BetteLux Oval.
→ p. 244

Scope of delivery

Including noise-reducing pads.

Design: Tesseraux + Partner



Adequate position to connect the drainage

Dimensions

article no.	dimensions in mm	A	B	I	K	R	V	V1	W1	volume*
3415 CWVVS	1700 × 800 × 450	1700	800	1270	515	375	425	545	715	150 litre
3416 CWVVS	1800 × 850 × 450	1800	850	1340	545	400	450	545	765	177 litre
3417 CWVVS	1900 × 950 × 450	1900	950	1420	618	450	500	545	865	224 litre

*bath capacity = volume + 70 litre human water displacement.

Dimensions

PG	article no.	dimensions in mm	weight (net)	White 000 → cover	Key Colours → cover	Bespoke Colours → cover
ES	3415 CWVVS	1700 x 800 x 450	80 kg	4.207 €	4.882 €	5.262 €
ES	3416 CWVVS	1800 x 850 x 450	90 kg	4.628 €	5.303 €	5.683 €
ES	3417 CWVVS	1900 x 950 x 450	100 kg	5.048 €	5.723 €	6.103 €

Please note the ordering information on page 5, in particular the position of the colour number.

Extras

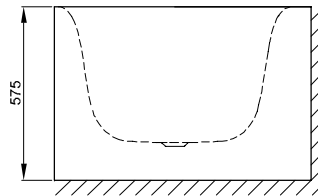
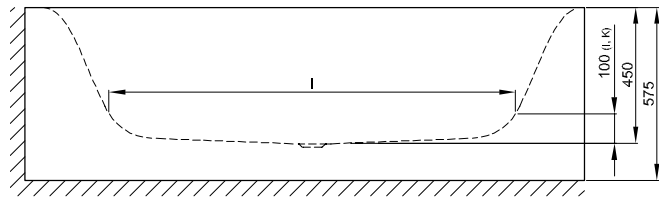
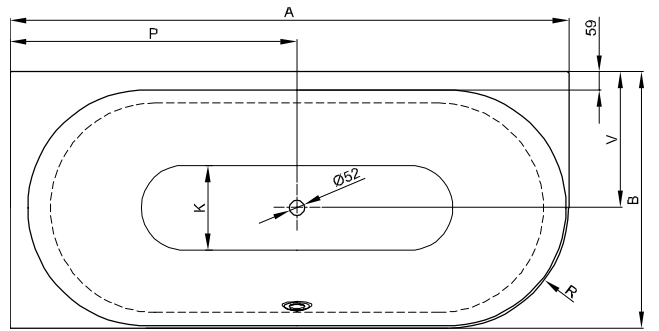
PG	code	description	see	price
EX	AS	BetteAnti-Slip Sense - class C*	p. 259	165 €
EX	PLUS	BetteGlaze® Plus	p. 260	138 €
EX	HLZ	Tapholes and drilling as per special drawing	p. 261	203 €
IN		Whirlsystems	p. 134	

*Not available with Glaze® Plus. Only available in combination with White (000).

Waste and overflow fittings

PG	article no.	description	see	Chrome 901	White 000	Key Colours → cover
IN	B642-	BetteMono Silhouette push control bath waste and overflow fitting, Ø52 mm, enamelled	p. 296		425 €	425 €
IN	B643-	BetteMono Flow Silhouette push control bath waste and overflow filling fitting, Ø52 mm, enamelled	p. 297		780 €	780 €
IN	B601-	Bath waste and overflow fitting Silhouette Ø 52 mm, 725 mm	p. 302	209 €		
IN	B605-	Bath filling, waste and overflow fitting unit Silhouette Ø 52 mm, 725 mm	p. 302	591 €		

BetteLux Oval IV Silhouette



Information

For our baths we recommend the enamelled BetteMono waste fittings with push-to-open/close function.

If this bath is ordered with waste fitting this will come prefitted. If ordered with Trio waste the bath comes with prefitted Sanfix tube for water supply. A flexible drain pipe is generally included in delivery.

If combined with BetteWhirlsystems it is necessary to provide an adequate air supply under the bath.

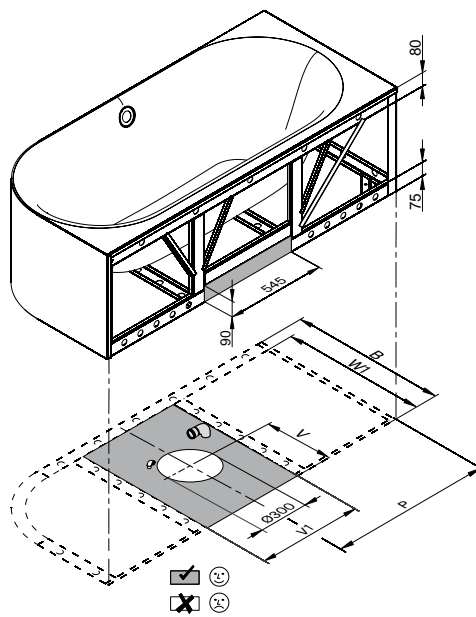
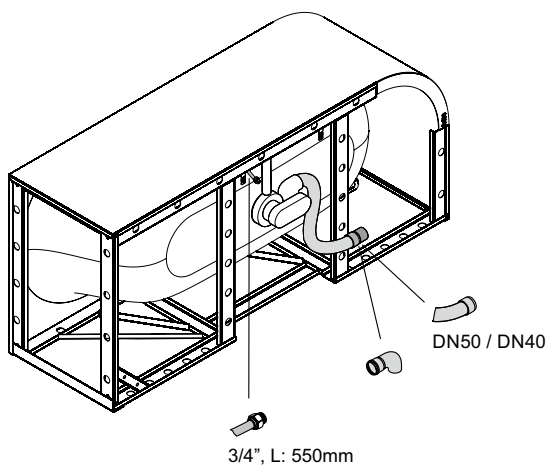
The BetteSpring Tap is not possible with this model in combination with the BetteWhirlsystem.

Available with matching washbasin BetteLux Oval.
→ p. 244

Scope of delivery

Including noise-reducing pads.

Design: Tesseraux + Partner



Dimensions

article no.	dimensions in mm	A	B	I	K	P	R	V	V1	W1	volume*
3425 CERVS	1750 × 800 × 450	1750	800	1270	515	900	375	425	545	715	150 litre
3426 CERVS	1850 × 850 × 450	1850	850	1340	545	950	400	450	545	765	177 litre
3427 CERVS	1950 × 950 × 450	1950	950	1420	618	1000	450	500	545	865	224 litre

*bath capacity = volume + 70 litre human water displacement.

Dimensions

PG	article no.	dimensions in mm	weight (net)	White 000 → cover	Key Colours → cover	Bespoke Colours → cover
ES	3425 CERVS	1750 x 800 x 450	84 kg	4.016 €	4.691 €	5.071 €
ES	3426 CERVS	1850 x 850 x 450	93 kg	4.207 €	4.882 €	5.262 €
ES	3427 CERVS	1950 x 950 x 450	102 kg	4.589 €	5.264 €	5.644 €

Please note the ordering information on page 5, in particular the position of the colour number.

Extras

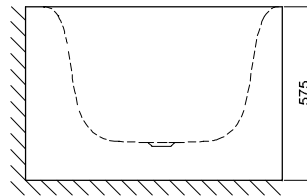
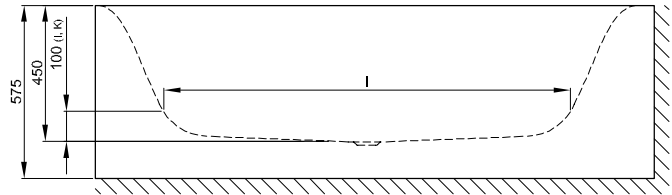
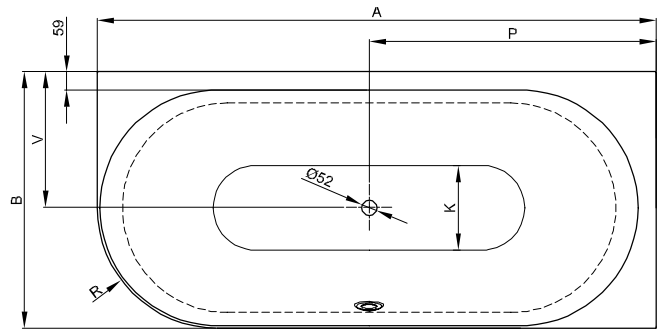
PG	code	description	see	price
EX	AS	BetteAnti-Slip Sense - class C*	p. 259	165 €
EX	PLUS	BetteGlaze® Plus	p. 260	138 €
EX	HLZ	Tapholes and drilling as per special drawing	p. 261	203 €
IN		Whirlsystems	p. 134	

*Not available with Glaze® Plus. Only available in combination with White (000).

Waste and overflow fittings

PG	article no.	description	see	Chrome 901	White 000	Key Colours → cover
IN	B642-	BetteMono Silhouette push control bath waste and overflow fitting, Ø52 mm, enamelled	p. 296		425 €	425 €
IN	B643-	BetteMono Flow Silhouette push control bath waste and overflow filling fitting, Ø52 mm, enamelled	p. 297		780 €	780 €
IN	B601-	Bath waste and overflow fitting Silhouette Ø 52 mm, 725 mm	p. 302	209 €		
IN	B605-	Bath filling, waste and overflow fitting unit Silhouette Ø 52 mm, 725 mm	p. 302	591 €		

BetteLux Oval V Silhouette



Information

For our baths we recommend the enamelled BetteMono waste fittings with push-to-open/close function.

If this bath is ordered with waste fitting this will come prefitted. If ordered with Trio waste the bath comes with prefitted Sanfix tube for water supply. A flexible drain pipe is generally included in delivery.

If combined with BetteWhirlsystems it is necessary to provide an adequate air supply under the bath.

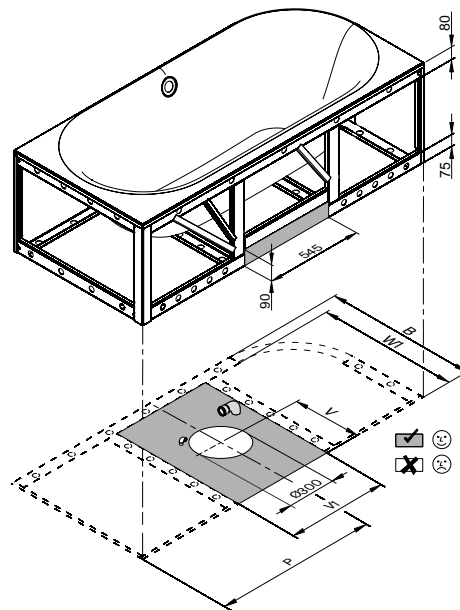
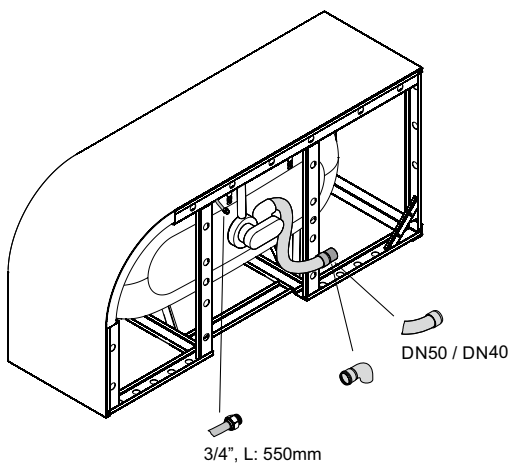
The BetteSpring Tap is not possible with this model in combination with the BetteWhirlsystem.

Available with matching washbasin BetteLux Oval.
→ p. 244

Scope of delivery

Including noise-reducing pads.

Design: Tesseraux + Partner



Dimensions

article no.	dimensions in mm	A	B	I	K	P	R	V	V1	W1	volume*
3435 CELVS	1750 × 800 × 450	1750	800	1270	515	900	375	425	545	715	150 litre
3436 CELVS	1850 × 850 × 450	1850	850	1340	545	950	400	450	545	765	177 litre
3437 CELVS	1950 × 950 × 450	1950	950	1420	618	1000	450	500	545	865	224 litre

*bath capacity = volume + 70 litre human water displacement.

Dimensions

PG	article no.	dimensions in mm	weight (net)	White 000 → cover	Key Colours → cover	Bespoke Colours → cover
ES	3435 CELVS	1750 x 800 x 450	84 kg	4.016 €	4.691 €	5.071 €
ES	3436 CELVS	1850 x 850 x 450	90 kg	4.207 €	4.882 €	5.262 €
ES	3437 CELVS	1950 x 950 x 450	119 kg	4.589 €	5.264 €	5.644 €

Please note the ordering information on page 5, in particular the position of the colour number.

Extras

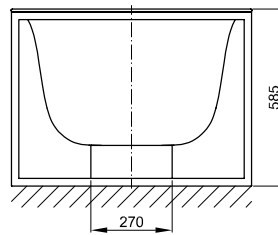
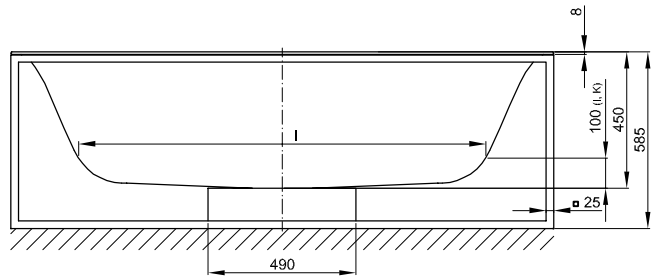
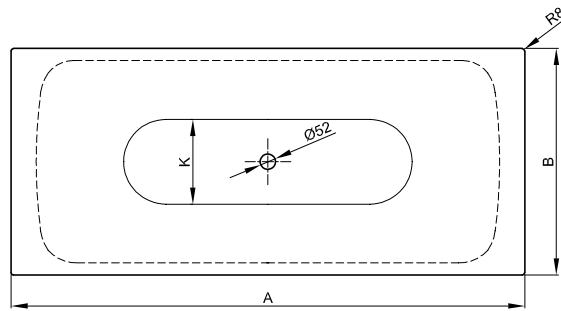
PG	code	description	see	price
EX	AS	BetteAnti-Slip Sense - class C*	p. 259	165 €
EX	PLUS	BetteGlaze® Plus	p. 260	138 €
EX	HLZ	Tapholes and drilling as per special drawing	p. 261	203 €
IN		Whirlsystems	p. 134	

*Not available with Glaze® Plus. Only available in combination with White (000).

Waste and overflow fittings

PG	article no.	description	see	Chrome 901	White 000	Key Colours → cover
IN	B642-	BetteMono Silhouette push control bath waste and overflow fitting, Ø52 mm, enamelled	p. 296		425 €	425 €
IN	B643-	BetteMono Flow Silhouette push control bath waste and overflow filling fitting, Ø52 mm, enamelled	p. 297		780 €	780 €
IN	B601-	Bath waste and overflow fitting Silhouette Ø 52 mm, 725 mm	p. 302	209 €		
IN	B605-	Bath filling, waste and overflow fitting unit Silhouette Ø 52 mm, 725 mm	p. 302	591 €		

BetteLux Shape



Information

The BetteLux Shape is enamelled on the inside and outside and delivered without overflow. The overflow function is safeguarded by a pressure sensor integrated in the pop-up waste.

A 12 V electrical connection under the bath is needed for the installation of the pop-up waste. Delivery includes two 8 m long cables for connection to the control box. The control box can be integrated in a concealed socket and needs a 230 V electrical connection.

Baths and frame are fixed at the factory, but must be ordered separately. An order of the individual components is not possible.

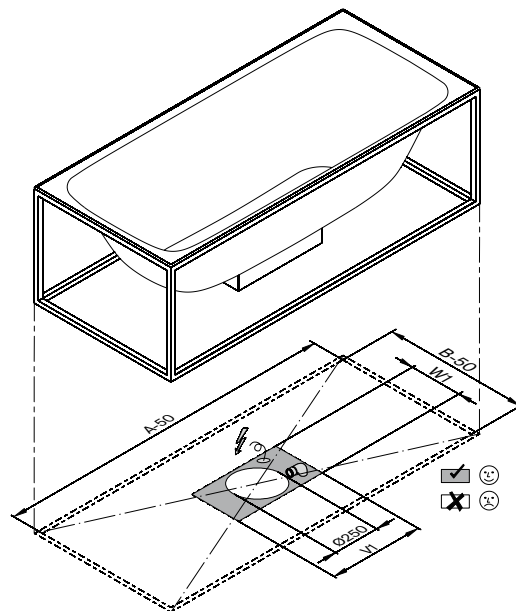
The BetteSensory must be ordered separately.

Available with matching washbasin BetteLux Shape.
→ p. 242

Scope of delivery

- waste and overflow set sensory (pre-assembled)
- control box
- 12v power supply
- emergency battery
- two 8m long control cables
- drain box in frame colour

Design: Tesseraux + Partner



Adequate position to connect the drainage

Dimensions

article no.	dimensions in mm	A	B	I	K	V1	W1	volume*
3451	1700 × 750 × 450	1700	750	1270	507	485	265	156 litre
3452	1800 × 800 × 450	1800	800	1345	545	485	265	185 litre
3453	1900 × 900 × 450	1900	900	1420	615	485	265	234 litre

*bath capacity = volume + 70 litre human water displacement.

Dimensions

PG	article no.	dimensions in mm	weight (net)	White 000 → cover	Key Colours → cover	Bespoke Colours → cover
ES	3451	1700 x 750 x 450	41.6 kg	2.154 €	2.308 €	2.449 €
ES	3452	1800 x 800 x 450	46.2 kg	2.369 €	2.523 €	2.664 €
ES	3453	1900 x 900 x 450	54.2 kg	2.585 €	2.739 €	2.880 €

Please note the ordering information on page 5, in particular the position of the colour number.

Extras

PG	code	description	see	price
EX	AS	BetteAnti-Slip Sense - class C*	p. 259	165 €
EX	PLUS	BetteGlaze® Plus	p. 260	138 €

*Not available with Glaze® Plus. Only available in combination with White (000).

Waste and overflow fittings (required accessories)

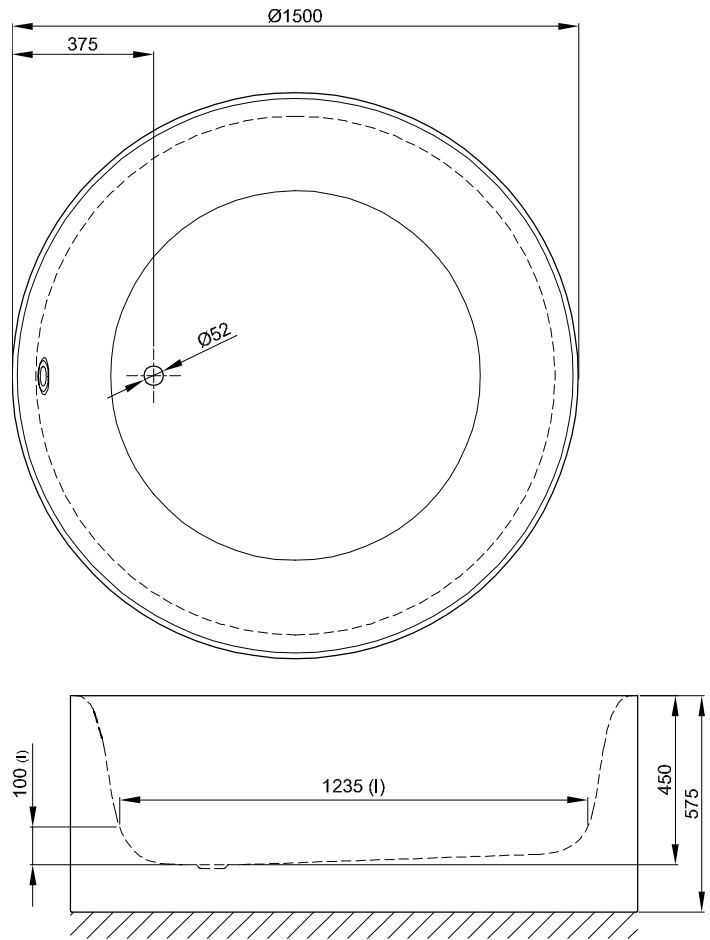
PG	article no.	description	see	Chrome 901	White 000
IN	B631-	BetteSensory*	p. 305	1.013 €	1.121 €

* The baths need to be ordered with the ending oUeL.

Frame (required accessories)

PG	article no.	dimensions in mm	White matt 807 Black matt 815 → cover
IN	Q001	1700 x 750 x 575	1.791 €
IN	Q002	1800 x 800 x 575	1.881 €
IN	Q003	1900 x 900 x 575	1.970 €

BettePond Silhouette



Information

For our baths we recommend the enamelled BetteMono waste fittings with push-to-open/close function.

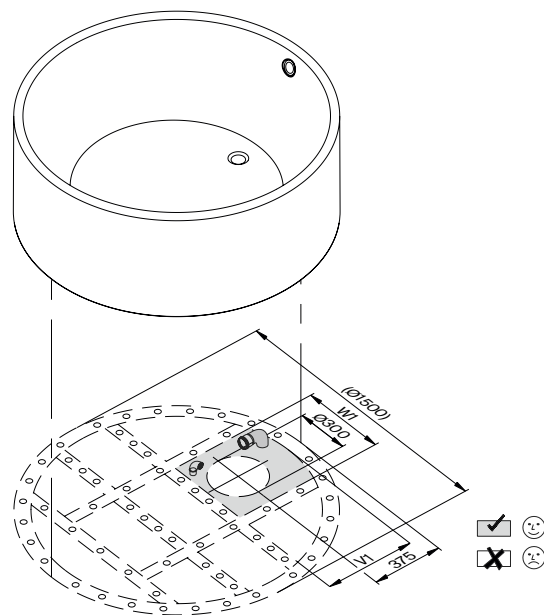
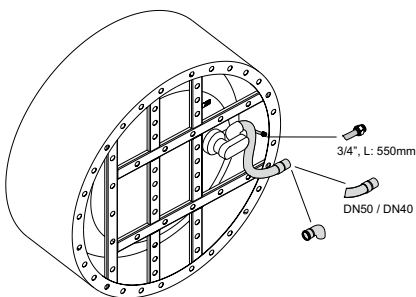
If this bath is ordered with waste fitting this will come prefitted. If ordered with Trio waste the bath comes with prefitted Sanfix tube for water supply. A flexible drain pipe is generally included in delivery.

If combined with BetteWhirlsystems it is necessary to provide an adequate air supply under the bath.

Scope of delivery

Including noise-reducing pads.

Design: Tesseraux + Partner



Adequate position to connect the drainage

Dimensions

article no.	dimensions in mm	V1	W1	volume*
6045 CFXXS	1500 x 1500 x 450	480	450	342 litre

*bath capacity = volume + 70 litre human water displacement.

Dimensions

PG	article no.	dimensions in mm	weight (net)	White 000 → cover	Key Colours → cover	Bespoke Colours → cover	Bicolour → cover
ES	6045 CFXXS	1500 x 1500 x 450	119 kg	5.321 €	5.996 €	6.376 €	7.212 €

Please note the ordering information on page 5, in particular the position of the colour number.

Extras

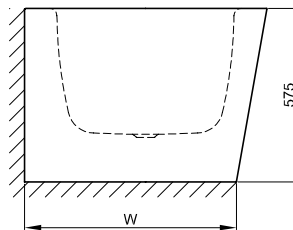
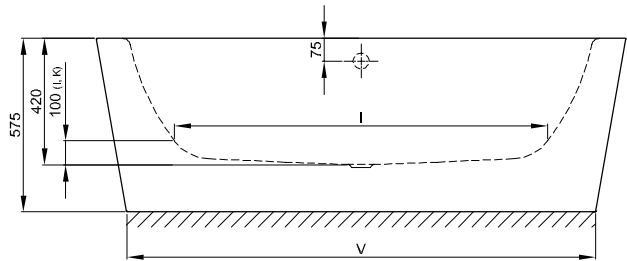
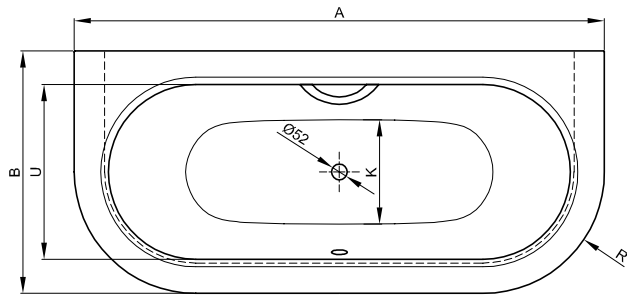
PG	code	description	see	price
EX	AS	BetteAnti-Slip Sense - class C*	p. 259	165 €
EX	PLUS	BetteGlaze® Plus	p. 260	138 €
IN		Whirlsystems	p. 134	

*Not available with Glaze® Plus. Only available in combination with White (000).

Waste and overflow fittings

PG	article no.	description	see	Chrome 901	White 000	Key Colours → cover
IN	B642-	BetteMono Silhouette push control bath waste and overflow fitting, Ø52 mm, enamelled	p. 296		425 €	425 €
IN	B643-	BetteMono Flow Silhouette push control bath waste and overflow filling fitting, Ø52 mm, enamelled	p. 297		780 €	780 €
IN	B601-	Bath waste and overflow fitting Silhouette Ø 52 mm, 725 mm	p. 302	209 €		
IN	B605-	Bath filling, waste and overflow fitting unit Silhouette Ø 52 mm, 725 mm	p. 302	591 €		

BetteStarlet I Silhouette



Information

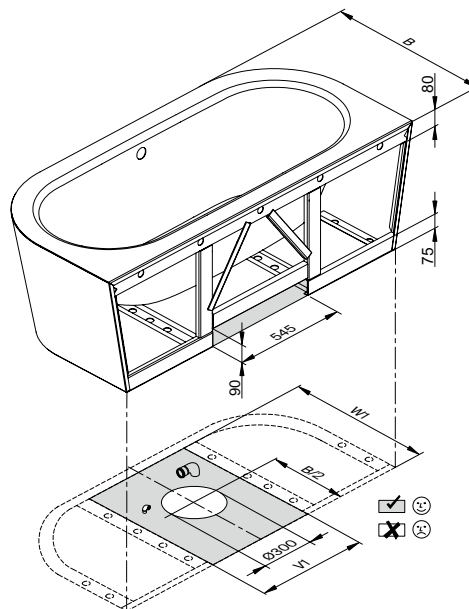
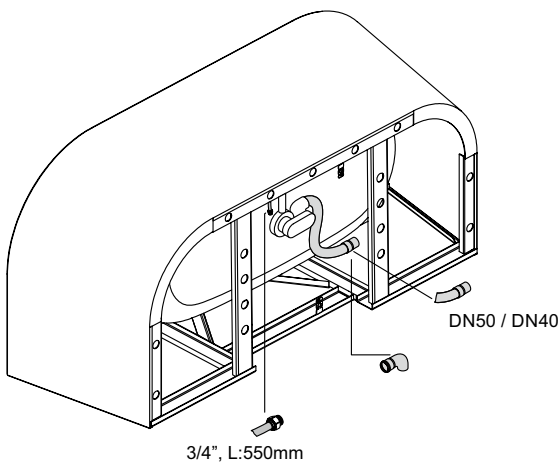
For our baths we recommend the enamelled BetteMono waste fittings with push-to-open/close function.

If this bath is ordered with waste fitting this will come prefitted. If ordered with Trio waste the bath comes with prefitted Sanfix tube for water supply. A flexible drain pipe is generally included in delivery.

If combined with BetteWhirlsystems it is necessary to provide an adequate air supply under the bath.

Scope of delivery

Including noise-reducing pads.



Adequate position to connect the drainage

Dimensions

article no.	dimensions in mm	A	B	I	K	R	U	V	V1	W	W1	volume*
8300 CWVVK	1650 × 750 × 420	1650	750	1170	455	375	540	1450	570	650	665	92 litre
8310 CWVVK	1750 × 800 × 420	1750	800	1270	505	400	590	1550	570	700	715	122 litre
8320 CWVVK	1850 × 850 × 420	1850	850	1370	555	425	640	1650	570	750	765	155 litre
8325 CWVVK	1950 × 950 × 420	1950	950	1470	625	475	735	1750	570	845	865	205 litre

*bath capacity = volume + 70 litre human water displacement.

Dimensions

PG	article no.	dimensions in mm	weight (net)	White 000 → cover	Key Colours → cover	Bespoke Colours → cover
ES	8300 CWVVK	1650 x 750 x 420	74 kg	3.547 €	4.222 €	4.602 €
ES	8310 CWVVK	1750 x 800 x 420	88 kg	3.725 €	4.400 €	4.780 €
ES	8320 CWVVK	1850 x 850 x 420	92 kg	3.902 €	4.577 €	4.957 €
ES	8325 CWVVK	1950 x 950 x 420	97 kg	4.257 €	4.932 €	5.312 €

Please note the ordering information on page 5, in particular the position of the colour number.

Extras

PG	code	description	see	price
EX	AS	BetteAnti-Slip Sense - class C*	p. 259	165 €
EX	PLUS	BetteGlaze® Plus	p. 260	138 €
EX	HLZ	Tapholes and drilling as per special drawing	p. 261	203 €
IN		Whirlsystems	p. 134	

*Not available with Glaze® Plus. Only available in combination with White (000).

Accessories

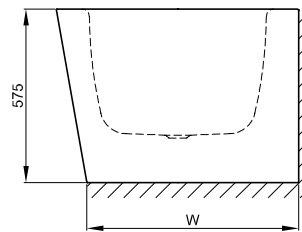
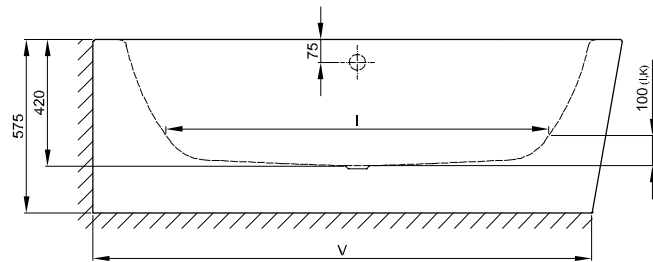
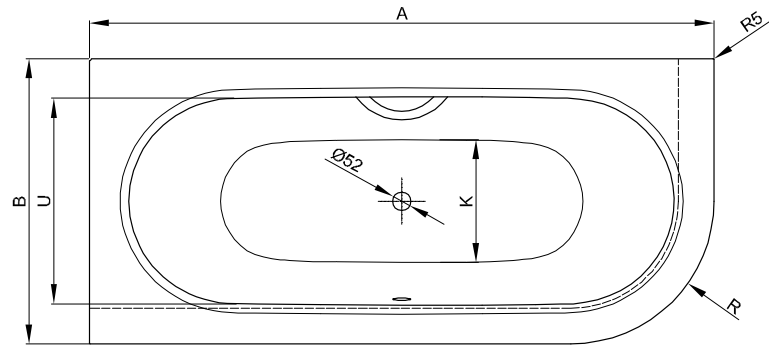
PG	article no.	description	see	price
IN	B090-901	Grip B090, Chrome*	p. 333	173 €
IN	B120-901	Grip B120, Chrome*	p. 334	173 €

* The baths need to be ordered with the ending 1GR.

Waste and overflow fittings

PG	article no.	description	see	Chrome 901	White 000 → cover	Key Colours → cover
IN	B642-	BetteMono Silhouette push control bath waste and overflow fitting, Ø52 mm, enamelled	p. 296		425 €	425 €
IN	B643-	BetteMono Flow Silhouette push control bath waste and overflow filling fitting, Ø52 mm, enamelled	p. 297		780 €	780 €
IN	B601-	Bath waste and overflow fitting Silhouette Ø 52 mm, 725 mm	p. 302	209 €		
IN	B605-	Bath filling, waste and overflow fitting unit Silhouette Ø 52 mm, 725 mm	p. 302	591 €		

BetteStarlet IV Silhouette



Information

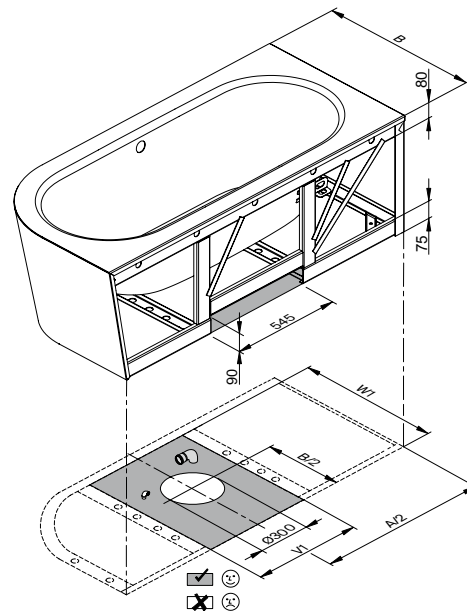
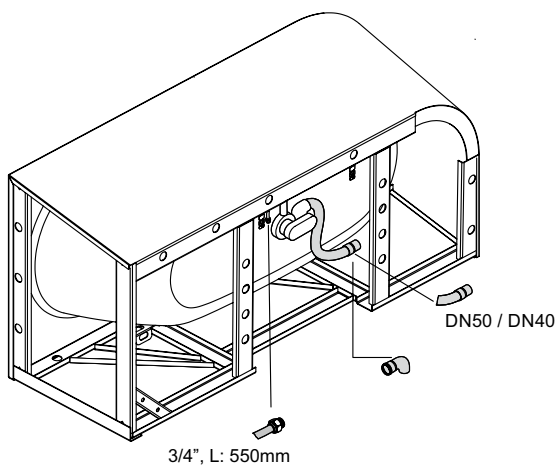
For our baths we recommend the enamelled BetteMono waste fittings with push-to-open/close function.

If this bath is ordered with waste fitting this will come prefitted. If ordered with Trio waste the bath comes with prefitted Sanfix tube for water supply. A flexible drain pipe is generally included in delivery.

If combined with BetteWhirlsystems it is necessary to provide an adequate air supply under the bath.

Scope of delivery

Including noise-reducing pads.



Dimensions

article no.	dimensions in mm	A	B	I	K	R	U	V	V1	W	W1	volume*
6650 CERVK	1650 x 750 x 420	1650	750	1170	455	375	540	1550	570	650	665	92 litre
6660 CERVK	1750 x 800 x 420	1750	800	1270	505	400	590	1650	570	700	715	122 litre
6670 CERVK	1850 x 850 x 420	1850	850	1370	555	425	640	1750	570	750	765	155 litre
6677 CERVK	1950 x 950 x 420	1950	950	1470	625	475	735	1850	590	850	865	205 litre

*bath capacity = volume + 70 litre human water displacement.

Dimensions

PG	article no.	dimensions in mm	weight (net)	White 000 → cover	Key Colours → cover	Bespoke Colours → cover
ES	6650 CERVK	1650 x 750 x 420	80 kg	3.437 €	4.112 €	4.492 €
ES	6660 CERVK	1750 x 800 x 420	85 kg	3.608 €	4.283 €	4.663 €
ES	6670 CERVK	1850 x 850 x 420	90 kg	3.780 €	4.455 €	4.835 €
ES	6677 CERVK	1950 x 950 x 420	100 kg	4.390 €	5.065 €	5.445 €

Please note the ordering information on page 5, in particular the position of the colour number.

Extras

PG	code	description	see	price
EX	AS	BetteAnti-Slip Sense - class C*	p. 259	165 €
EX	PLUS	BetteGlaze® Plus	p. 260	138 €
EX	HLZ	Tapholes and drilling as per special drawing	p. 261	203 €
IN		Whirlsystems	p. 134	

*Not available with Glaze® Plus. Only available in combination with White (000).

Accessories

PG	article no.	description	see	price
IN	B090-901	Grip B090, Chrome*	p. 333	173 €
IN	B120-901	Grip B120, Chrome*	p. 334	173 €

* The baths need to be ordered with the ending 1GR.

Waste and overflow fittings

PG	article no.	description	see	Chrome 901	White 000 → cover	Key Colours → cover
IN	B642-	BetteMono Silhouette push control bath waste and overflow fitting, Ø52 mm, enamelled	p. 296		425 €	425 €
IN	B643-	BetteMono Flow Silhouette push control bath waste and overflow filling fitting, Ø52 mm, enamelled	p. 297		780 €	780 €
IN	B601-	Bath waste and overflow fitting Silhouette Ø 52 mm, 725 mm	p. 302	209 €		
IN	B605-	Bath filling, waste and overflow fitting unit Silhouette Ø 52 mm, 725 mm	p. 302	591 €		

Dimensions

PG	article no.	dimensions in mm	weight (net)	White 000 → cover	Key Colours → cover	Bespoke Colours → cover
ES	6680 CELVK	1650 x 750 x 420	80 kg	3.437 €	4.112 €	4.492 €
ES	6690 CELVK	1750 x 800 x 420	85 kg	3.608 €	4.283 €	4.663 €
ES	6700 CELVK	1850 x 850 x 420	90 kg	3.780 €	4.455 €	4.835 €
ES	6720 CELVK	1950 x 950 x 420	101 kg	4.390 €	5.065 €	5.445 €

Please note the ordering information on page 5, in particular the position of the colour number.

Extras

PG	code	description	see	price
EX	AS	BetteAnti-Slip Sense - class C*	p. 259	165 €
EX	PLUS	BetteGlaze® Plus	p. 260	138 €
EX	HLZ	Tapholes and drilling as per special drawing	p. 261	203 €
IN		Whirlsystems	p. 134	

*Not available with Glaze® Plus. Only available in combination with White (000).

Accessories

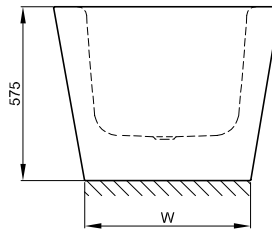
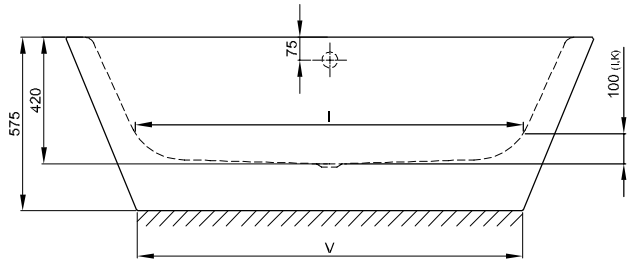
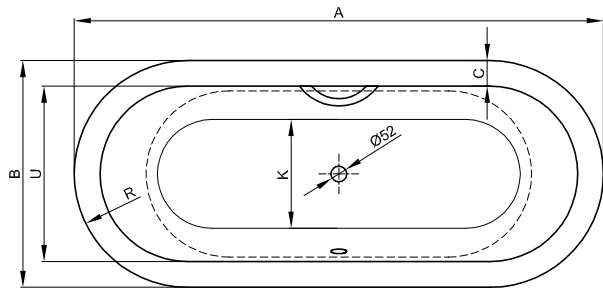
PG	article no.	description	see	price
IN	B090-901	Grip B090, Chrome*	p. 333	173 €
IN	B120-901	Grip B120, Chrome*	p. 334	173 €

* The baths need to be ordered with the ending 1GR.

Waste and overflow fittings

PG	article no.	description	see	Chrome 901	White 000 → cover	Key Colours → cover
IN	B642-	BetteMono Silhouette push control bath waste and overflow fitting, Ø52 mm, enamelled	p. 296		425 €	425 €
IN	B643-	BetteMono Flow Silhouette push control bath waste and overflow filling fitting, Ø52 mm, enamelled	p. 297		780 €	780 €
IN	B601-	Bath waste and overflow fitting Silhouette Ø 52 mm, 725 mm	p. 302	209 €		
IN	B605-	Bath filling, waste and overflow fitting unit Silhouette Ø 52 mm, 725 mm	p. 302	591 €		

BetteStarlet Oval Silhouette



Information

For our baths we recommend the enamelled BetteMono waste fittings with push-to-open/close function.

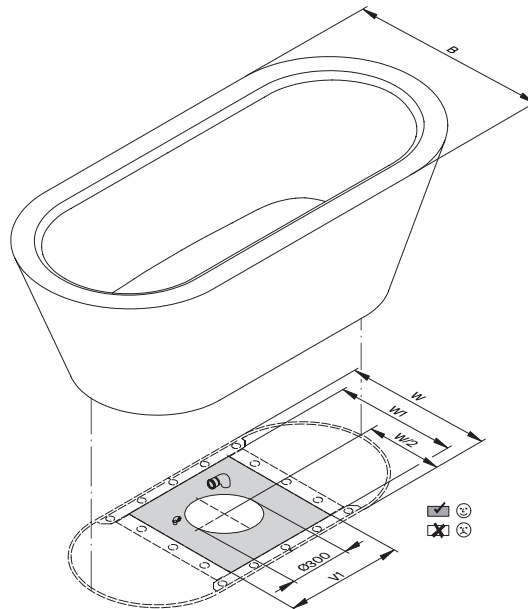
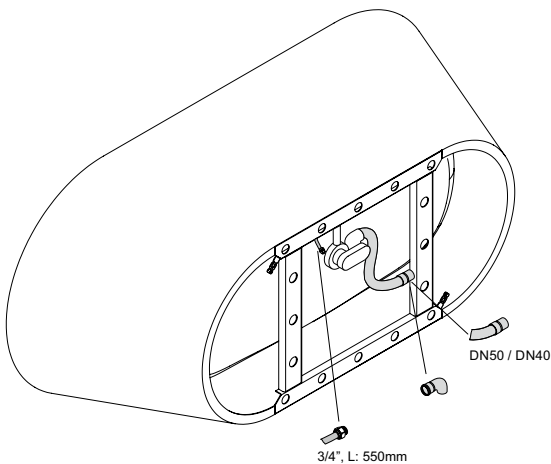
If this bath is ordered with waste fitting this will come prefitted. If ordered with Trio waste the bath comes with prefitted Sanfix tube for water supply. A flexible drain pipe is generally included in delivery.

If combined with BetteWhirlsystems it is necessary to provide an adequate air supply under the bath.

The Bette Starlet Oval Silhouette, 1500 x 800 x 420, article no. 2700 CFXXK, is not available with the BetteSpa whirlpool system.

Scope of delivery

Including noise-reducing pads.



Adequate position to connect the drainage

Dimensions

article no.	dimensions in mm	A	B	C	I	K	R	U	V	V1	W	W1	volume*
2700 CFXXK	1500 x 800 x 420	1500	800	80	1070	555	400	640	1040	300	600	680	107 litre
2720 CFXXK	1650 x 750 x 420	1650	750	105	1170	455	375	540	1187	440	548	630	92 litre
2680 CFXXK	1750 x 800 x 420	1750	800	105	1270	505	400	590	1287	460	598	680	122 litre
2740 CFXXK	1850 x 850 x 420	1850	850	105	1370	555	425	640	1387	530	648	730	155 litre
2745 CFXXK	1950 x 950 x 420	1950	950	105	1470	625	475	740	1487	525	745	830	205 litre

*bath capacity = volume + 70 litre human water displacement.

Dimensions

PG	article no.	dimensions in mm	weight (net)	White 000 → cover	Key Colours → cover	Bespoke Colours → cover	Bicolour → cover
ES	2700 CFXXK	1500 x 800 x 420	85 kg	3.769 €	4.444 €	4.824 €	5.660 €
ES	2720 CFXXK	1650 x 750 x 420	82.8 kg	3.769 €	4.444 €	4.824 €	5.660 €
ES	2680 CFXXK	1750 x 800 x 420	90 kg	3.958 €	4.633 €	5.013 €	5.849 €
ES	2740 CFXXK	1850 x 850 x 420	88 kg	4.146 €	4.821 €	5.201 €	6.037 €
ES	2745 CFXXK	1950 x 950 x 420	97.5 kg	4.789 €	5.464 €	5.844 €	6.680 €

Please note the ordering information on page 5, in particular the position of the colour number.

Extras

PG	code	description	see	price
EX	AS	BetteAnti-Slip Sense - class C*	p. 259	165 €
EX	PLUS	BetteGlaze® Plus	p. 260	138 €
EX	HLZ	Tapholes and drilling as per special drawing	p. 261	203 €
IN		Whirlsystems	p. 134	

*Not available with Glaze® Plus. Only available in combination with White (000).

Accessories

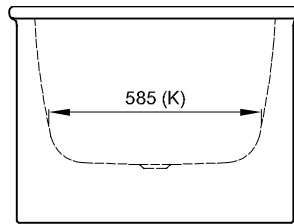
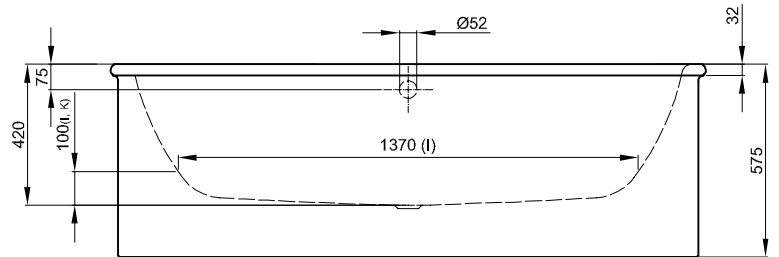
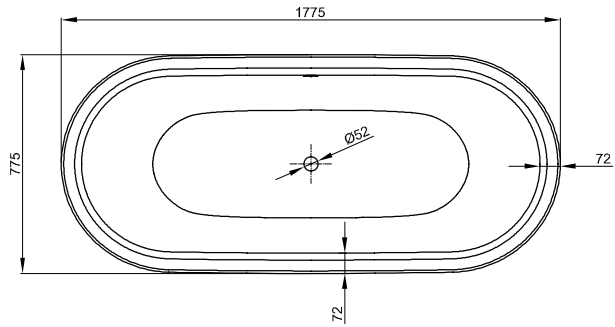
PG	article no.	description	see	price
IN	B090-901	Grip B090, Chrome*	p. 333	173 €
IN	B120-901	Grip B120, Chrome*	p. 334	173 €

* The baths need to be ordered with the ending 1GR.

Waste and overflow fittings

PG	article no.	description	see	Chrome 901	White 000	Key Colours → cover
IN	B642-	BetteMono Silhouette push control bath waste and overflow fitting, Ø52 mm, enamelled	p. 296		425 €	425 €
IN	B643-	BetteMono Flow Silhouette push control bath waste and overflow filling fitting, Ø52 mm, enamelled	p. 297		780 €	780 €
IN	B601-	Bath waste and overflow fitting Silhouette Ø 52 mm, 725 mm	p. 302	209 €		
IN	B605-	Bath filling, waste and overflow fitting unit Silhouette Ø 52 mm, 725 mm	p. 302	591 €		

BetteSuno Oval



Information

For our baths we recommend the enamelled BetteMono waste fittings with push-to-open/close function.

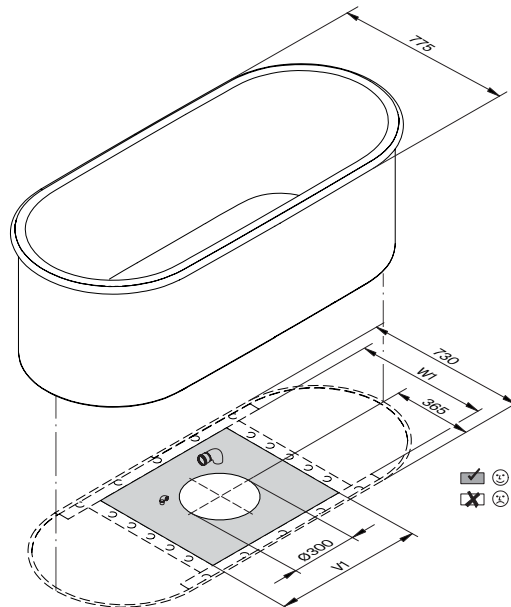
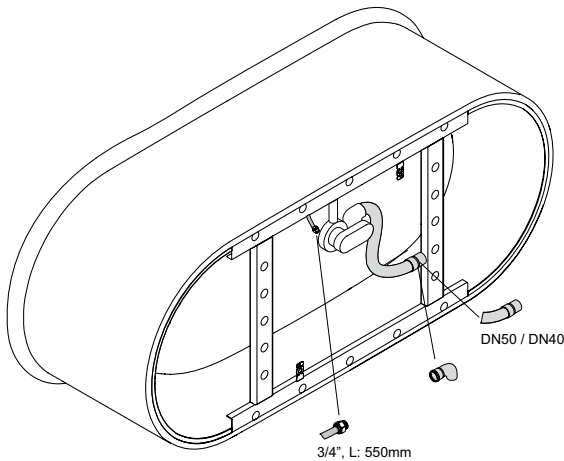
If this bath is ordered with waste fitting this will come prefitted. If ordered with Trio waste the bath comes with prefitted Sanfix tube for water supply. A flexible drain pipe is generally included in delivery.

Available with matching washbasin BetteSuno or BetteSuno Pedestal.
→ p. 252

Scope of delivery

Including noise-reducing pads.

Design: Barber Osgerby



Dimensions

article no.	dimensions in mm	V1	W1	volume*
2740 CFXXSR	1775 x 775 x 420	650	580	155 litre

*bath capacity = volume + 70 litre human water displacement.

Dimensions

PG	article no.	dimensions in mm	weight (net)	White 000 → cover	Key Colours → cover	Bespoke Colours → cover
ES	2740 CFXXSR	1775 x 775 x 420	87 kg	5.209 €	5.884 €	6.264 €

Please note the ordering information on page 5, in particular the position of the colour number.

Extras

PG	code	description	see	price
EX	AS	BetteAnti-Slip Sense - class C*	p. 259	165 €
EX	PLUS	BetteGlaze® Plus	p. 260	138 €

*Not available with Glaze® Plus. Only available in combination with White (000).

Waste and overflow fittings

PG	article no.	description	see	Chrome 901	White 000 → cover	Key Colours → cover
IN	B642-	BetteMono Silhouette push control bath waste and overflow fitting, Ø52 mm, enamelled	p. 296		425 €	425 €
IN	B643-	BetteMono Flow Silhouette push control bath waste and overflow filling fitting, Ø52 mm, enamelled	p. 297		780 €	780 €
IN	B601-	Bath waste and overflow fitting Silhouette Ø 52 mm, 725 mm	p. 302	209 €		
IN	B605-	Bath filling, waste and overflow fitting unit Silhouette Ø 52 mm, 725 mm	p. 302	591 €		

BetteBambino



N° 1: foot end left



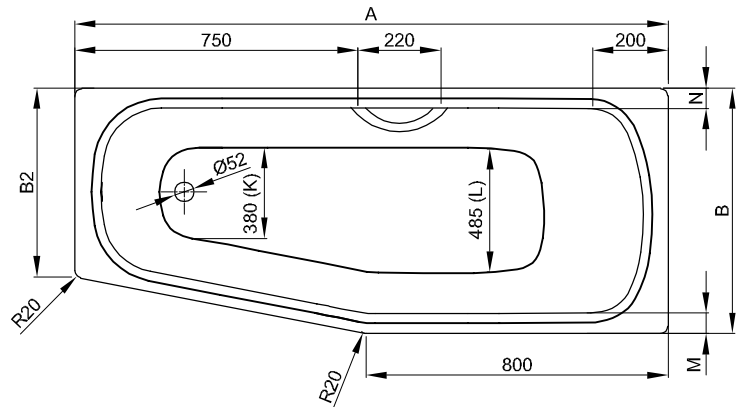
N° 2: foot end right

Information

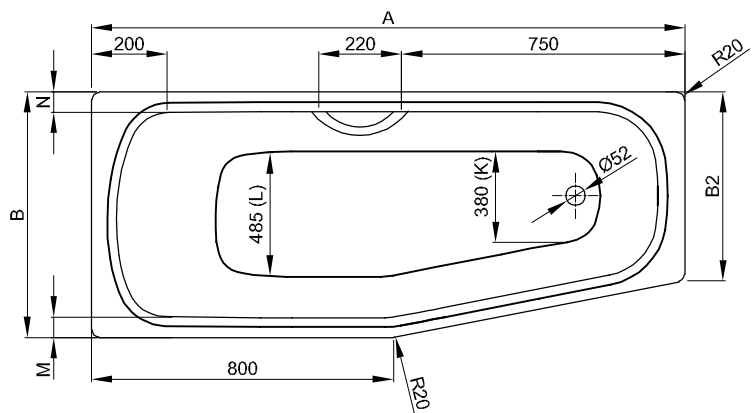
For professional installation we recommend the use of the original bath feet B23-1500.

For our baths we recommend the enamelled BetteMono waste fittings with push-to-open/close function.

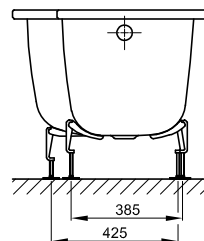
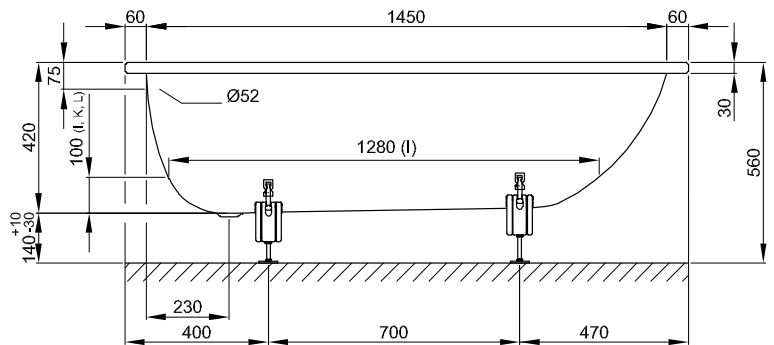
This bath is suitable for undermount installation after on-site inspection and proper installation. We can provide you with the relevant cut-out data on request.



N° 1: foot end left



N° 2: foot end right



Dimensions

article no.	dimensions in mm	variant	A	B	B2	M	N	volume*
2770	1570 × 650 × 420	N° 1	1570	650	500	50	50	104 litre
2780	1570 × 650 × 420	N° 2	1570	650	500	50	50	104 litre
2570	1570 × 700 × 420	N° 1	1570	700	550	60	90	104 litre
2580	1570 × 700 × 420	N° 2	1570	700	550	60	90	104 litre

*bath capacity = volume + 70 litre human water displacement.

Dimensions

PG	article no.	dimensions in mm	variant	weight (net)	pcs/pallet	White 000 → cover	Key Colours → cover	Bespoke Colours → cover
ES	2770	1570 x 650 x 420	Nº 1	39 kg	10	728 €	882 €	1.023 €
ES	2780	1570 x 650 x 420	Nº 2	39 kg	9	728 €	882 €	1.023 €
ES	2570	1570 x 700 x 420	Nº 1	41 kg	10	728 €	882 €	1.023 €
ES	2580	1570 x 700 x 420	Nº 2	41 kg	9	728 €	882 €	1.023 €

Extras

PG	code	description	see	price
EX	AS	BetteAnti-Slip Sense - class C*	p. 259	165 €
EX	PLUS	BetteGlaze® Plus	p. 260	138 €
EX	HLZ	Tapholes and drilling as per special drawing	p. 261	203 €
EX		Profi Corner	p. 268	from 350 €
EX	AD	Antinoise for baths	p. 260	90 €
IN		Whirlsystems	p. 134	

*Not available with Glaze® Plus. Only available in combination with White (000).

Accessories

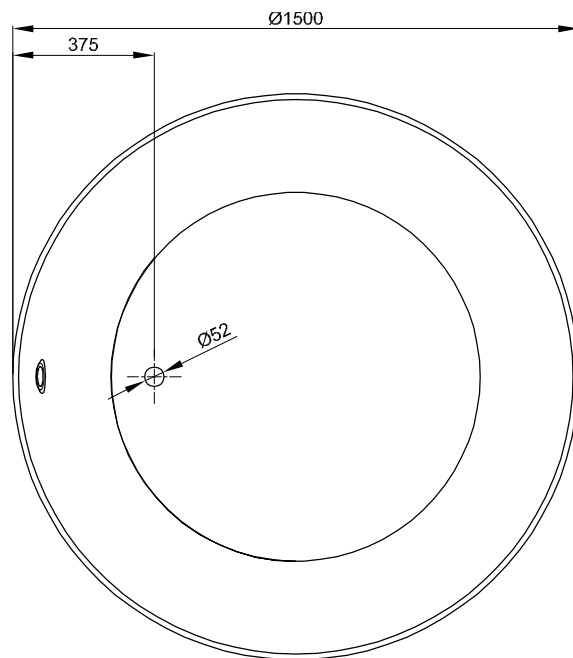
PG	article no.	description	see	price
IN	B23-1500	Bath feet universal	p. 308	73 €
IN	B090-901	Grip B090, Chrome*	p. 333	173 €
IN	B120-901	Grip B120, Chrome*	p. 334	173 €
IN	B57-0372	Sealing System for baths	p. 325	103 €
IN	B57-0408	Sealing tape on roll 4 m	p. 326	23 €
IN	B57-0407	Tile adhesive protection tape 3300 x 120 mm	p. 327	32 €
IN	Z0008669	Wall Brackets	p. 327	39 €

* The baths need to be ordered with the ending 1GR.

Waste and overflow fittings

PG	article no.	description	see	Chrome 901	White 000	Key Colours → cover
IN	B640-	BetteMono push control bath waste and overflow fitting, Ø52 mm, enamelled	p. 294		296 €	296 €
IN	B641-	BetteMono Flow push control bath waste and overflow filling fitting, Ø52 mm, enamelled	p. 295		559 €	559 €
IN	B600-	Bath waste and overflow fitting Ø 52 mm, 560 mm	p. 300	146 €		
IN	B604-	Bath filling, waste and overflow fitting unit Ø 52 mm, 560 mm	p. 301	392 €		

BettePond



Information

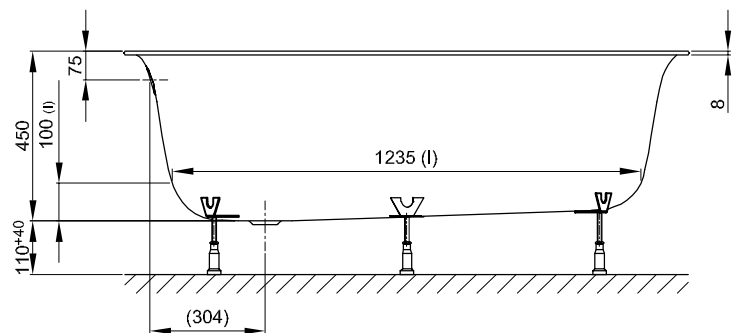
For professional installation we recommend the use of the original bath feet B50-0016.

For our baths we recommend the enamelled BetteMono waste fittings with push-to-open/close function.

Scope of delivery

Including noise-reducing pads.

Design: Tesseraux + Partner



Dimensions

article no.	dimensions in mm	volume*
6045	1500 x 1500 x 450	342 litre

Dimensions

PG	article no.	dimensions in mm	weight (net)	White 000 → cover	Key Colours → cover	Bespoke Colours → cover
ES	6045	1500 x 1500 x 450	56 kg	3.079 €	3.233 €	3.374 €

Extras

PG	code	description	see	price
EX	AS	BetteAnti-Slip Sense - class C*	p. 259	165 €
EX	PLUS	BetteGlaze® Plus	p. 260	138 €
IN		Whirlsystems	p. 134	

*Not available with Glaze® Plus. Only available in combination with White (000).

Accessories

PG	article no.	description	see	price
IN	B50-0016	Height-adjustable feet (6 pieces)	p. 309	58 €
IN	B57-0407	Tile adhesive protection tape 3300 x 120 mm	p. 327	32 €

Waste and overflow fittings

PG	article no.	description	see	Chrome 901	White 000	Key Colours → cover
IN	B640-	BetteMono push control bath waste and overflow fitting, Ø52 mm, enamelled	p. 294		296 €	296 €
IN	B641-	BetteMono Flow push control bath waste and overflow filling fitting, Ø52 mm, enamelled	p. 295		559 €	559 €
IN	B602-	Bath waste and overflow fitting Ø 52 mm, 725 mm	p. 300	150 €		
IN	B606-	Bath filling, waste and overflow fitting unit Ø 52 mm, 725 mm	p. 303	412 €		

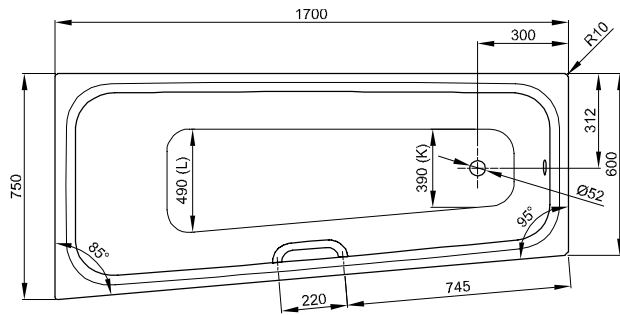
BetteSpace S



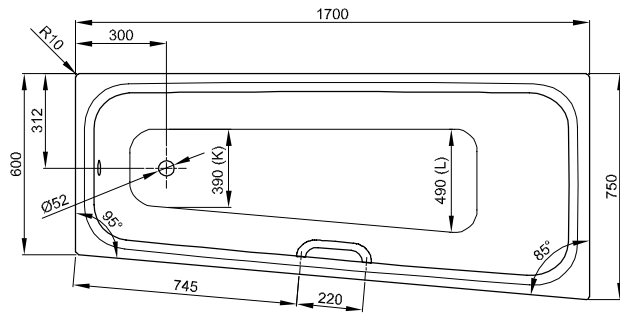
N° 1: corner left



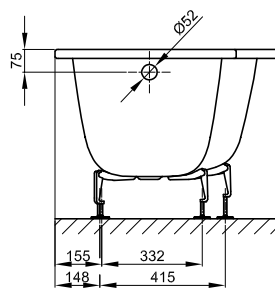
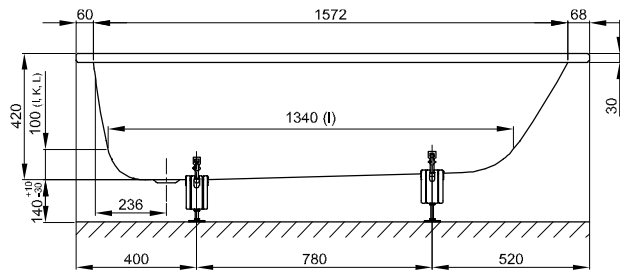
N° 2: corner right



N° 1: corner left



N° 2: corner right



Information

For professional installation we recommend the use of the original bath feet B23-1500.

For our baths we recommend the enamelled BetteMono waste fittings with push-to-open/close function.

This bath is suitable for undermount installation after on-site inspection and proper installation. We can provide you with the relevant cut-out data on request.

Scope of delivery

Including noise-reducing pads.

Design: Tesseraux + Partner

Dimensions

article no.	dimensions in mm	variant	volume*
1130	1700 × 750 × 420	N° 1	122 litre
1140	1700 × 750 × 420	N° 2	122 litre

*bath capacity = volume + 70 litre human water displacement.

Dimensions

PG	article no.	dimensions in mm	variant	weight (net)	pcs/pallet	White 000 → cover	Key Colours → cover	Bespoke Colours → cover
ES	1130	1700 x 750 x 420	Nº 1	41.5 kg	15	881 €	1.035 €	1.176 €
ES	1140	1700 x 750 x 420	Nº 2	41.5 kg	15	881 €	1.035 €	1.176 €

Extras

PG	code	description	see	price
EX	AS	BetteAnti-Slip Sense - class C*	p. 259	165 €
EX	PLUS	BetteGlaze® Plus	p. 260	138 €
EX		BetteUpstand	p. 264	from 367 €
IN		Whirlsystems	p. 134	

*Not available with Glaze® Plus. Only available in combination with White (000).

Accessories

PG	article no.	description	see	price
IN	B23-1500	Bath feet universal	p. 308	73 €
IN	B090-901	Grip B090, Chrome*	p. 333	173 €
IN	B120-901	Grip B120, Chrome*	p. 334	173 €
IN	B57-0408	Sealing tape on roll 4 m	p. 326	23 €
IN	B57-0407	Tile adhesive protection tape 3300 x 120 mm	p. 327	32 €
IN	Z0008669	Wall Brackets	p. 327	39 €

* The baths need to be ordered with the ending 1GR.

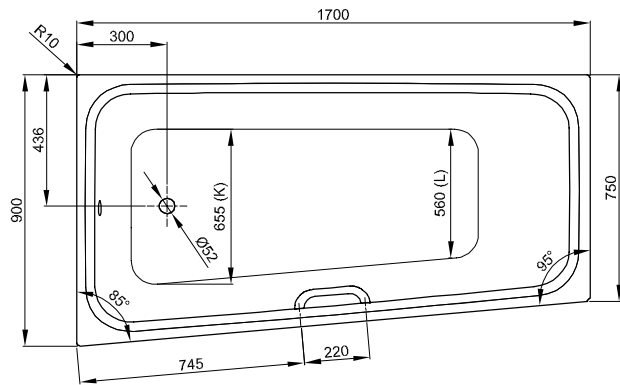
Waste and overflow fittings

PG	article no.	description	see	Chrome 901	White 000	Key Colours → cover
IN	B640-	BetteMono push control bath waste and overflow fitting, Ø52 mm, enamelled	p. 294		296 €	296 €
IN	B641-	BetteMono Flow push control bath waste and overflow filling fitting, Ø52 mm, enamelled	p. 295		559 €	559 €
IN	B600-	Bath waste and overflow fitting Ø 52 mm, 560 mm	p. 300	146 €		
IN	B604-	Bath filling, waste and overflow fitting unit Ø 52 mm, 560 mm	p. 301	392 €		

BetteSpace M



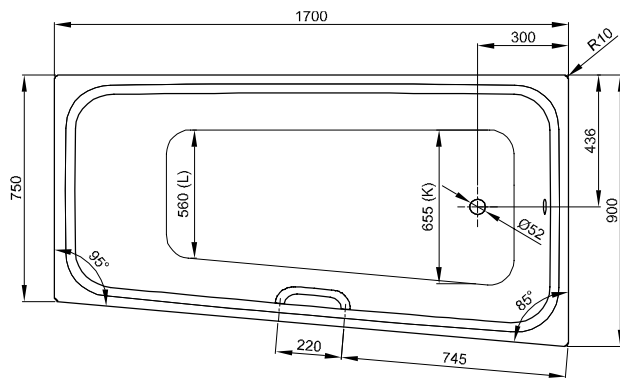
N° 1: corner left



N° 1: corner left



N° 2: corner right



N° 2: corner right

Information

For professional installation we recommend the use of the original bath feet B23-1500.

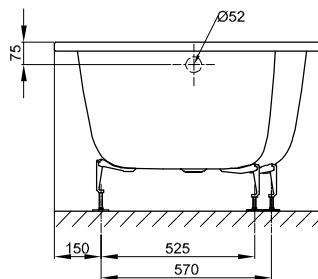
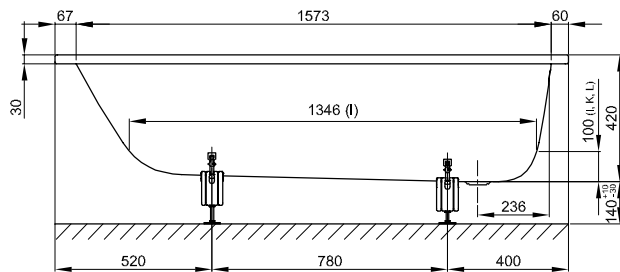
For our baths we recommend the enamelled BetteMono waste fittings with push-to-open/close function.

This bath is suitable for undermount installation after on-site inspection and proper installation. We can provide you with the relevant cut-out data on request.

Scope of delivery

Including noise-reducing pads.

Design: Tesseraux + Partner



Dimensions

article no.	dimensions in mm	variant	volume*
1131	1700 × 900 × 420	N° 1	192 litre
1141	1700 × 900 × 420	N° 2	192 litre

*bath capacity = volume + 70 litre human water displacement.

Dimensions

PG	article no.	dimensions in mm	variant	weight (net)	pcs/pallet	White 000 → cover	Key Colours → cover	Bespoke Colours → cover
ES	1131	1700 x 900 x 420	Nº 1	475 kg	15	1.091 €	1.245 €	1.386 €
ES	1141	1700 x 900 x 420	Nº 2	475 kg	15	1.091 €	1.245 €	1.386 €

Extras

PG	code	description	see	price
EX	AS	BetteAnti-Slip Sense - class C*	p. 259	165 €
EX	PLUS	BetteGlaze® Plus	p. 260	138 €
EX		BetteUpstand	p. 264	from 367 €
IN		Whirlsystems	p. 134	

*Not available with Glaze® Plus. Only available in combination with White (000).

Accessories

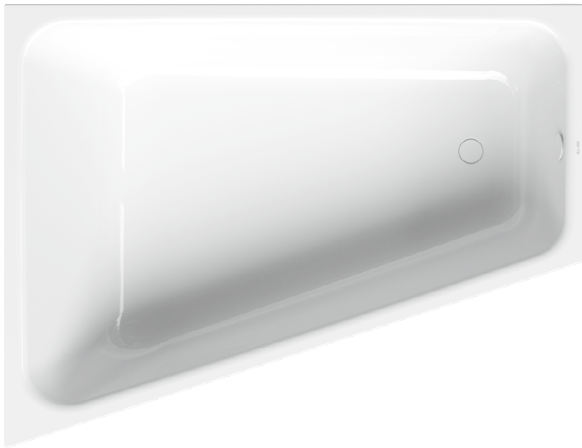
PG	article no.	description	see	price
IN	B23-1500	Bath feet universal	p. 308	73 €
IN	B090-901	Grip B090, Chrome*	p. 333	173 €
IN	B120-901	Grip B120, Chrome*	p. 334	173 €
IN	B57-0408	Sealing tape on roll 4 m	p. 326	23 €
IN	B57-0407	Tile adhesive protection tape 3300 x 120 mm	p. 327	32 €
IN	Z0008669	Wall Brackets	p. 327	39 €

* The baths need to be ordered with the ending 1GR.

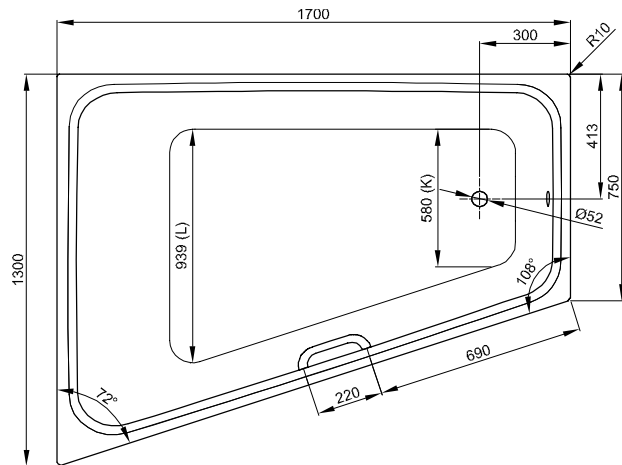
Waste and overflow fittings

PG	article no.	description	see	Chrome 901	White 000	Key Colours → cover
IN	B640-	BetteMono push control bath waste and overflow fitting, Ø52 mm, enamelled	p. 294		296 €	296 €
IN	B641-	BetteMono Flow push control bath waste and overflow filling fitting, Ø52 mm, enamelled	p. 295		559 €	559 €
IN	B600-	Bath waste and overflow fitting Ø 52 mm, 560 mm	p. 300	146 €		
IN	B604-	Bath filling, waste and overflow fitting unit Ø 52 mm, 560 mm	p. 301	392 €		

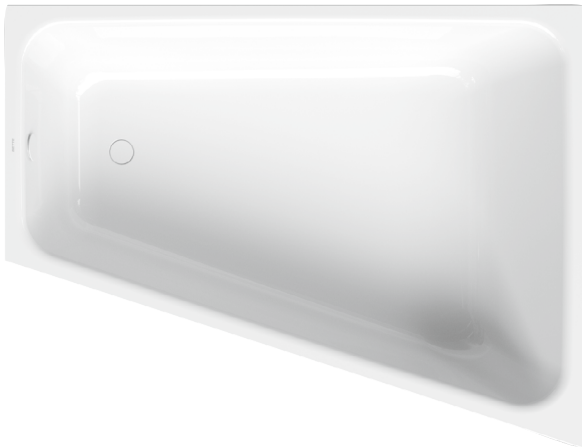
BetteSpace L



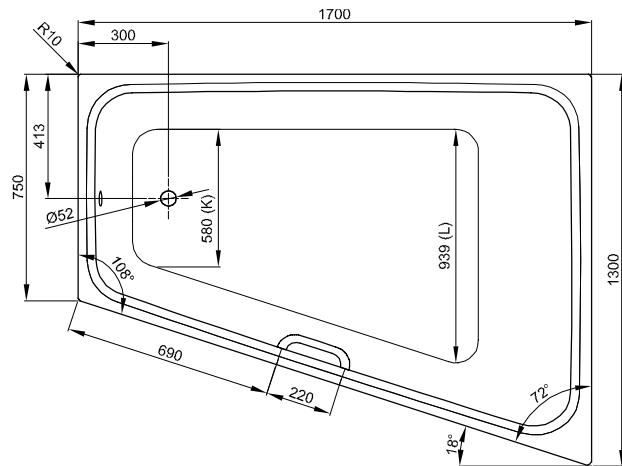
N° 1: corner left



N° 1: corner left



N° 2: corner right



N° 2: corner right

Information

For professional installation we recommend the use of the original bath feet B50-0015.

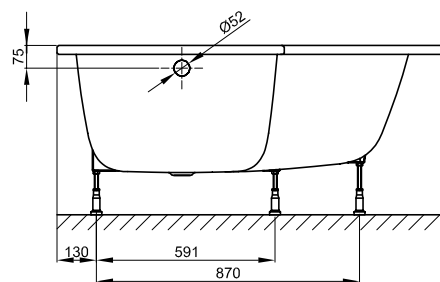
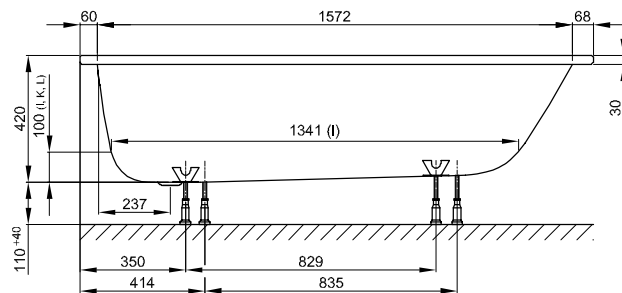
For our baths we recommend the enamelled BetteMono waste fittings with push-to-open/close function.

This bath is suitable for undermount installation after on-site inspection and proper installation. We can provide you with the relevant cut-out data on request.

Scope of delivery

Including noise-reducing pads.

Design: Tesseraux + Partner



Dimensions

article no.	dimensions in mm	variant	volume*
1132	1700 × 1300 × 420	N° 1	262 litre
1142	1700 × 1300 × 420	N° 2	262 litre

*bath capacity = volume + 70 litre human water displacement.

Dimensions

PG	article no.	dimensions in mm	variant	weight (net)	White 000 → cover	Key Colours → cover	Bespoke Colours → cover
ES	1132	1700 x 1300 x 420	N° 1	55.8 kg	1.835 €	1.989 €	2.130 €
ES	1142	1700 x 1300 x 420	N° 2	55.8 kg	1.835 €	1.989 €	2.130 €

Extras

PG	code	description	see	price
EX	AS	BetteAnti-Slip Sense - class C*	p. 259	165 €
EX	PLUS	BetteGlaze® Plus	p. 260	138 €
EX		BetteUpstand	p. 264	from 367 €
IN		Whirlsystems	p. 134	

*Not available with Glaze® Plus. Only available in combination with White (000).

Accessories

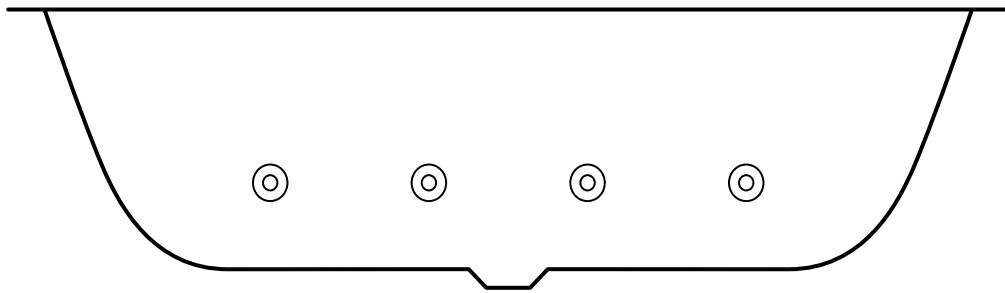
PG	article no.	description	see	price
IN	B50-0015	Height-adjustable feet (4 pieces)	p. 309	48 €
IN	B090-901	Grip B090, Chrome*	p. 333	173 €
IN	B120-901	Grip B120, Chrome*	p. 334	173 €
IN	B57-0408	Sealing tape on roll 4 m	p. 326	23 €
IN	B57-0407	Tile adhesive protection tape 3300 x 120 mm	p. 327	32 €
IN	Z0008669	Wall Brackets	p. 327	39 €

* The baths need to be ordered with the ending 1GR.

Waste and overflow fittings

PG	article no.	description	see	Chrome 901	White 000	Key Colours → cover
IN	B640-	BetteMono push control bath waste and overflow fitting, Ø52 mm, enamelled	p. 294		296 €	296 €
IN	B641-	BetteMono Flow push control bath waste and overflow filling fitting, Ø52 mm, enamelled	p. 295		559 €	559 €
IN	B600-	Bath waste and overflow fitting Ø 52 mm, 560 mm	p. 300	146 €		
IN	B604-	Bath filling, waste and overflow fitting unit Ø 52 mm, 560 mm	p. 301	392 €		

Whirlsystems



- 138 BetteAirjet Plus Whirlsystem
- 139 BetteJet Whirlsystem
- 140 BetteSpa Whirlsystem
- 141 Disinfection liquid
- 141 Whirlsystem Disinfection

Whirlsystems

Feature

description	Airjet Plus	Jet	Spa
Feature	Air + water	Water	Air
Side jets (water)	8	8	
Base jets (air)	10/20		10/20
Micro jets in the shoulder area	5		
Micro jets in the reflexology area	2/5 on Duo baths		
Individual direction of massage spray	x	x	
Regulation of air supply via control pad	x		x
Continuous regulation of the air mixture	x	x	
Massage via air supply			x
Massage via water spray or optionally water-air mix	x	x	
Integrated control elements in the bath interior	x	x	x
Preheating air system	x		x
Dry-run protection via level controller	x	x	

Operation

description	Airjet Plus	Jet	Spa
Interval function	x	x	x
Electronically controlled	x	x	x
Keypad to control all the functions	x	x	x
Continuous adjustment of intensity	x	x	x

Hygienic

description	Airjet Plus	Jet	Spa
Integrated residual water drainage system	x	x	x
Automatic dry-blowing function	x		
Manual dry-blowing function			x

Whirlsystems

Output

description	Airjet Plus	Jet	Spa
Rated output water pump	800 W	600 W	
Rated output blower incl. preheating	1050 W		1050 W

Mounting height

description	Airjet Plus	Jet	Spa
Mounting height of waste fitting Multiplex included sealings	160 mm	160 mm	140 mm

Optional features

description	Airjet Plus	Jet	Spa
BetteDisinfection	x	x	x
LED-Colour Spot Lights	x	x	x
Pop-up waste with integrated inlet	x	x	x

BetteAirjet Plus Whirlsystem



Information

Combination of up to 12 air jets in the floor, 8 water jets in the side and microjets at the head- and foot end of the bath.

An inspection gap of at least 79 cm² must be left on installation to allow for the air intake.

All baths with a whirlsystem will be delivered with a 52 mm diameter waste hole.

State code "AJETP" when ordering the bath. The appropriate accessories must be ordered under a separate position.

Please note that the installation height of the bath with whirlpool system is higher than that of a classic built-in bath. The waste set selected determines this.

Scope of delivery

All baths are delivered with a height-adjustable frame. The motor is located under the head end of single ended baths and on the left side of doubled ended baths if the overflow is at the front.

The scope of delivery includes a waste fitting.

Surface colours

PG	article no.	Colours	price
IN	B350-901	Chrome 901	7.765 €
IN	B350-000	White 000	9.205 €
IN	B350-035	Ebony 035	9.205 €
IN	B350-440	Snow 440	9.205 €
IN	B350-903	Gold finish 903	11.723 €

Waste and overflow fittings

PG	code	description	price
EX	MT	Multiplex-Trio	290 €

Accessories

PG	Article no.	Description	Chrome 901	White 000 Ebony 035 Snow 440	Gold finish 903
IN	B465-	LED-Colour Spot Light (2 pieces)	1.215 €	1.319 €	1.556 €
IN	B480-	Disinfection	2.575 €	2.826 €	3.370 €

PG	article no.	description	price
CP	Z0008621	Disinfection liquid 500 ml	56 €

BetteJet Whirlsystem



Information

Water System with 8 adjustable jets integrated into the sides.

All baths with a whirlsystem will be delivered with a 52 mm diameter waste hole.

State code "JET" when ordering the bath. The appropriate accessories must be ordered under a separate position.

Please note that the installation height of the bath with whirlpool system is higher than that of a classic built-in bath. The waste set selected determines this.

Scope of delivery

All baths are delivered with a height-adjustable frame.

The scope of delivery includes a waste fitting.

Surface colours

PG	article no.	Colours	price
IN	B380-901	Chrome 901	4.032 €
IN	B380-000	White 000	4.559 €
IN	B380-035	Ebony 035	4.559 €
IN	B380-440	Snow 440	4.559 €
IN	B380-903	Gold finish 903	5.582 €

Waste and overflow fittings

PG	code	description	price
EX	MT	Multiplex-Trio	290 €

Accessories

PG	Article no.	Description	Chrome 901	White 000 Ebony 035 Snow 440	Gold finish 903
IN	B465-	LED-Colour Spot Light (2 pieces)	1.215 €	1.319 €	1.556 €
IN	B480-	Disinfection	2.575 €	2.826 €	3.370 €

PG	article no.	description	price
CP	Z0008621	Disinfection liquid 500 ml	56 €

BetteSpa Whirlsystem



Information

Up to 12 air jets integrated in the floor of the bath.

An inspection gap of at least 79 cm² must be left on installation to allow for the air intake.

All baths with a whirlsystem will be delivered with a 52 mm diameter waste hole.

State code "SPA" when ordering the bath. The appropriate accessories must be ordered under a separate position.

Please note that the installation height of the bath with whirlpool system is higher than that of a classic built-in bath. The waste set selected determines this.

Scope of delivery

All baths are delivered with a height-adjustable frame.

The scope of delivery includes a waste fitting.

Surface colours

PG	article no.	Colours	price
IN	B370-901	Chrome 901	3.578 €
IN	B370-000	White 000	4.058 €
IN	B370-035	Ebony 035	4.058 €
IN	B370-440	Snow 440	4.058 €
IN	B370-903	Gold finish 903	4.981 €

Waste and overflow fittings

PG	code	description	price
EX	MT	Multiplex-Trio	290 €

Accessories

PG	Article no.	Description	Chrome 901	White 000 Ebony 035 Snow 440	Gold finish 903
IN	B465-	LED-Colour Spot Light (2 pieces)	1.215 €	1.319 €	1.556 €
IN	B480-	Disinfection	2.575 €	2.826 €	3.370 €

PG	article no.	description	price
CP	Z0008621	Disinfection liquid 500 ml	56 €

Disinfection



Information

- For thorough disinfection to prevent bacteria forming, especially in the concealed pipes in whirlsystems.
- Depending on use, disinfection is recommended every 2-4 weeks.
- Using the recommended disinfection liquid, the unit is filled via the visible opening on the upper part of the bath.
- To begin the disinfection procedure, the bath is filled with hot water until all jets are submerged.
- The disinfection process will start by pressing the disinfection button.
- Once the disinfection process has been completed, the bath should be rinsed thoroughly.

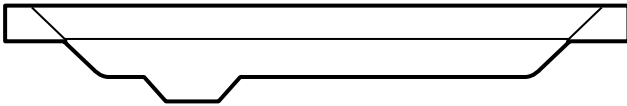
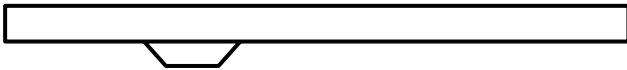
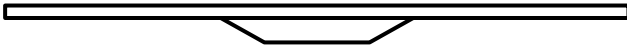
PG	article no.	description	price
IN	B480-901	Disinfection unit, Chrome	2.575 €
IN	B480-000	Disinfection unit , White	2.826 €
IN	B480-035	Disinfection unit , Ebony	2.826 €
IN	B480-440	Disinfection unit , Snow	2.826 €
IN	B480-903	Disinfection unit, Gold finish	3.370 €

Disinfection liquid 500 ml



PG	article no.	description	price
CP	Z0008621	Disinfection liquid 500 ml	56 €

Showers



- 144 BetteUltra Space 800 mm - 1100 mm
- 146 BetteUltra Space 1200 mm - 1400 mm
- 148 BetteUltra Space 1500 mm - 1700 mm
- 150 BetteUltra 700 mm - 900 mm
- 152 BetteUltra 1000 mm - 1100 mm
- 154 BetteUltra 1200 mm - 1300 mm
- 156 BetteUltra 1400 mm - 1500 mm
- 158 BetteUltra 1600 mm - 1700 mm
- 160 BetteUltra 1800 mm - 2000 mm
- 162 BetteFloor Side 900 mm - 1200 mm
- 164 BetteFloor Side 1300 mm - 1500 mm
- 166 BetteFloor Side 1600 mm - 1800 mm
- 168 BetteFloor 800 mm - 1000 mm
- 170 BetteFloor 1100 mm - 1200 mm
- 172 BetteFloor 1300 mm - 1500 mm
- 174 BetteFloor 1600 mm - 1800 mm
- 176 BetteAir
- 178 BetteSupra 700 mm - 900 mm
- 180 BetteSupra 1000 mm - 1100 mm
- 182 BetteSupra 1200 mm - 1300 mm
- 184 BetteSupra 1400 mm - 1500 mm
- 186 BetteSupra 1600 mm - 1800 mm
- 188 BetteQuinta 700 mm - 900 mm
- 190 BetteQuinta 1000 mm - 1200 mm
- 192 BetteDelta 800 mm - 900 mm
- 194 BetteDelta 1000 mm - 1200 mm
- 196 BetteCaro 35 mm, same shank length
- 198 BetteCorner 35 mm, same shank length
- 200 BetteCorner 35 mm, different shank length

BetteUltra Space 800 mm - 1100 mm

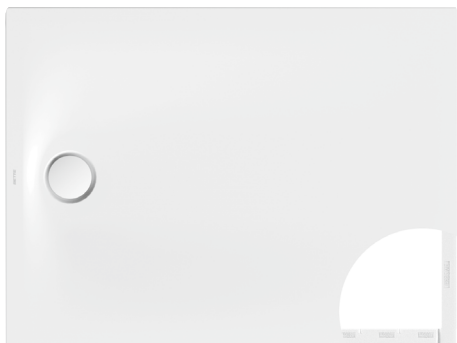
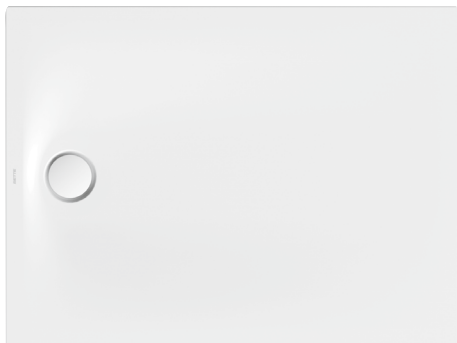


Illustration with pre-assembled Minimum support (T1).

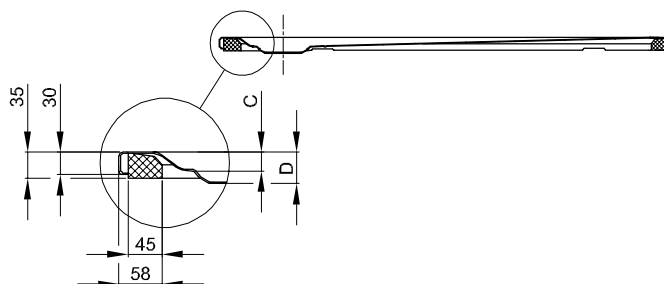
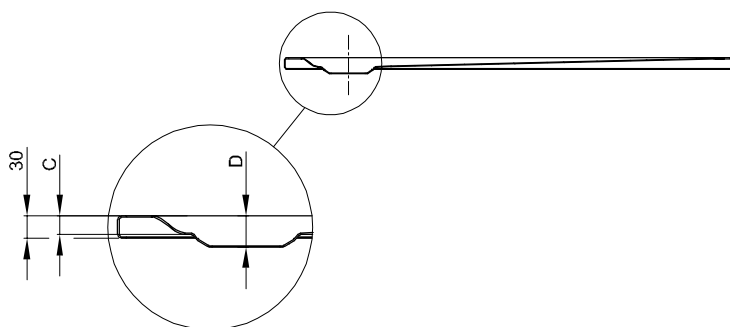
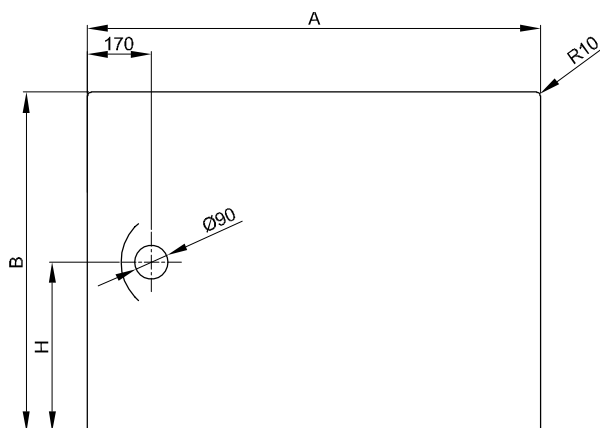


Illustration with pre-assembled Minimum support (T1).

Information

We recommend to install the shower area with the Minimum support (T1).

Scope of delivery

Including noise-reducing pads.

Installation height

Waste fittings	from
B568-	90 mm
B598-	103 mm
B597-	83 mm

Dimensions

article no.	dimensions in mm	A	B	C	D	H
4003 - available from week 13, 2026	800 x 750	800	750	15	30	375
4004	800 x 800	800	800	15	30	400
4007 - available from week 18, 2026	900 x 700	900	700	15	30	350
4008	900 x 750	900	750	15	30	375
4009	900 x 800	900	800	15	30	400
4010 - available from week 26, 2026	900 x 850	900	850	15	30	425
4011	900 x 900	900	900	15	30	450
4012 - available from week 9, 2026	1000 x 700	1000	700	15	30	350
4013 - available from week 9, 2026	1000 x 750	1000	750	15	30	375
4014	1000 x 800	1000	800	15	30	400
4015	1000 x 900	1000	900	15	30	450
4016	1000 x 1000	1000	1000	15	30	500
4019 - available from week 26, 2026	1100 x 750	1100	750	25	40	375
4020	1100 x 800	1100	800	25	40	400
4021	1100 x 900	1100	900	25	40	450
4022 - available from week 18, 2026	1100 x 1000	1100	1000	25	40	500

Subject to alteration and production tolerance.

Dimensions

Further dimensions on the following pages.

PG	article no.	dimensions in mm	weight (net)	pcs/pallet	White 000	Key Colours	Bespoke Colours
					→ cover	→ cover	→ cover
ES	4003	800 x 750	14.5 kg	40	543 €	543 €	712 €
ES	4004	800 x 800	15.3 kg	40	543 € ▲	543 €	712 €
ES	4007	900 x 700	14.9 kg	40	543 €	543 €	712 €
ES	4008	900 x 750	16 kg	40	543 € ▲	543 €	712 €
ES	4009	900 x 800	16.8 kg	40	543 € ▲	543 €	712 €
ES	4010	900 x 850	18 kg	40	543 €	543 €	712 €
ES	4011	900 x 900	18.8 kg	40	543 € ▲	543 €	712 €
ES	4012	1000 x 700	16.5 kg	40	624 €	624 €	793 €
ES	4013	1000 x 750	17.8 kg	40	624 €	624 €	793 €
ES	4014	1000 x 800	19.3 kg	40	624 € ▲	624 €	793 €
ES	4015	1000 x 900	21.1 kg	40	624 € ▲	624 €	793 €
ES	4016	1000 x 1000	23.3 kg	40	624 € ▲	624 €	793 €
ES	4019	1100 x 750	19.5 kg	40	652 €	652 €	821 €
ES	4020	1100 x 800	20.5 kg	40	652 € ▲	652 €	821 €
ES	4021	1100 x 900	22.8 kg	40	652 € ▲	652 €	821 €
ES	4022	1100 x 1000	27.7 kg	40	652 €	652 €	821 €

Extras

PG	code	description	see	price
EX	AS	BetteAnti-Slip Sense - class C ^{*1,2}	p. 259	165 €
EX	AE	BetteAnti-Slip Pro - class B ^{*1}	p. 258	165 €
EX	PLUS	BetteGlaze® Plus	p. 260	138 €
EX	T1	Minimum tray support (pre-assembled at factory) for showers	p. 263	68 €
EX	W	BetteSeal+	p. 262	189 €

*1 Not available with Glaze® Plus.

*2 Only available in combination with White (000).

Waste fittings

PG	article no.	description	see	Chrome 901	White and coloured → p. 290	White and coloured with Antislip Pro* White 000 with Anti-Slip Sense*
IN	B568-	BetteCompact+, side outlet - 0,5 l/s	p. 286	89 €	154 €	154 €
IN	B598-	BetteSolid 50, side outlet - 0,6 l/s	p. 286	163 €	217 €	217 €
IN	B597-	BetteSolid 30, side outlet - 0,6 l/s	p. 287	163 €	217 €	217 €

* Please also state code AY or AX, refer to page 5 for order information.

Accessories

PG	article no.	description	see	price
IN	B57-0371	Sealing System for Minimum Support	p. 325	107 €
IN	B57-0375	Sealing System onto wooden floor	p. 325	138 €
IN	B57-0370	Sealing System for rectangular shower trays	p. 325	107 €
IN	B57-0408	Sealing tape on roll 4 m	p. 326	23 €
IN	B57-0407	Tile adhesive protection tape 3300 x 120 mm	p. 327	32 €
IN	Z0008669	Wall Brackets	p. 327	39 €
IN	B57-0410	Minimum Support Flex for shower trays up to 25 mm & shower areas	p. 324	56 €



BetteSimple Fix

PG	article no.	description	see	price
IN	B57-0433	4 BetteSimple Fix installation feet for showers with both side lengths ≤ 900 mm	p. 315	89 €
IN	B57-0434	6 BetteSimple Fix installation feet for showers with a side length > 900 mm	p. 315	125 €
IN	B57-0435	8 BetteSimple Fix installation feet for showers with both side lengths > 900 mm	p. 315	161 €

BetteUltra Space 1200 mm - 1400 mm

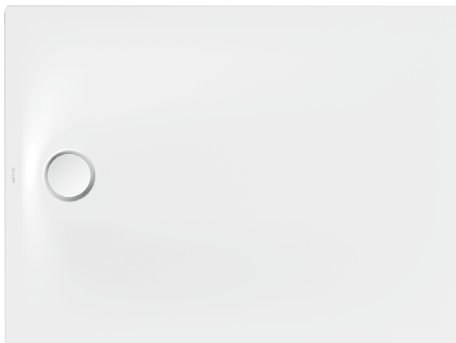


Illustration with pre-assembled Minimum support (T1).

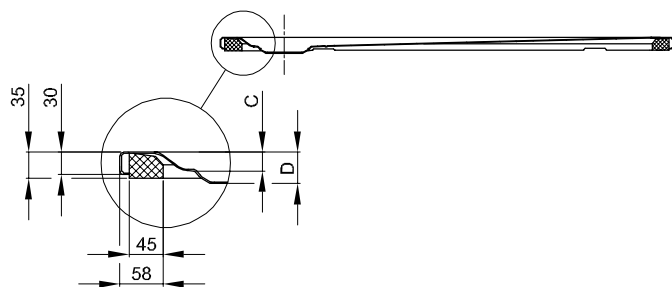
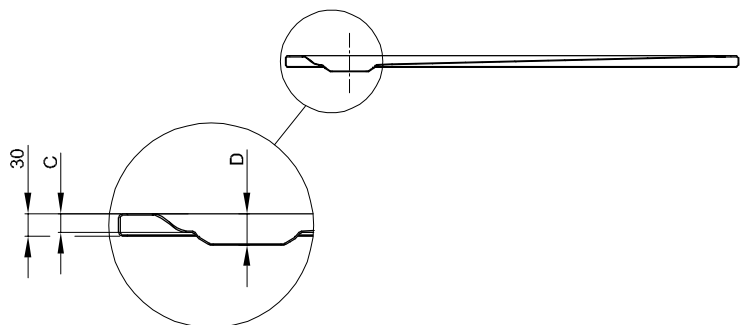
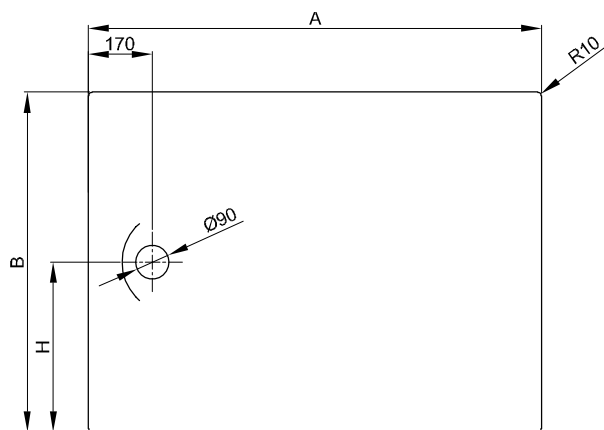


Illustration with pre-assembled Minimum support (T1).

Information

We recommend to install the shower area with the Minimum support (T1).

Scope of delivery

Including noise-reducing pads.

Installation height

Waste fittings	from
B568-	100 mm
B598-	113 mm
B597-	93 mm

Dimensions

article no.	dimensions in mm	A	B	C	D	H
4024 - available from week 22, 2026	1200 × 700	1200	700	25	40	350
4025 - available from week 9, 2026	1200 × 750	1200	750	25	40	375
4026	1200 × 800	1200	800	25	40	400
4027	1200 × 900	1200	900	25	40	450
4028	1200 × 1000	1200	1000	25	40	500
4030 - available from week 13, 2026	1200 × 1200	1200	1200	25	40	600
4033 - available from week 18, 2026	1300 × 800	1300	800	25	40	400
4034 - available from week 18, 2026	1300 × 900	1300	900	25	40	450
4037 - available from week 22, 2026	1400 × 700	1400	700	25	40	350
4038 - available from week 22, 2026	1400 × 750	1400	750	25	40	375
4039	1400 × 800	1400	800	25	40	400
4040	1400 × 900	1400	900	25	40	450
4041	1400 × 1000	1400	1000	25	40	500

Dimensions

Further dimensions on the following pages.

PG	article no.	dimensions in mm	weight (net)	pcs/pallet	White 000 → cover	Key Colours → cover	Bespoke Colours → cover
ES	4024	1200 x 700	20.3 kg	40	706 €	706 €	875 €
ES	4025	1200 x 750	21 kg	40	706 €	706 €	875 €
ES	4026	1200 x 800	22.2 kg	40	706 € ▲	706 €	875 €
ES	4027	1200 x 900	31.9 kg	40	706 € ▲	706 €	875 €
ES	4028	1200 x 1000	35.5 kg	14	706 € ▲	706 €	875 €
ES	4030	1200 x 1200	41 kg	14	765 €	765 €	934 €
ES	4033	1300 x 800	24 kg	14	765 €	765 €	934 €
ES	4034	1300 x 900	34.2 kg	14	765 €	765 €	934 €
ES	4037	1400 x 700	23 kg	14	765 €	765 €	934 €
ES	4038	1400 x 750	23.3 kg	14	765 €	765 €	934 €
ES	4039	1400 x 800	25.9 kg	14	765 € ▲	765 €	934 €
ES	4040	1400 x 900	36.4 kg	14	765 € ▲	765 €	934 €
ES	4041	1400 x 1000	39.9 kg	14	765 € ▲	765 €	934 €

Extras

PG	code	description	see	price
EX	AS	BetteAnti-Slip Sense - class C ^{*1,2}	p. 259	165 €
EX	AE	BetteAnti-Slip Pro - class B ^{*1}	p. 258	165 €
EX	PLUS	BetteGlaze® Plus	p. 260	138 €
EX	T1	Minimum tray support (pre-assembled at factory) for showers	p. 263	68 €
EX	W	BetteSeal+	p. 262	189 €

*1 Not available with Glaze® Plus.

*2 Only available in combination with White (000).

Waste fittings

PG	article no.	description	see	Chrome 901	White and coloured → p. 290	White and coloured with Antislip Pro* White 000 with Anti-Slip Sense*
IN	B568-	BetteCompact+, side outlet - 0,5 l/s	p. 286	89 €	154 €	154 €
IN	B598-	BetteSolid 50, side outlet - 0,6 l/s	p. 286	163 €	217 €	217 €
IN	B597-	BetteSolid 30, side outlet - 0,6 l/s	p. 287	163 €	217 €	217 €

* Please also state code AY or AX, refer to page 5 for order information.

Accessories

PG	article no.	description	see	price
IN	B57-0371	Sealing System for Minimum Support	p. 325	107 €
IN	B57-0375	Sealing System onto wooden floor	p. 325	138 €
IN	B57-0370	Sealing System for rectangular shower trays	p. 325	107 €
IN	B57-0408	Sealing tape on roll 4 m	p. 326	23 €
IN	B57-0407	Tile adhesive protection tape 3300 x 120 mm	p. 327	32 €
IN	Z0008669	Wall Brackets	p. 327	39 €
IN	B57-0410	Minimum Support Flex for shower trays up to 25 mm & shower areas	p. 324	56 €



BetteSimple Fix

PG	article no.	description	see	price
IN	B57-0434	6 BetteSimple Fix installation feet for showers with a side length > 900 mm	p. 315	125 €
IN	B57-0435	8 BetteSimple Fix installation feet for showers with both side lengths > 900 mm	p. 315	161 €

BetteUltra Space 1500 mm - 1700 mm

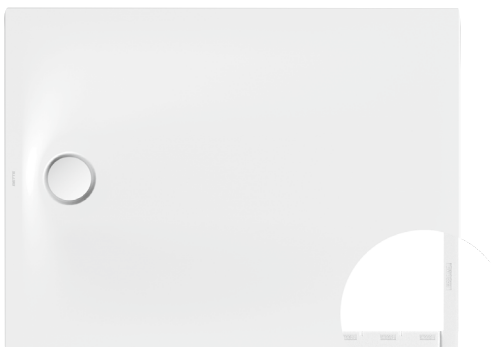
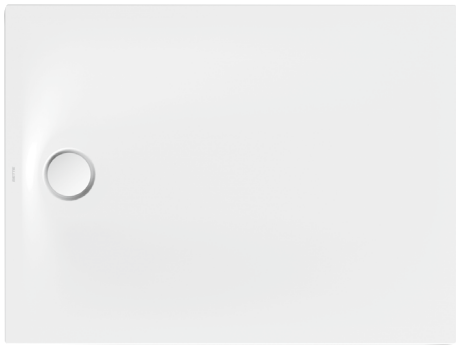


Illustration with pre-assembled Minimum support (T1).

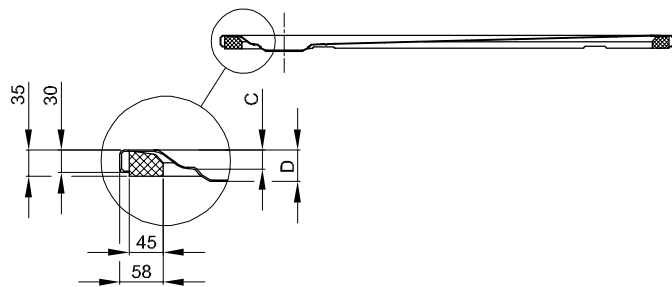
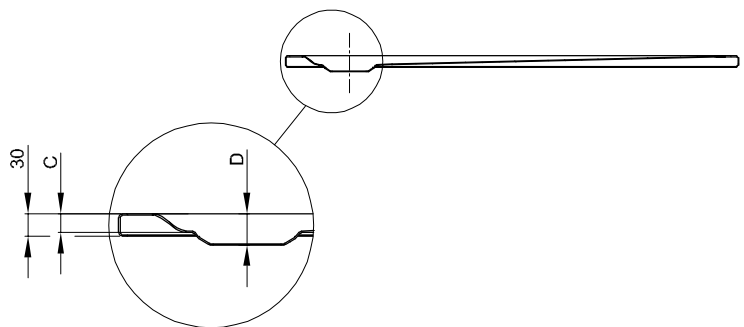
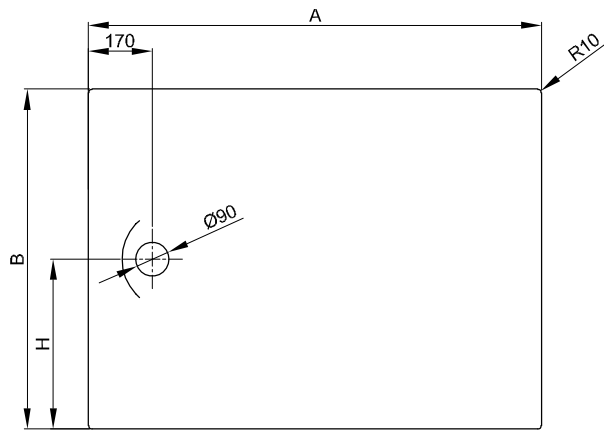


Illustration with pre-assembled Minimum support (T1).

Information

We recommend to install the shower area with the Minimum support (T1).

Scope of delivery

Including noise-reducing pads.

Installation height

Waste fittings	from
B568-	100 mm
B598-	113 mm
B597-	93 mm

Dimensions

article no.	dimensions in mm	A	B	C	D	H
4045 - available from week 9, 2026	1500 × 800	1500	800	25	40	400
4046 - available from week 13, 2026	1500 × 900	1500	900	25	40	450
4047 - available from week 26, 2026	1500 × 1000	1500	1000	25	40	500
4049 - available from week 26, 2026	1600 × 700	1600	700	25	40	350
4050 - available from week 22, 2026	1600 × 750	1600	750	25	40	375
4051	1600 × 800	1600	800	25	40	400
4052	1600 × 900	1600	900	25	40	450
4053	1600 × 1000	1600	1000	25	40	500
4054 - available from week 13, 2026	1700 × 700	1700	700	25	40	350
4055	1700 × 750	1700	750	25	40	375
4056	1700 × 800	1700	800	25	40	400

Dimensions

PG	article no.	dimensions in mm	weight (net)	pcs/pallet	White 000 → cover	Key Colours → cover	Bespoke Colours → cover
ES	4045	1500 x 800	35 kg	14	794 €	794 €	963 €
ES	4046	1500 x 900	39.5 kg	14	794 €	794 €	963 €
ES	4047	1500 x 1000	41.5 kg	14	794 €	794 €	963 €
ES	4049	1600 x 700	30 kg	14	794 €	794 €	963 €
ES	4050	1600 x 750	35 kg	14	794 €	794 €	963 €
ES	4051	1600 x 800	37.8 kg	14	794 € ▲	794 €	963 €
ES	4052	1600 x 900	41.9 kg	14	794 € ▲	794 €	963 €
ES	4053	1600 x 1000	45.6 kg	14	855 € ▲	855 €	1.024 €
ES	4054	1700 x 700	33 kg	14	824 €	824 €	993 €
ES	4055	1700 x 750	34.5 kg	14	824 € ▲	824 €	993 €
ES	4056	1700 x 800	39.3 kg	14	824 € ▲	824 €	993 €

Extras

PG	code	description	see	price
EX	AS	BetteAnti-Slip Sense - class C* ^{1,2}	p. 259	165 €
EX	AE	BetteAnti-Slip Pro - class B* ¹	p. 258	165 €
EX	PLUS	BetteGlaze® Plus	p. 260	138 €
EX	T1	Minimum tray support (pre-assembled at factory) for showers	p. 263	68 €
EX	W	BetteSeal+	p. 262	189 €

*1 Not available with Glaze® Plus.

*2 Only available in combination with White (000).

Waste fittings

PG	article no.	description	see	Chrome 901	White and coloured → p. 290	White and coloured with Antislip Pro* White 000 with Anti-Slip Sense*
IN	B568-	BetteCompact+, side outlet - 0,5 l/s	p. 286	89 €	154 €	154 €
IN	B598-	BetteSolid 50, side outlet - 0,6 l/s	p. 286	163 €	217 €	217 €
IN	B597-	BetteSolid 30, side outlet - 0,6 l/s	p. 287	163 €	217 €	217 €

* Please also state code AY or AX, refer to page 5 for order information.

Accessories

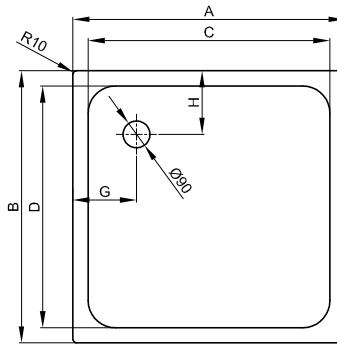
PG	article no.	description	see	price
IN	B57-0371	Sealing System for Minimum Support	p. 325	107 €
IN	B57-0375	Sealing System onto wooden floor	p. 325	138 €
IN	B57-0370	Sealing System for rectangular shower trays	p. 325	107 €
IN	B57-0408	Sealing tape on roll 4 m	p. 326	23 €
IN	B57-0407	Tile adhesive protection tape 3300 x 120 mm	p. 327	32 €
IN	Z0008669	Wall Brackets	p. 327	39 €
IN	B57-0410	Minimum Support Flex for shower trays up to 25 mm & shower areas	p. 324	56 €



BetteSimple Fix

PG	article no.	description	see	price
IN	B57-0434	6 BetteSimple Fix installation feet for showers with a side length > 900 mm	p. 315	125 €
IN	B57-0435	8 BetteSimple Fix installation feet for showers with both side lengths > 900 mm	p. 315	161 €

BetteUltra 700 mm - 900 mm



Shower trays < 1000 mm



Shower trays < 1000 mm

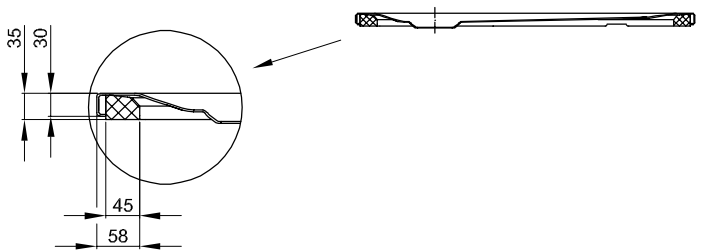


Illustration with pre-assembled Minimum support (T1).

Illustration with pre-assembled Minimum support (T1).

Information

We recommend to install the shower area with the Minimum support (T1).

Scope of delivery

Including noise-reducing pads.

Installation height

Waste fittings	from
B568-	100 mm
B598-	113 mm
B597-	93 mm

Dimensions

article no.	dimensions in mm	A	B	C	D	G	H
5719	700 × 700 × 25	700	700	600	600	210	210
5529	750 × 750 × 25	750	750	650	650	210	210
5679	800 × 700 × 25	800	700	700	600	210	210
5669	800 × 750 × 25	800	750	700	650	210	210
5830	800 × 800 × 25	800	800	700	700	210	210
1589	850 × 850 × 25	850	850	700	700	235	235
8600	900 × 600 × 25	900	600	800	500	210	210
5709	900 × 700 × 25	900	700	800	600	210	210
5840	900 × 750 × 25	900	750	800	650	210	210
8750	900 × 800 × 25	900	800	800	700	210	210
1559	900 × 850 × 25	900	850	800	700	210	235
5930	900 × 900 × 25	900	900	800	800	210	210

Subject to alteration and production tolerance.

Dimensions

Further dimensions on the following pages.

PG	article no.	dimensions in mm	weight (net)	pcs/pallet	White 000 → cover	Key Colours → cover	Bespoke Colours → cover
ES	5719	700 x 700 x 25	11.8 kg	40	543 € ▲	543 €	712 €
ES	5529	750 x 750 x 25	13.4 kg	40	543 € ▲	543 €	712 €
ES	5679	800 x 700 x 25	13.5 kg	40	543 € ▲	543 €	712 €
ES	5669	800 x 750 x 25	14.5 kg	40	543 € ▲	543 €	712 €
ES	5830	800 x 800 x 25	15.3 kg	40	543 € ▲	543 €	712 €
ES	1589	850 x 850 x 25	16.5 kg	40	543 € ▲	543 €	712 €
ES	8600	900 x 600 x 25	13 kg	40	543 €	543 €	712 €
ES	5709	900 x 700 x 25	14.9 kg	40	543 € ▲	543 €	712 €
ES	5840	900 x 750 x 25	16 kg	40	543 € ▲	543 €	712 €
ES	8750	900 x 800 x 25	16.8 kg	40	543 € ▲	543 €	712 €
ES	1559	900 x 850 x 25	18 kg	40	543 € ▲	543 €	712 €
ES	5930	900 x 900 x 25	18.8 kg	40	543 € ▲	543 €	712 €

Extras

PG	code	description	see	price
EX	AS	BetteAnti-Slip Sense - class C ^{*1,2}	p. 259	165 €
EX	AE	BetteAnti-Slip Pro - class B ^{*1}	p. 258	165 €
EX	PLUS	BetteGlaze® Plus	p. 260	138 €
EX	T1	Minimum tray support (pre-assembled at factory) for showers	p. 263	68 €
EX	W	BetteSeal+	p. 262	189 €
EX		BetteUpstand	p. 264	from 367 €
EX		Special size	p. 270	350 €
EX		Profi Corner	p. 268	from 350 €

*1 Not available with Glaze® Plus.

*2 Only available in combination with White (000).

Waste fittings

PG	article no.	description	see	Chrome 901	White and coloured → p. 290	White and coloured with Antislip Pro* White 000 with Anti-Slip Sense*
IN	B568-	BetteCompact+, side outlet - 0,5 l/s	p. 286	89 €	154 €	154 €
IN	B598-	BetteSolid 50, side outlet - 0,6 l/s	p. 286	163 €	217 €	217 €
IN	B597-	BetteSolid 30, side outlet - 0,6 l/s	p. 287	163 €	217 €	217 €

* Please also state code AY or AX, refer to page 5 for order Information.

Accessories

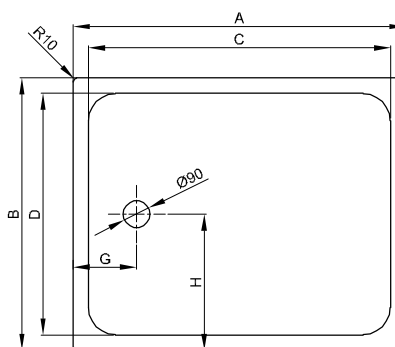
PG	article no.	description	see	price
IN	B57-0370	Sealing System for rectangular shower trays	p. 325	107 €
IN	B57-0375	Sealing System onto wooden floor	p. 325	138 €
IN	B57-0408	Sealing tape on roll 4 m	p. 326	23 €
IN	B57-0407	Tile adhesive protection tape 3300 x 120 mm	p. 327	32 €
IN	Z0008669	Wall Brackets	p. 327	39 €
IN	B57-0410	Minimum Support Flex for shower trays up to 25 mm & shower areas	p. 324	56 €



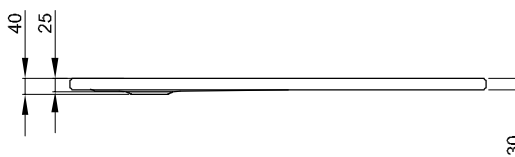
BetteSimple Fix

PG	article no.	description	see	price
IN	B57-0433	4 BetteSimple Fix installation feet for showers with both side lengths ≤ 900 mm	p. 315	89 €

BetteUltra 1000 mm - 1100 mm



Shower trays \geq 1000 mm



Shower trays $<$ 1000 mm

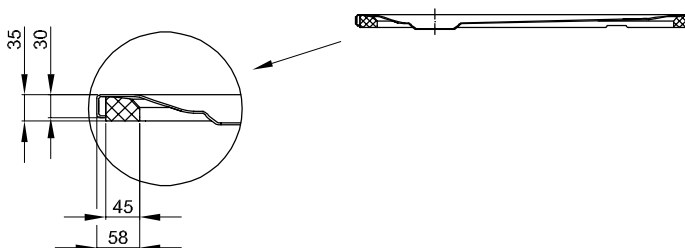


Illustration with pre-assembled Minimum support (T1).

Illustration with pre-assembled Minimum support (T1).

Information

We recommend to install the shower area with the Minimum support (T1).

Scope of delivery

Including noise-reducing pads.

Installation height

Waste fittings	from
B568-	110 mm
B598-	123 mm
B597-	103 mm

Dimensions

article no.	dimensions in mm	A	B	C	D	G	H
5879	1000 × 700 × 25	1000	700	900	600	210	350
1650	1000 × 750 × 25	1000	750	900	650	210	375
5490	1000 × 800 × 25	1000	800	900	700	210	400
1660	1000 × 900 × 25	1000	900	900	800	210	450
5940	1000 × 1000 × 25	1000	1000	900	900	210	500
8710	1050 × 750 × 35	1050	750	900	650	235	375
8725	1100 × 700 × 35	1100	700	1000	600	210	350
8727	1100 × 750 × 35	1100	750	1000	650	210	375
8729	1100 × 800 × 35	1100	800	920	700	260	400
8630	1100 × 900 × 35	1100	900	1000	800	210	450
8737	1100 × 1000 × 35	1100	1000	1000	900	210	500
8743	1100 × 1100 × 35	1100	1100	1000	1000	210	550

Subject to alteration and production tolerance.

Dimensions

Further dimensions on the following pages.

PG	article no.	dimensions in mm	weight (net)	pcs/pallet	White 000	Key Colours	Bespoke Colours
					→ cover	→ cover	→ cover
ES	5879	1000 x 700 x 25	16.5 kg	40	624 € ▲	624 €	793 €
ES	1650	1000 x 750 x 25	17.8 kg	40	624 € ▲	624 €	793 €
ES	5490	1000 x 800 x 25	19.3 kg	40	624 € ▲	624 €	793 €
ES	1660	1000 x 900 x 25	21.1 kg	40	624 € ▲	624 €	793 €
ES	5940	1000 x 1000 x 25	23.3 kg	40	624 € ▲	624 €	793 €
ES	8710	1050 x 750 x 35	18.7 kg	40	652 €	652 €	821 €
ES	8725	1100 x 700 x 35	18.1 kg	40	652 € ▲	652 €	821 €
ES	8727	1100 x 750 x 35	19.5 kg	40	652 € ▲	652 €	821 €
ES	8729	1100 x 800 x 35	20.5 kg	40	652 € ▲	652 €	821 €
ES	8630	1100 x 900 x 35	22.8 kg	40	652 € ▲	652 €	821 €
ES	8737	1100 x 1000 x 35	25.2 kg	40	652 € ▲	652 €	821 €
ES	8743	1100 x 1100 x 35	27.7 kg	40	652 € ▲	652 €	821 €

Extras

PG	code	description	see	price
EX	AS	BetteAnti-Slip Sense - class C ^{*1,2}	p. 259	165 €
EX	AE	BetteAnti-Slip Pro - class B ^{*1}	p. 258	165 €
EX	PLUS	BetteGlaze® Plus	p. 260	138 €
EX	T1	Minimum tray support (pre-assembled at factory) for showers	p. 263	68 €
EX	W	BetteSeal+	p. 262	189 €
EX		BetteUpstand	p. 264	from 367 €
EX		Special size	p. 270	350 €
EX		Profi Corner	p. 268	from 350 €

*1 Not available with Glaze® Plus.

*2 Only available in combination with White (000).

Waste fittings

PG	article no.	description	see	Chrome 901	White and coloured → p. 290	White and coloured with Antislip Pro* White 000 with Anti-Slip Sense*
IN	B568-	BetteCompact+, side outlet - 0,5 l/s	p. 286	89 €	154 €	154 €
IN	B598-	BetteSolid 50, side outlet - 0,6 l/s	p. 286	163 €	217 €	217 €
IN	B597-	BetteSolid 30, side outlet - 0,6 l/s	p. 287	163 €	217 €	217 €

* Please also state code AY or AX, refer to page 5 for order information.

Accessories

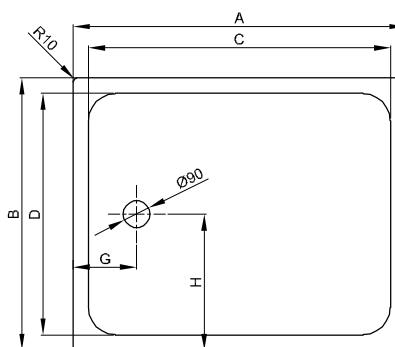
PG	article no.	description	see	price
IN	B57-0370	Sealing System for rectangular shower trays	p. 325	107 €
IN	B57-0375	Sealing System onto wooden floor	p. 325	138 €
IN	B57-0371	Sealing System for Minimum Support	p. 325	107 €
IN	B57-0408	Sealing tape on roll 4 m	p. 326	23 €
IN	B57-0407	Tile adhesive protection tape 3300 x 120 mm	p. 327	32 €
IN	Z0008669	Wall Brackets	p. 327	39 €
IN	B57-0410	Minimum Support Flex for shower trays up to 25 mm & shower areas	p. 324	56 €



BetteSimple Fix

PG	article no.	description	see	price
IN	B57-0434	6 BetteSimple Fix installation feet for showers with a side length > 900 mm	p. 315	125 €
IN	B57-0435	8 BetteSimple Fix installation feet for showers with both side lengths > 900 mm	p. 315	161 €

BetteUltra 1200 mm - 1300 mm



Shower trays ≥ 1000 mm

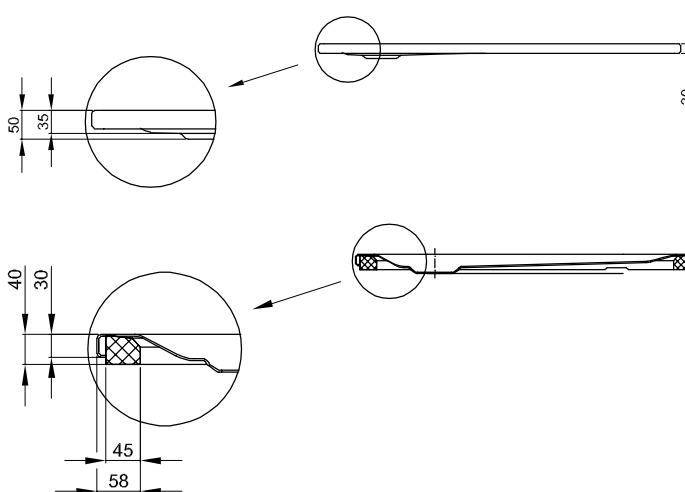


Illustration with pre-assembled Minimum support (T1).

Illustration with pre-assembled Minimum support (T1).

Information

We recommend to install the shower area with the Minimum support (T1).

Scope of delivery

Including noise-reducing pads.

Installation height

Waste fittings	from
B568-	110 mm
B598-	123 mm
B597-	103 mm

Dimensions

article no.	dimensions in mm	A	B	C	D	G	H
5979	1200 x 700 x 35	1200	700	1100	600	210	350
1670	1200 x 750 x 35	1200	750	1100	650	210	375
1680	1200 x 800 x 35	1200	800	1100	700	210	400
1260	1200 x 900 x 35	1200	900	1100	800	210	450
8660	1200 x 1000 x 35	1200	1000	1100	900	210	500
8664	1200 x 1100 x 35	1200	1100	1100	1000	210	550
8720	1200 x 1200 x 35	1200	1200	1120	1120	210	600
5784	1300 x 700 x 35	1300	700	1200	600	210	350
5785	1300 x 750 x 35	1300	750	1200	600	210	375
5786	1300 x 800 x 35	1300	800	1200	700	210	400
5795	1300 x 900 x 35	1300	900	1200	800	210	450
5788	1300 x 1000 x 35	1300	1000	1200	900	210	500
5826	1300 x 1300 x 35	1300	1300	1200	1200	210	650

Subject to alteration and production tolerance.

Dimensions

Further dimensions on the following pages.

PG	article no.	dimensions in mm	weight (net)	pcs/pallet	White 000 → cover	Key Colours → cover	Bespoke Colours → cover
ES	5979	1200 x 700 x 35	20.3 kg	40	706 € ▲	706 €	875 €
ES	1670	1200 x 750 x 35	21 kg	40	706 € ▲	706 €	875 €
ES	1680	1200 x 800 x 35	22.2 kg	40	706 € ▲	706 €	875 €
ES	1260	1200 x 900 x 35	24.8 kg	40	706 € ▲	706 €	875 €
ES	8660	1200 x 1000 x 35	27.9 kg	14	706 € ▲	706 €	875 €
ES	8664	1200 x 1100 x 35	30 kg	14	765 € ▲	765 €	934 €
ES	8720	1200 x 1200 x 35	32.7 kg	14	765 € ▲	765 €	934 €
ES	5784	1300 x 700 x 35	20.5 kg	14	765 €	765 €	934 €
ES	5785	1300 x 750 x 35	21.8 kg	14	765 €	765 €	934 €
ES	5786	1300 x 800 x 35	24 kg	14	765 € ▲	765 €	934 €
ES	5795	1300 x 900 x 35	26.7 kg	14	765 € ▲	765 €	934 €
ES	5788	1300 x 1000 x 35	30.3 kg	14	765 € ▲	765 €	934 €
ES	5826	1300 x 1300 x 35	36.8 kg	14	824 €	824 €	993 €

Extras

PG	code	description	see	price
EX	AS	BetteAnti-Slip Sense - class C ^{*1,2}	p. 259	165 €
EX	AE	BetteAnti-Slip Pro - class B ^{*1}	p. 258	165 €
EX	PLUS	BetteGlaze® Plus	p. 260	138 €
EX	T1	Minimum tray support (pre-assembled at factory) for showers	p. 263	68 €
EX	W	BetteSeal+	p. 262	189 €
EX		BetteUpstand	p. 264	from 367 €
EX		Special size	p. 270	350 €
EX		Profi Corner	p. 268	from 350 €

*1 Not available with Glaze® Plus.

*2 Only available in combination with White (000).

Waste fittings

PG	article no.	description	see	Chrome 901	White and coloured → p. 290	White and coloured with Antislip Pro* White 000 with Anti-Slip Sense*
IN	B568-	BetteCompact+, side outlet - 0,5 l/s	p. 286	89 €	154 €	154 €
IN	B598-	BetteSolid 50, side outlet - 0,6 l/s	p. 286	163 €	217 €	217 €
IN	B597-	BetteSolid 30, side outlet - 0,6 l/s	p. 287	163 €	217 €	217 €

* Please also state code AY or AX, refer to page 5 for order information.

Accessories

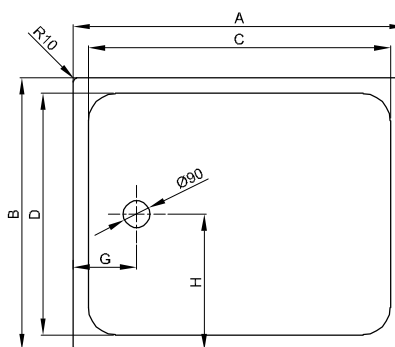
PG	article no.	description	see	price
IN	B57-0370	Sealing System for rectangular shower trays	p. 325	107 €
IN	B57-0375	Sealing System onto wooden floor	p. 325	138 €
IN	B57-0371	Sealing System for Minimum Support	p. 325	107 €
IN	B57-0408	Sealing tape on roll 4 m	p. 326	23 €
IN	B57-0407	Tile adhesive protection tape 3300 x 120 mm	p. 327	32 €
IN	Z0008669	Wall Brackets	p. 327	39 €
IN	B57-0411	Minimum Support Flex for shower trays 35 mm	p. 324	56 €



BetteSimple Fix

PG	article no.	description	see	price
IN	B57-0434	6 BetteSimple Fix installation feet for showers with a side length > 900 mm	p. 315	125 €
IN	B57-0435	8 BetteSimple Fix installation feet for showers with both side lengths > 900 mm	p. 315	161 €

BetteUltra 1400 mm - 1500 mm



Shower trays ≥ 1000 mm

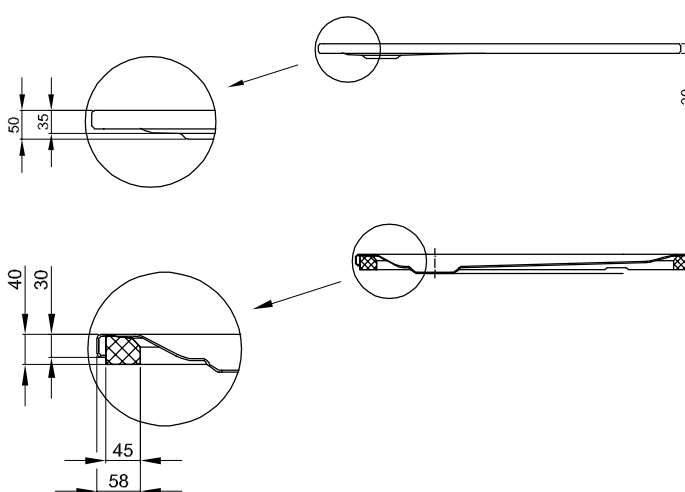


Illustration with pre-assembled Minimum support (T1).

Illustration with pre-assembled Minimum support (T1).

Information

We recommend to install the shower area with the Minimum support (T1).

Scope of delivery

Including noise-reducing pads.

Installation height

Waste fittings	from
B568-	110 mm
B598-	123 mm
B597-	103 mm

Dimensions

article no.	dimensions in mm	A	B	C	D	G	H
5824	1400 x 700 x 35	1400	700	1300	600	210	350
5814	1400 x 750 x 35	1400	750	1300	600	210	375
5804	1400 x 800 x 35	1400	800	1300	700	210	400
5834	1400 x 900 x 35	1400	900	1300	800	210	450
5838	1400 x 1000 x 35	1400	1000	1300	900	210	500
5828	1400 x 1400 x 35	1400	1400	1300	1300	210	700
5914	1500 x 700 x 35	1500	700	1400	600	210	350
5924	1500 x 750 x 35	1500	750	1400	600	210	375
5932	1500 x 800 x 35	1500	800	1400	700	210	400
5934	1500 x 900 x 35	1500	900	1400	800	210	450
5944	1500 x 1000 x 35	1500	1000	1400	900	210	500
5984	1500 x 1500 x 35	1500	1500	1400	1400	210	750

Subject to alteration and production tolerance.

Dimensions

Further dimensions on the following pages.

PG	article no.	dimensions in mm	weight (net)	pcs/pallet	White 000	Key Colours	Bespoke Colours
					→ cover	→ cover	→ cover
ES	5824	1400 x 700 x 35	23.2 kg	14	765 € ▲	765 €	934 €
ES	5814	1400 x 750 x 35	23.3 kg	14	765 € ▲	765 €	934 €
ES	5804	1400 x 800 x 35	25.9 kg	14	765 € ▲	765 €	934 €
ES	5834	1400 x 900 x 35	28.5 kg	14	765 € ▲	765 €	934 €
ES	5838	1400 x 1000 x 35	32.2 kg	14	765 € ▲	765 €	934 €
ES	5828	1400 x 1400 x 35	42.3 kg	14	882 €	882 €	1.051 €
ES	5914	1500 x 700 x 35	24.6 kg	14	794 €	794 €	963 €
ES	5924	1500 x 750 x 35	26.1 kg	14	794 € ▲	794 €	963 €
ES	5932	1500 x 800 x 35	27.3 kg	14	794 € ▲	794 €	963 €
ES	5934	1500 x 900 x 35	30.9 kg	14	794 € ▲	794 €	963 €
ES	5944	1500 x 1000 x 35	34.2 kg	14	794 € ▲	794 €	963 €
ES	5984	1500 x 1500 x 35	53 kg	5	941 €	941 €	1.110 €

Extras

PG	code	description	see	price
EX	AS	BetteAnti-Slip Sense - class C ^{*1,2}	p. 259	165 €
EX	AE	BetteAnti-Slip Pro - class B ^{*1}	p. 258	165 €
EX	PLUS	BetteGlaze® Plus	p. 260	138 €
EX	T1	Minimum tray support (pre-assembled at factory) for showers	p. 263	68 €
EX	W	BetteSeal+	p. 262	189 €
EX		BetteUpstand	p. 264	from 367 €
EX		Special size	p. 270	350 €
EX		Profi Corner	p. 268	from 350 €

*1 Not available with Glaze® Plus.

*2 Only available in combination with White (000).

Waste fittings

PG	article no.	description	see	Chrome 901	White and coloured → p. 290	White and coloured with Antislip Pro* White 000 with Anti-Slip Sense*
IN	B568-	BetteCompact+, side outlet - 0,5 l/s	p. 286	89 €	154 €	154 €
IN	B598-	BetteSolid 50, side outlet - 0,6 l/s	p. 286	163 €	217 €	217 €
IN	B597-	BetteSolid 30, side outlet - 0,6 l/s	p. 287	163 €	217 €	217 €

* Please also state code AY or AX, refer to page 5 for order information.

Accessories

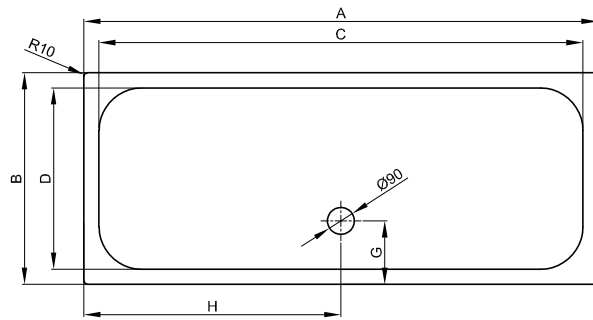
PG	article no.	description	see	price
IN	B57-0370	Sealing System for rectangular shower trays	p. 325	107 €
IN	B57-0375	Sealing System onto wooden floor	p. 325	138 €
IN	B57-0371	Sealing System for Minimum Support	p. 325	107 €
IN	B57-0408	Sealing tape on roll 4 m	p. 326	23 €
IN	B57-0407	Tile adhesive protection tape 3300 x 120 mm	p. 327	32 €
IN	Z0008669	Wall Brackets	p. 327	39 €
IN	B57-0411	Minimum Support Flex for shower trays 35 mm	p. 324	56 €



BetteSimple Fix

PG	article no.	description	see	price
IN	B57-0434	6 BetteSimple Fix installation feet for showers with a side length > 900 mm	p. 315	125 €
IN	B57-0435	8 BetteSimple Fix installation feet for showers with both side lengths > 900 mm	p. 315	161 €

BetteUltra 1600 mm - 1700 mm



shower trays with dimension ≥ 1600 mm are delivered with waste positioned in centre of long shank.

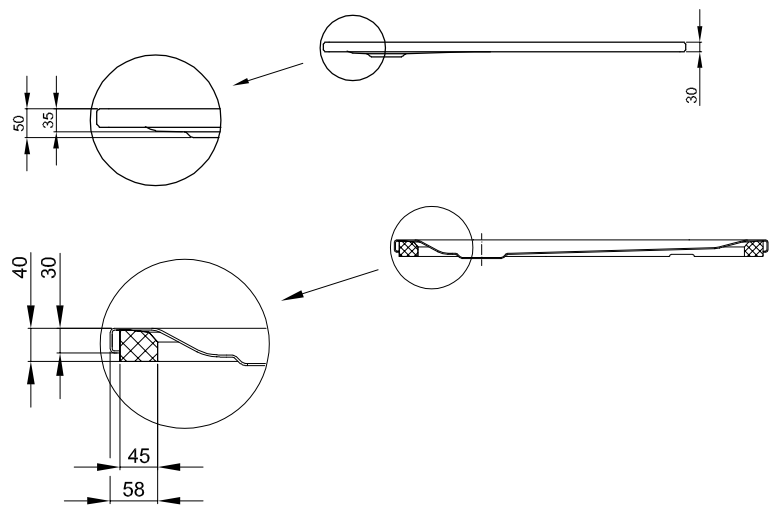
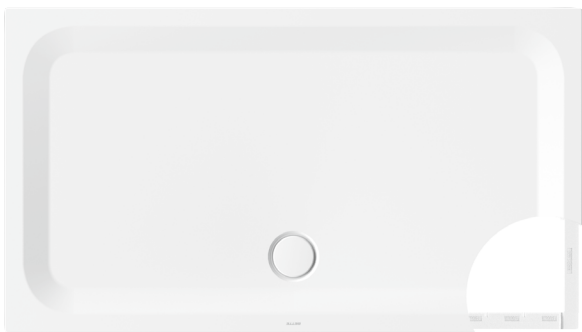


Illustration with pre-assembled Minimum support (T1).

Illustration with pre-assembled Minimum support (T1).

Information

We recommend to install the shower area with the Minimum support (T1).

Scope of delivery

Including noise-reducing pads.

Installation height

Waste fittings	from
B568-	110 mm
B598-	123 mm
B597-	103 mm

Dimensions

article no.	dimensions in mm	A	B	C	D	G	H
5951	1600 x 700 x 35	1600	700	1500	600	210	800
5953	1600 x 750 x 35	1600	750	1500	650	210	800
5955	1600 x 800 x 35	1600	800	1500	700	210	800
5961	1600 x 900 x 35	1600	900	1500	800	210	800
5967	1600 x 1000 x 35	1600	1000	1500	900	210	800
5992	1700 x 700 x 35	1700	700	1600	600	210	850
5996	1700 x 750 x 35	1700	750	1600	600	210	850
5971	1700 x 800 x 35	1700	800	1600	650	235	850
5998	1700 x 900 x 35	1700	900	1600	800	210	850
5806	1700 x 1000 x 35	1700	1000	1600	900	210	850

Subject to alteration and production tolerance.

Dimensions

Further dimensions on the following pages.

PG	article no.	dimensions in mm	weight (net)	pcs/pallet	White 000 → cover	Key Colours → cover	Bespoke Colours → cover
ES	5951	1600 x 700 x 35	26 kg	14	794 € ▲	794 €	963 €
ES	5953	1600 x 750 x 35	27.8 kg	14	794 € ▲	794 €	963 €
ES	5955	1600 x 800 x 35	29.3 kg	14	794 € ▲	794 €	963 €
ES	5961	1600 x 900 x 35	33.1 kg	14	794 € ▲	794 €	963 €
ES	5967	1600 x 1000 x 35	35.9 kg	14	855 € ▲	855 €	1.024 €
ES	5992	1700 x 700 x 35	27.8 kg	14	824 € ▲	824 €	993 €
ES	5996	1700 x 750 x 35	29.3 kg	14	824 € ▲	824 €	993 €
ES	5971	1700 x 800 x 35	30.05 kg	14	824 € ▲	824 €	993 €
ES	5998	1700 x 900 x 35	34.5 kg	14	824 € ▲	824 €	993 €
ES	5806	1700 x 1000 x 35	39.5 kg	14	855 €	855 €	1.024 €

Extras

PG	code	description	see	price
EX	AS	BetteAnti-Slip Sense - class C ^{*1,2}	p. 259	165 €
EX	AE	BetteAnti-Slip Pro - class B ^{*1}	p. 258	165 €
EX	PLUS	BetteGlaze® Plus	p. 260	138 €
EX	T1	Minimum tray support (pre-assembled at factory) for showers	p. 263	68 €
EX	W	BetteSeal+	p. 262	189 €
EX		BetteUpstand	p. 264	from 367 €
EX		Special size	p. 270	350 €
EX		Profi Corner	p. 268	from 350 €

*1 Not available with Glaze® Plus.

*2 Only available in combination with White (000).

Waste fittings

PG	article no.	description	see	Chrome 901	White and coloured → p. 290	White and coloured with Antislip Pro* White 000 with Anti-Slip Sense*
IN	B568-	BetteCompact+, side outlet - 0,5 l/s	p. 286	89 €	154 €	154 €
IN	B598-	BetteSolid 50, side outlet - 0,6 l/s	p. 286	163 €	217 €	217 €
IN	B597-	BetteSolid 30, side outlet - 0,6 l/s	p. 287	163 €	217 €	217 €

* Please also state code AY or AX, refer to page 5 for order information.

Accessories

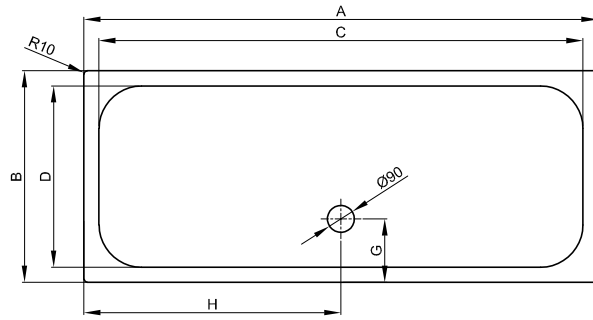
PG	article no.	description	see	price
IN	B57-0370	Sealing System for rectangular shower trays	p. 325	107 €
IN	B57-0375	Sealing System onto wooden floor	p. 325	138 €
IN	B57-0371	Sealing System for Minimum Support	p. 325	107 €
IN	B57-0408	Sealing tape on roll 4 m	p. 326	23 €
IN	B57-0407	Tile adhesive protection tape 3300 x 120 mm	p. 327	32 €
IN	Z0008669	Wall Brackets	p. 327	39 €
IN	B57-0411	Minimum Support Flex for shower trays 35 mm	p. 324	56 €



BetteSimple Fix

PG	article no.	description	see	price
IN	B57-0434	6 BetteSimple Fix installation feet for showers with a side length > 900 mm	p. 315	125 €
IN	B57-0435	8 BetteSimple Fix installation feet for showers with both side lengths > 900 mm	p. 315	161 €

BetteUltra 1800 mm - 2000 mm



shower trays with dimension ≥ 1600 mm are delivered with waste positioned in centre of long shank.

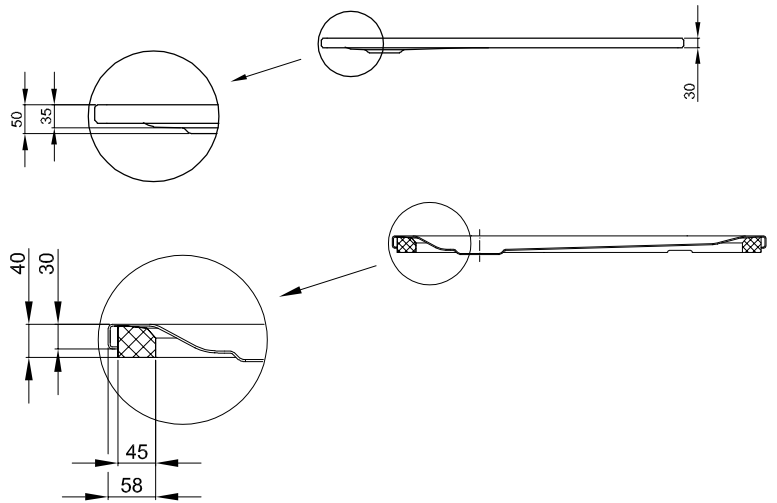


Illustration with pre-assembled Minimum support (T1).

Illustration with pre-assembled Minimum support (T1).

Information

We recommend to install the shower area with the Minimum support (T1).

Scope of delivery

Including noise-reducing pads.

Installation height

Waste fittings	from
B568-	110 mm
B598-	123 mm
B597-	103 mm

Dimensions

article no.	dimensions in mm	A	B	C	D	G	H
5986	1800 x 800 x 35	1800	800	1700	700	210	900
5982	1800 x 900 x 35	1800	900	1700	800	210	900
5808	1800 x 1000 x 35	1800	1000	1700	900	210	900
5973	1900 x 900 x 35	1900	900	1800	800	210	950
5974	2000 x 900 x 35	2000	900	1900	800	210	1000

Dimensions

PG	article no.	dimensions in mm	weight (net)	pcs/pallet	White 000 → cover	Key Colours → cover	Bespoke Colours → cover
ES	5986	1800 x 800 x 35	33.2 kg	14	855 € ▲	855 €	1.024 €
ES	5982	1800 x 900 x 35	36.4 kg	14	855 € ▲	855 €	1.024 €
ES	5808	1800 x 1000 x 35	40 kg	14	855 € ▲	855 €	1.024 €
ES	5973	1900 x 900 x 35	38 kg	14	919 €	919 €	1.088 €
ES	5974	2000 x 900 x 35	40 kg	14	919 €	919 €	1.088 €

Extras

PG	code	description	see	price
EX	AS	BetteAnti-Slip Sense - class C ^{*1,2}	p. 259	165 €
EX	AE	BetteAnti-Slip Pro - class B ^{*1}	p. 258	165 €
EX	PLUS	BetteGlaze® Plus	p. 260	138 €
EX	T1	Minimum tray support (pre-assembled at factory) for showers	p. 263	68 €
EX	W	BetteSeal+	p. 262	189 €
EX		BetteUpstand	p. 264	from 367 €
EX		Special size	p. 270	350 €
EX		Profi Corner	p. 268	from 350 €

*1 Not available with Glaze® Plus.

*2 Only available in combination with White (000).

Waste fittings

PG	article no.	description	see	Chrome 901	White and coloured → p. 290	White and coloured with Antislip Pro* White 000 with Anti-Slip Sense*
IN	B568-	BetteCompact+, side outlet - 0,5 l/s	p. 286	89 €	154 €	154 €
IN	B598-	BetteSolid 50, side outlet - 0,6 l/s	p. 286	163 €	217 €	217 €
IN	B597-	BetteSolid 30, side outlet - 0,6 l/s	p. 287	163 €	217 €	217 €

* Please also state code AY or AX, refer to page 5 for order information.

Accessories

PG	article no.	description	see	price
IN	B57-0370	Sealing System for rectangular shower trays	p. 325	107 €
IN	B57-0375	Sealing System onto wooden floor	p. 325	138 €
IN	B57-0371	Sealing System for Minimum Support	p. 325	107 €
IN	B57-0408	Sealing tape on roll 4 m	p. 326	23 €
IN	B57-0407	Tile adhesive protection tape 3300 x 120 mm	p. 327	32 €
IN	Z0008669	Wall Brackets	p. 327	39 €
IN	B57-0411	Minimum Support Flex for shower trays 35 mm	p. 324	56 €



BetteSimple Fix

PG	article no.	description	see	price
IN	B57-0434	6 BetteSimple Fix installation feet for showers with a side length > 900 mm	p. 315	125 €
IN	B57-0435	8 BetteSimple Fix installation feet for showers with both side lengths > 900 mm	p. 315	161 €

BetteFloor Side 900 mm - 1200 mm

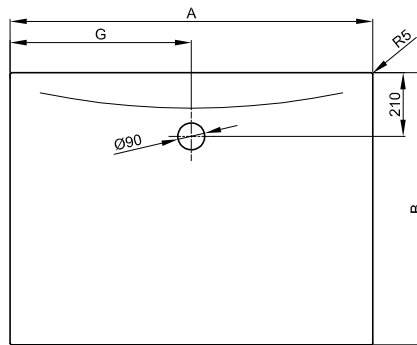


Illustration with pre-assembled Minimum support (T1).

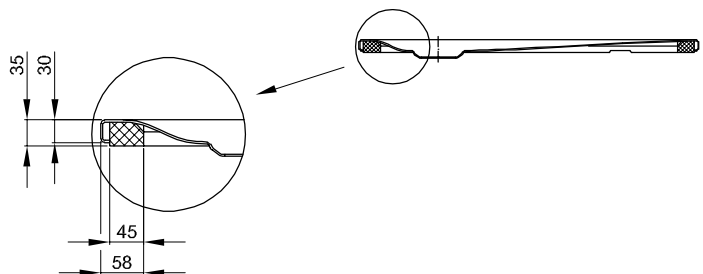


Illustration with pre-assembled Minimum support (T1).

Information

We recommend to install the shower area with the Minimum support (T1).

Scope of delivery

Including noise-reducing pads.

Design: Tesseraux + Partner

Installation height

Waste fittings	from
B568-	105 mm
B598-	118 mm
B597-	98 mm

Dimensions

article no.	dimensions in mm	A	B	G
3381	900 x 900	900	900	450
3388	1000 x 800	1000	800	500
3385	1000 x 900	1000	900	500
3382	1000 x 1000	1000	1000	500
3374	1100 x 800	1100	800	550
3396	1100 x 900	1100	900	550
3387	1200 x 800	1200	800	600
3380	1200 x 900	1200	900	600
3383	1200 x 1000	1200	1000	600
3391	1200 x 1200	1200	1200	600

Subject to alteration and production tolerance.

Dimensions

Further dimensions on the following pages.

PG	article no.	dimensions in mm	weight (net)	pcs/pallet	White 000 → cover	Key Colours → cover	Bespoke Colours → cover
ES	3381	900 x 900	25 kg	30	691 € ▲	691 €	860 €
ES	3388	1000 x 800	24.7 kg	30	794 €	794 €	963 €
ES	3385	1000 x 900	27.5 kg	30	794 € ▲	794 €	963 €
ES	3382	1000 x 1000	30.8 kg	30	794 € ▲	794 €	963 €
ES	3374	1100 x 800	26.7 kg	30	829 €	829 €	998 €
ES	3396	1100 x 900	26.6 kg	30	829 €	829 €	998 €
ES	3387	1200 x 800	29.2 kg	30	898 € ▲	898 €	1.067 €
ES	3380	1200 x 900	31.9 kg	30	898 € ▲	898 €	1.067 €
ES	3383	1200 x 1000	35.5 kg	15	898 € ▲	898 €	1.067 €
ES	3391	1200 x 1200	41 kg	15	967 € ▲	967 €	1.136 €

Extras

PG	code	description	see	price
EX	AS	BetteAnti-Slip Sense - class C ^{*1,2}	p. 259	165 €
EX	AE	BetteAnti-Slip Pro - class B ^{*1}	p. 258	165 €
EX	PLUS	BetteGlaze® Plus	p. 260	138 €
EX	T1	Minimum tray support (pre-assembled at factory) for showers	p. 263	68 €
EX	W	BetteSeal+	p. 262	189 €
EX		BetteUpstand	p. 264	from 367 €

*1 Not available with Glaze® Plus.

*2 Only available in combination with White (000).

Waste fittings

PG	article no.	description	see	Chrome 901	White and coloured → p. 290	White and coloured with Antislip Pro* White 000 with Anti-Slip Sense*
IN	B568-	BetteCompact+, side outlet - 0,5 l/s	p. 286	89 €	154 €	154 €
IN	B598-	BetteSolid 50, side outlet - 0,6 l/s	p. 286	163 €	217 €	217 €
IN	B597-	BetteSolid 30, side outlet - 0,6 l/s	p. 287	163 €	217 €	217 €

* Please also state code AY or AX, refer to page 5 for order information.

Accessories

PG	article no.	description	see	price
IN	B57-0370	Sealing System for rectangular shower trays	p. 325	107 €
IN	B57-0375	Sealing System onto wooden floor	p. 325	138 €
IN	B57-0371	Sealing System for Minimum Support	p. 325	107 €
IN	B57-0408	Sealing tape on roll 4 m	p. 326	23 €
IN	B57-0407	Tile adhesive protection tape 3300 x 120 mm	p. 327	32 €
IN	Z0008669	Wall Brackets	p. 327	39 €
IN	B57-0410	Minimum Support Flex for shower trays up to 25 mm & shower areas	p. 324	56 €



BetteSimple Fix

PG	article no.	description	see	price
IN	B57-0433	4 BetteSimple Fix installation feet for showers with both side lengths ≤ 900 mm	p. 315	89 €
IN	B57-0434	6 BetteSimple Fix installation feet for showers with a side length > 900 mm	p. 315	125 €
IN	B57-0435	8 BetteSimple Fix installation feet for showers with both side lengths > 900 mm	p. 315	161 €

BetteFloor Side 1300 mm - 1500 mm

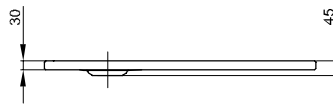
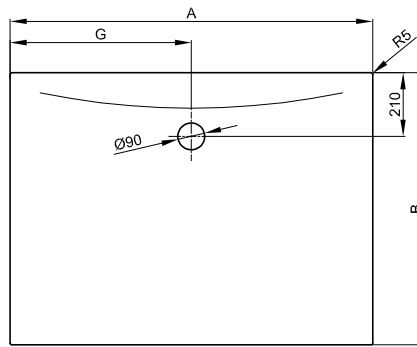


Illustration with pre-assembled Minimum support (T1).

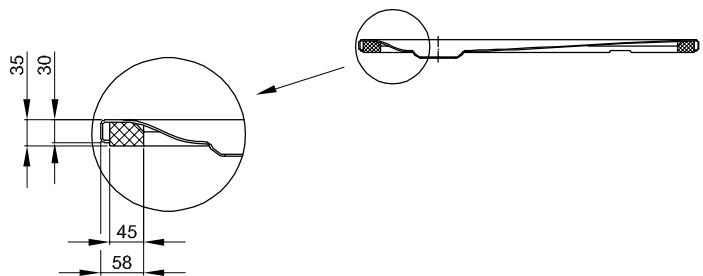


Illustration with pre-assembled Minimum support (T1).

Information

We recommend to install the shower area with the Minimum support (T1).

The dimensions 1400 x 1200 mm and 1500 x 1200 mm are not available with BetteUpstand.

Scope of delivery

Including noise-reducing pads.

Design: Tesseraux + Partner

Installation height

Waste fittings	from
B568-	105 mm
B598-	118 mm
B597-	98 mm

Dimensions

article no.	dimensions in mm	A	B	G
3398	1300 x 900	1300	900	650
3399	1300 x 1000	1300	1000	650
3379	1400 x 800	1400	800	700
3384	1400 x 900	1400	900	700
3386	1400 x 1000	1400	1000	700
3394	1400 x 1200	1400	1200	700
3393	1500 x 900	1500	900	750
3389	1500 x 1000	1500	1000	750
3395	1500 x 1200	1500	1200	750

Subject to alteration and production tolerance.

Dimensions

Further dimensions on the following pages.

PG	article no.	dimensions in mm	weight (net)	pcs/pallet	White 000 → cover	Key Colours → cover	Bespoke Colours → cover
ES	3398	1300 x 900	34.2 kg	15	967 €	967 €	1.136 €
ES	3399	1300 x 1000	36 kg	15	967 €	967 €	1.136 €
ES	3379	1400 x 800	33 kg	15	967 €	967 €	1.136 €
ES	3384	1400 x 900	36.4 kg	15	967 € ▲	967 €	1.136 €
ES	3386	1400 x 1000	39.9 kg	15	967 € ▲	967 €	1.136 €
ES	3394	1400 x 1200	42.15 kg	15	1.139 € ▲	1.139 €	1.308 €
ES	3393	1500 x 900	39.5 kg	15	1.036 €	1.036 €	1.205 €
ES	3389	1500 x 1000	39.5 kg	15	1.036 €	1.036 €	1.205 €
ES	3395	1500 x 1200	45.05 kg	15	1.139 €	1.139 €	1.308 €

Extras

PG	code	description	see	price
EX	AS	BetteAnti-Slip Sense - class C ^{*1,2}	p. 259	165 €
EX	AE	BetteAnti-Slip Pro - class B ^{*1}	p. 258	165 €
EX	PLUS	BetteGlaze® Plus	p. 260	138 €
EX	T1	Minimum tray support (pre-assembled at factory) for showers	p. 263	68 €
EX	W	BetteSeal+	p. 262	189 €
EX		BetteUpstand	p. 264	from 367 €

*1 Not available with Glaze® Plus.

*2 Only available in combination with White (000).

Waste fittings

PG	article no.	description	see	Chrome 901	White and coloured → p. 290	White and coloured with Antislip Pro* White 000 with Anti-Slip Sense*
IN	B568-	BetteCompact+, side outlet - 0,5 l/s	p. 286	89 €	154 €	154 €
IN	B598-	BetteSolid 50, side outlet - 0,6 l/s	p. 286	163 €	217 €	217 €
IN	B597-	BetteSolid 30, side outlet - 0,6 l/s	p. 287	163 €	217 €	217 €

* Please also state code AY or AX, refer to page 5 for order information.

Accessories

PG	article no.	description	see	price
IN	B57-0370	Sealing System for rectangular shower trays	p. 325	107 €
IN	B57-0375	Sealing System onto wooden floor	p. 325	138 €
IN	B57-0371	Sealing System for Minimum Support	p. 325	107 €
IN	B57-0408	Sealing tape on roll 4 m	p. 326	23 €
IN	B57-0407	Tile adhesive protection tape 3300 x 120 mm	p. 327	32 €
IN	Z0008669	Wall Brackets	p. 327	39 €
IN	B57-0410	Minimum Support Flex for shower trays up to 25 mm & shower areas	p. 324	56 €



BetteSimple Fix

PG	article no.	description	see	price
IN	B57-0434	6 BetteSimple Fix installation feet for showers with a side length > 900 mm	p. 315	125 €
IN	B57-0435	8 BetteSimple Fix installation feet for showers with both side lengths > 900 mm	p. 315	161 €

BetteFloor Side 1600 mm - 1800 mm

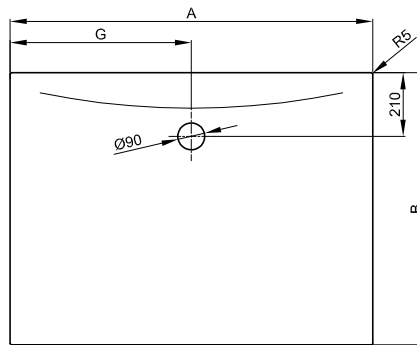


Illustration with pre-assembled Minimum support (T1).

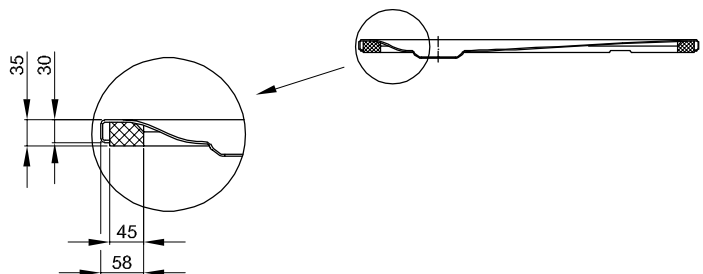


Illustration with pre-assembled Minimum support (T1).

Information

We recommend to install the shower area with the Minimum support (T1).

The dimensions 1600 x 1200 mm, 1800 x 900 mm and 1800 x 1000 mm are not available with BetteUpstand.

Scope of delivery

Including noise-reducing pads.

Design: Tesseraux + Partner

Installation height

Waste fittings	from
B568-	105 mm
B598-	118 mm
B597-	98 mm

Dimensions

article no.	dimensions in mm	A	B	G
3375	1600 x 800	1600	800	800
3390	1600 x 900	1600	900	800
3397	1600 x 1000	1600	1000	800
3392	1600 x 1200	1600	1200	800
3376	1700 x 900	1700	900	850
3377	1800 x 900	1800	900	900
3378	1800 x 1000	1800	1000	900

Dimensions

PG	article no.	dimensions in mm	weight (net)	pcs/pallet	White 000 → cover	Key Colours → cover	Bespoke Colours → cover
ES	3375	1600 x 800	37.8 kg	15	1.036 €	1.036 €	1.205 €
ES	3390	1600 x 900	41.9 kg	15	1.036 €	1.036 €	1.205 €
ES	3397	1600 x 1000	41.8 kg	15	1.076 € ▲	1.076 €	1.245 €
ES	3392	1600 x 1200	51.8 kg	15	1.183 €	1.183 €	1.352 €
ES	3376	1700 x 900	43.4 kg	15	1.036 €	1.036 €	1.205 €
ES	3377	1800 x 900	45.4 kg	15	1.076 €	1.076 €	1.245 €
ES	3378	1800 x 1000	49.9 kg	15	1.076 €	1.076 €	1.245 €

Extras

PG	code	description	see	price
EX	AS	BetteAnti-Slip Sense - class C ^{*1,2}	p. 259	165 €
EX	AE	BetteAnti-Slip Pro - class B ^{*1}	p. 258	165 €
EX	PLUS	BetteGlaze® Plus	p. 260	138 €
EX	T1	Minimum tray support (pre-assembled at factory) for showers	p. 263	68 €
EX	W	BetteSeal+	p. 262	189 €
EX		BetteUpstand	p. 264	from 367 €

*1 Not available with Glaze® Plus.

*2 Only available in combination with White (000).

Waste fittings

PG	article no.	description	see	Chrome 901	White and coloured → p. 290	White and coloured with Antislip Pro* White 000 with Anti-Slip Sense*
IN	B568-	BetteCompact+, side outlet - 0,5 l/s	p. 286	89 €	154 €	154 €
IN	B598-	BetteSolid 50, side outlet - 0,6 l/s	p. 286	163 €	217 €	217 €
IN	B597-	BetteSolid 30, side outlet - 0,6 l/s	p. 287	163 €	217 €	217 €

* Please also state code AY or AX, refer to page 5 for order information.

Accessories

PG	article no.	description	see	price
IN	B57-0370	Sealing System for rectangular shower trays	p. 325	107 €
IN	B57-0375	Sealing System onto wooden floor	p. 325	138 €
IN	B57-0371	Sealing System for Minimum Support	p. 325	107 €
IN	B57-0408	Sealing tape on roll 4 m	p. 326	23 €
IN	B57-0407	Tile adhesive protection tape 3300 x 120 mm	p. 327	32 €
IN	Z0008669	Wall Brackets	p. 327	39 €
IN	B57-0410	Minimum Support Flex for shower trays up to 25 mm & shower areas	p. 324	56 €



BetteSimple Fix

PG	article no.	description	see	price
IN	B57-0434	6 BetteSimple Fix installation feet for showers with a side length > 900 mm	p. 315	125 €
IN	B57-0435	8 BetteSimple Fix installation feet for showers with both side lengths > 900 mm	p. 315	161 €

BetteFloor 800 mm - 1000 mm

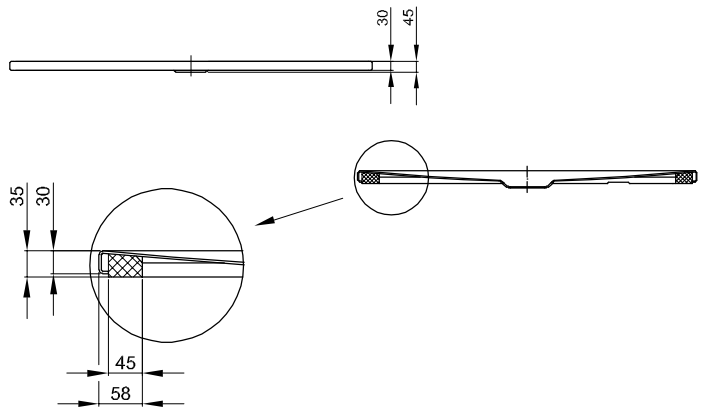
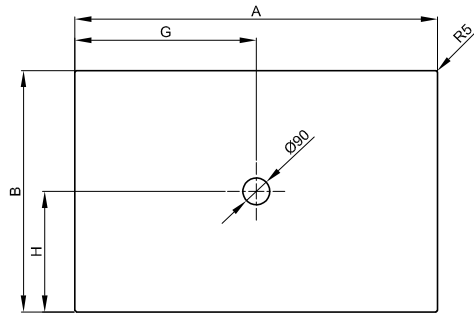


Illustration with pre-assembled Minimum support (T1).

Illustration with pre-assembled Minimum support (T1).

Information

We recommend to install the shower area with the Minimum support (T1).

Scope of delivery

Including noise-reducing pads.

Installation height

Waste fittings	from
B568-	105 mm
B598-	118 mm
B597-	98 mm

Dimensions

article no.	dimensions in mm	A	B	G	H
5831	800 x 800	800	800	400	400
5711	900 x 700	900	700	450	350
5841	900 x 750	900	750	450	375
8751	900 x 800	900	800	450	400
5931	900 x 900	900	900	450	450
5881	1000 x 700	1000	700	500	350
1651	1000 x 750	1000	750	500	375
5491	1000 x 800	1000	800	500	400
1661	1000 x 900	1000	900	500	450
5941	1000 x 1000	1000	1000	500	500

Subject to alteration and production tolerance.

Dimensions

Further dimensions on the following pages.

PG	article no.	dimensions in mm	weight (net)	pcs/pallet	White 000 → cover	Key Colours → cover	Bespoke Colours → cover
ES	5831	800 × 800	20.4 kg	30	664 € ▲	664 €	833 €
ES	5711	900 × 700	20.2 kg	30	664 €	664 €	833 €
ES	5841	900 × 750	21.6 kg	30	664 €	664 €	833 €
ES	8751	900 × 800	22.5 kg	30	664 € ▲	664 €	833 €
ES	5931	900 × 900	25 kg	30	664 € ▲	664 €	833 €
ES	5881	1000 × 700	22.3 kg	30	764 €	764 €	933 €
ES	1651	1000 × 750	23.2 kg	30	764 €	764 €	933 €
ES	5491	1000 × 800	24.7 kg	30	764 € ▲	764 €	933 €
ES	1661	1000 × 900	27.5 kg	30	764 € ▲	764 €	933 €
ES	5941	1000 × 1000	30.8 kg	30	764 € ▲	764 €	933 €

Extras

PG	code	description	see	price
EX	AS	BetteAnti-Slip Sense - class C ^{*1,2}	p. 259	165 €
EX	AE	BetteAnti-Slip Pro - class B ^{*1}	p. 258	165 €
EX	PLUS	BetteGlaze® Plus	p. 260	138 €
EX	T1	Minimum tray support (pre-assembled at factory) for showers	p. 263	68 €
EX	W	BetteSeal+	p. 262	189 €

*1 Not available with Glaze® Plus.

*2 Only available in combination with White (000).

Waste fittings

PG	article no.	description	see	Chrome 901	White and coloured → p. 290	White and coloured with Antislip Pro* White 000 with Anti-Slip Sense*
IN	B568-	BetteCompact+, side outlet - 0,5 l/s	p. 286	89 €	154 €	154 €
IN	B598-	BetteSolid 50, side outlet - 0,6 l/s	p. 286	163 €	217 €	217 €
IN	B597-	BetteSolid 30, side outlet - 0,6 l/s	p. 287	163 €	217 €	217 €

* Please also state code AY or AX, refer to page 5 for order information.

Accessories

PG	article no.	description	see	price
IN	B57-0375	Sealing System onto wooden floor	p. 325	138 €
IN	B57-0370	Sealing System for rectangular shower trays	p. 325	107 €
IN	B57-0371	Sealing System for Minimum Support	p. 325	107 €
IN	B57-0408	Sealing tape on roll 4 m	p. 326	23 €
IN	B57-0407	Tile adhesive protection tape 3300 × 120 mm	p. 327	32 €
IN	Z0008669	Wall Brackets	p. 327	39 €
IN	B57-0410	Minimum Support Flex for shower trays up to 25 mm & shower areas	p. 324	56 €



BetteSimple Fix

PG	article no.	description	see	price
IN	B57-0433	4 BetteSimple Fix installation feet for showers with both side lengths ≤ 900 mm	p. 315	89 €
IN	B57-0434	6 BetteSimple Fix installation feet for showers with a side length > 900 mm	p. 315	125 €
IN	B57-0435	8 BetteSimple Fix installation feet for showers with both side lengths > 900 mm	p. 315	161 €

BetteFloor 1100 mm - 1200 mm

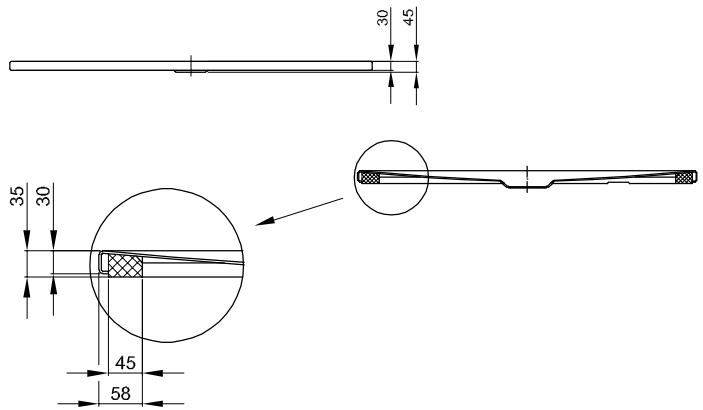
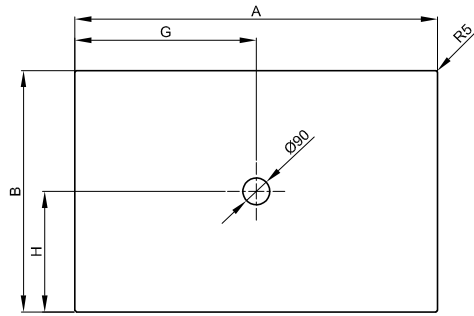


Illustration with pre-assembled Minimum support (T1).

Illustration with pre-assembled Minimum support (T1).

Information

We recommend to install the shower area with the Minimum support (T1).

Scope of delivery

Including noise-reducing pads.

Installation height

Waste fittings	from
B568-	105 mm
B598-	118 mm
B597-	98 mm

Dimensions

article no.	dimensions in mm	A	B	G	H
8732	1100 x 750	1100	750	550	375
8731	1100 x 800	1100	800	550	400
8631	1100 x 900	1100	900	550	450
8735	1100 x 1000	1100	1000	550	500
1672	1200 x 700	1200	700	600	350
1671	1200 x 750	1200	750	600	375
1681	1200 x 800	1200	800	600	400
1261	1200 x 900	1200	900	600	450
8661	1200 x 1000	1200	1000	600	500
8721	1200 x 1200	1200	1200	600	600

Subject to alteration and production tolerance.

Dimensions

Further dimensions on the following pages.

PG	article no.	dimensions in mm	weight (net)	pcs/pallet	White 000 → cover	Key Colours → cover	Bespoke Colours → cover
ES	8732	1100 x 750	22.75 kg	30	797 €	797 €	966 €
ES	8731	1100 x 800	26.7 kg	30	797 € ▲	797 €	966 €
ES	8631	1100 x 900	29.8 kg	30	797 € ▲	797 €	966 €
ES	8735	1100 x 1000	29.5 kg	30	797 €	797 €	966 €
ES	1672	1200 x 700	22.5 kg	30	898 €	898 €	1.067 €
ES	1671	1200 x 750	27.2 kg	30	898 €	898 €	1.067 €
ES	1681	1200 x 800	29.2 kg	30	898 € ▲	898 €	1.067 €
ES	1261	1200 x 900	31.9 kg	30	898 € ▲	898 €	1.067 €
ES	8661	1200 x 1000	35.5 kg	15	898 € ▲	898 €	1.067 €
ES	8721	1200 x 1200	41 kg	15	898 € ▲	898 €	1.067 €

Extras

PG	code	description	see	price
EX	AS	BetteAnti-Slip Sense - class C ^{*1,2}	p. 259	165 €
EX	AE	BetteAnti-Slip Pro - class B ^{*1}	p. 258	165 €
EX	PLUS	BetteGlaze® Plus	p. 260	138 €
EX	T1	Minimum tray support (pre-assembled at factory) for showers	p. 263	68 €
EX	W	BetteSeal+	p. 262	189 €

*1 Not available with Glaze® Plus.

*2 Only available in combination with White (000).

Waste fittings

PG	article no.	description	see	Chrome 901	White and coloured → p. 290	White and coloured with Antislip Pro* White 000 with Anti-Slip Sense*
IN	B568-	BetteCompact+, side outlet - 0,5 l/s	p. 286	89 €	154 €	154 €
IN	B598-	BetteSolid 50, side outlet - 0,6 l/s	p. 286	163 €	217 €	217 €
IN	B597-	BetteSolid 30, side outlet - 0,6 l/s	p. 287	163 €	217 €	217 €

* Please also state code AY or AX, refer to page 5 for order information.

Accessories

PG	article no.	description	see	price
IN	B57-0375	Sealing System onto wooden floor	p. 325	138 €
IN	B57-0370	Sealing System for rectangular shower trays	p. 325	107 €
IN	B57-0371	Sealing System for Minimum Support	p. 325	107 €
IN	B57-0408	Sealing tape on roll 4 m	p. 326	23 €
IN	B57-0407	Tile adhesive protection tape 3300 x 120 mm	p. 327	32 €
IN	Z0008669	Wall Brackets	p. 327	39 €
IN	B57-0410	Minimum Support Flex for shower trays up to 25 mm & shower areas	p. 324	56 €



BetteSimple Fix

PG	article no.	description	see	price
IN	B57-0434	6 BetteSimple Fix installation feet for showers with a side length > 900 mm	p. 315	125 €
IN	B57-0435	8 BetteSimple Fix installation feet for showers with both side lengths > 900 mm	p. 315	161 €

BetteFloor 1300 mm - 1500 mm

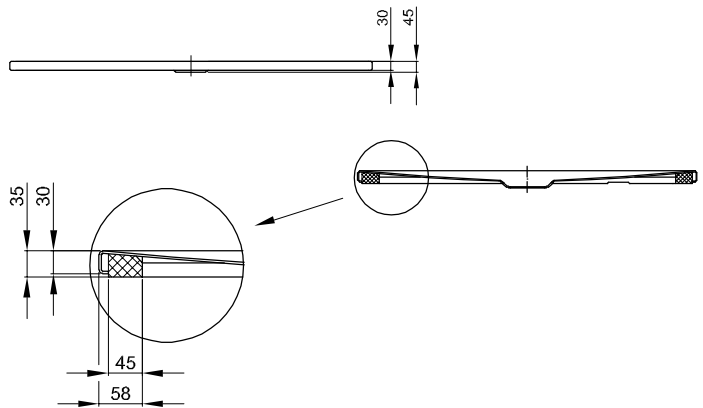
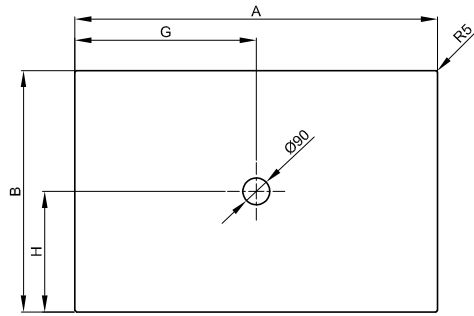


Illustration with pre-assembled Minimum support (T1).

Illustration with pre-assembled Minimum support (T1).

Information

We recommend to install the shower area with the Minimum support (T1).

Scope of delivery

Including noise-reducing pads.

Installation height

Waste fittings	from
B568-	105 mm
B598-	118 mm
B597-	98 mm

Dimensions

article no.	dimensions in mm	A	B	G	H
5797	1300 x 750	1300	750	650	375
5793	1300 x 800	1300	800	650	400
5791	1300 x 900	1300	900	650	450
5794	1300 x 1000	1300	1000	650	500
5803	1400 x 700	1400	700	700	350
5802	1400 x 750	1400	750	700	375
5801	1400 x 800	1400	800	700	400
5836	1400 x 900	1400	900	700	450
5851	1400 x 1000	1400	1000	700	500
5938	1500 x 700	1500	700	750	350
5939	1500 x 750	1500	750	750	375
5937	1500 x 800	1500	800	750	400
5936	1500 x 900	1500	900	750	450
5946	1500 x 1000	1500	1000	750	500

Subject to alteration and production tolerance.

Dimensions

Further dimensions on the following pages.

PG	article no.	dimensions in mm	weight (net)	pcs/pallet	White 000 → cover	Key Colours → cover	Bespoke Colours → cover
ES	5797	1300 x 750	28.5 kg	15	898 €	898 €	1.067 €
ES	5793	1300 x 800	30.9 kg	15	898 €	898 €	1.067 €
ES	5791	1300 x 900	34.2 kg	15	898 € ▲	898 €	1.067 €
ES	5794	1300 x 1000	38.4 kg	15	898 €	898 €	1.067 €
ES	5803	1400 x 700	27 kg	15	898 €	898 €	1.067 €
ES	5802	1400 x 750	31.2 kg	15	898 €	898 €	1.067 €
ES	5801	1400 x 800	33 kg	15	898 €	898 €	1.067 €
ES	5836	1400 x 900	36.4 kg	15	932 € ▲	932 €	1.101 €
ES	5851	1400 x 1000	39.9 kg	15	932 € ▲	932 €	1.101 €
ES	5938	1500 x 700	28.5 kg	15	932 €	932 €	1.101 €
ES	5939	1500 x 750	30 kg	15	932 €	932 €	1.101 €
ES	5937	1500 x 800	35 kg	15	932 €	932 €	1.101 €
ES	5936	1500 x 900	39.5 kg	15	932 €	932 €	1.101 €
ES	5946	1500 x 1000	39.5 kg	15	932 €	932 €	1.101 €

Extras

PG	code	description	see	price
EX	AS	BetteAnti-Slip Sense - class C* ^{1,2}	p. 259	165 €
EX	AE	BetteAnti-Slip Pro - class B* ¹	p. 258	165 €
EX	PLUS	BetteGlaze® Plus	p. 260	138 €
EX	T1	Minimum tray support (pre-assembled at factory) for showers	p. 263	68 €
EX	W	BetteSeal+	p. 262	189 €

*1 Not available with Glaze® Plus.

*2 Only available in combination with White (000).

Waste fittings

PG	article no.	description	see	Chrome 901	White and coloured → p. 290	White and coloured with Antislip Pro* White 000 with Anti-Slip Sense*
IN	B568-	BetteCompact+, side outlet - 0,5 l/s	p. 286	89 €	154 €	154 €
IN	B598-	BetteSolid 50, side outlet - 0,6 l/s	p. 286	163 €	217 €	217 €
IN	B597-	BetteSolid 30, side outlet - 0,6 l/s	p. 287	163 €	217 €	217 €

* Please also state code AY or AX, refer to page 5 for order Information.

Accessories

PG	article no.	description	see	price
IN	B57-0375	Sealing System onto wooden floor	p. 325	138 €
IN	B57-0370	Sealing System for rectangular shower trays	p. 325	107 €
IN	B57-0371	Sealing System for Minimum Support	p. 325	107 €
IN	B57-0408	Sealing tape on roll 4 m	p. 326	23 €
IN	B57-0407	Tile adhesive protection tape 3300 x 120 mm	p. 327	32 €
IN	Z0008669	Wall Brackets	p. 327	39 €
IN	B57-0410	Minimum Support Flex for shower trays up to 25 mm & shower areas	p. 324	56 €



BetteSimple Fix

PG	article no.	description	see	price
IN	B57-0434	6 BetteSimple Fix installation feet for showers with a side length > 900 mm	p. 315	125 €
IN	B57-0435	8 BetteSimple Fix installation feet for showers with both side lengths > 900 mm	p. 315	161 €

BetteFloor 1600 mm - 1800 mm

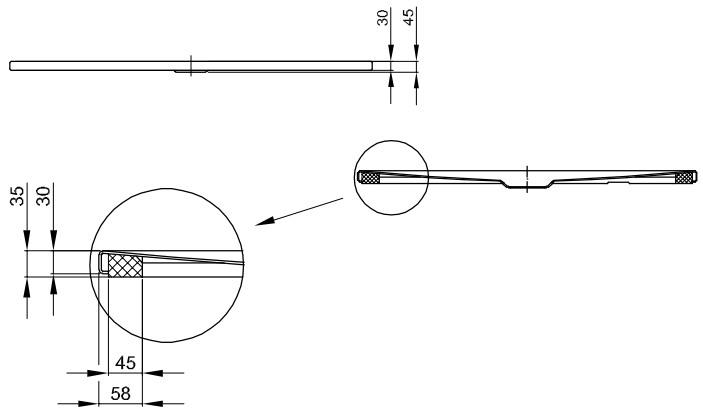
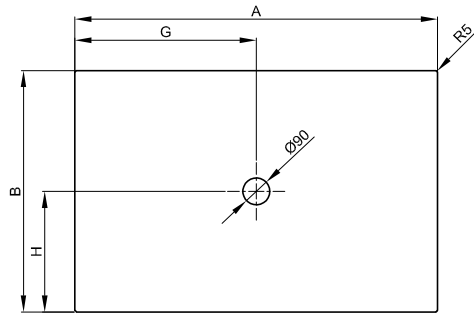


Illustration with pre-assembled Minimum support (T1).

Illustration with pre-assembled Minimum support (T1).

Information

We recommend to install the shower area with the Minimum support (T1).

Scope of delivery

Including noise-reducing pads.

Installation height

Waste fittings	from
B568-	105 mm
B598-	118 mm
B597-	98 mm

Dimensions

article no.	dimensions in mm	A	B	G	H
5948	1600 x 700	1600	700	800	350
5949	1600 x 750	1600	750	800	375
5957	1600 x 800	1600	800	800	400
5966	1600 x 900	1600	900	800	450
5969	1600 x 1000	1600	1000	800	500
5994	1700 x 750	1700	750	850	375
5989	1700 x 800	1700	800	850	400
5991	1700 x 900	1700	900	850	450
5817	1700 x 1000	1700	1000	850	500
5981	1800 x 800	1800	800	900	400
5988	1800 x 900	1800	900	900	450
5818	1800 x 1000	1800	1000	900	500

Subject to alteration and production tolerance.

Dimensions

PG	article no.	dimensions in mm	weight (net)	pcs/pallet	White 000	Key Colours	Bespoke Colours
					→ cover	→ cover	→ cover
ES	5948	1600 x 700	30 kg	15	932 €	932 €	1.101 €
ES	5949	1600 x 750	35 kg	15	932 €	932 €	1.101 €
ES	5957	1600 x 800	37,8 kg	15	932 €	932 €	1.101 €
ES	5966	1600 x 900	41,9 kg	15	932 € ▲	932 €	1.101 €
ES	5969	1600 x 1000	45,6 kg	15	968 € ▲	968 €	1.137 €
ES	5994	1700 x 750	34,5 kg	15	932 €	932 €	1.101 €
ES	5989	1700 x 800	39,3 kg	15	967 €	967 €	1.136 €
ES	5991	1700 x 900	43,4 kg	15	967 €	967 €	1.136 €
ES	5817	1700 x 1000	46,5 kg	15	1.004 €	1.004 €	1.173 €
ES	5981	1800 x 800	38,8 kg	15	1.004 €	1.004 €	1.173 €
ES	5988	1800 x 900	45,4 kg	15	1.004 €	1.004 €	1.173 €
ES	5818	1800 x 1000	49,9 kg	15	1.040 €	1.040 €	1.209 €

Extras

PG	code	description	see	price
EX	AS	BetteAnti-Slip Sense - class C ^{*1,2}	p. 259	165 €
EX	AE	BetteAnti-Slip Pro - class B ^{*1}	p. 258	165 €
EX	PLUS	BetteGlaze® Plus	p. 260	138 €
EX	T1	Minimum tray support (pre-assembled at factory) for showers	p. 263	68 €
EX	W	BetteSeal+	p. 262	189 €

*1 Not available with Glaze® Plus.

*2 Only available in combination with White (000).

Waste fittings

PG	article no.	description	see	Chrome 901	White and coloured	White and coloured
					→ p. 290	with Antislip Pro* White 000 with Anti-Slip Sense*
IN	B568-	BetteCompact+, side outlet - 0,5 l/s	p. 286	89 €	154 €	154 €
IN	B598-	BetteSolid 50, side outlet - 0,6 l/s	p. 286	163 €	217 €	217 €
IN	B597-	BetteSolid 30, side outlet - 0,6 l/s	p. 287	163 €	217 €	217 €

* Please also state code AY or AX, refer to page 5 for order information.

Accessories

PG	article no.	description	see	price
IN	B57-0375	Sealing System onto wooden floor	p. 325	138 €
IN	B57-0370	Sealing System for rectangular shower trays	p. 325	107 €
IN	B57-0371	Sealing System for Minimum Support	p. 325	107 €
IN	B57-0408	Sealing tape on roll 4 m	p. 326	23 €
IN	B57-0407	Tile adhesive protection tape 3300 x 120 mm	p. 327	32 €
IN	Z0008669	Wall Brackets	p. 327	39 €
IN	B57-0410	Minimum Support Flex for shower trays up to 25 mm & shower areas	p. 324	56 €



BetteSimple Fix

PG	article no.	description	see	price
IN	B57-0434	6 BetteSimple Fix installation feet for showers with a side length > 900 mm	p. 315	125 €
IN	B57-0435	8 BetteSimple Fix installation feet for showers with both side lengths > 900 mm	p. 315	161 €

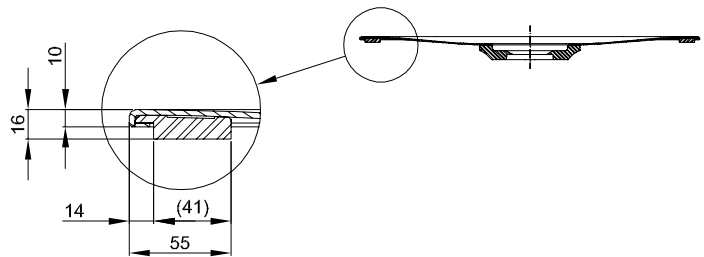
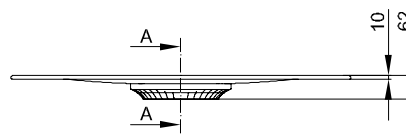
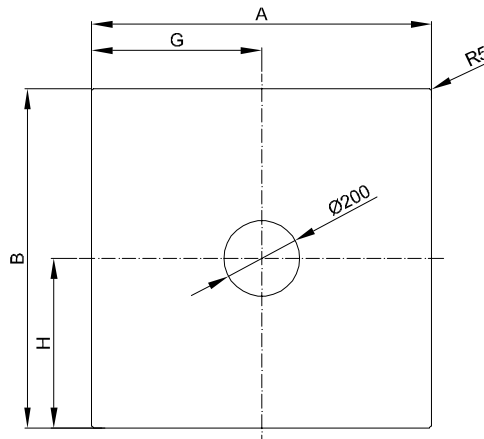
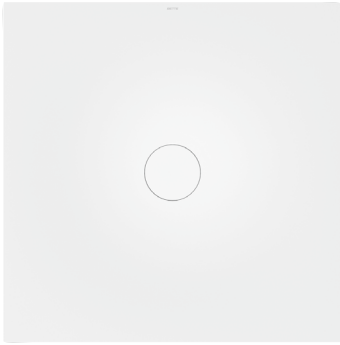


Illustration with pre-assembled Minimum support (T2).

Scope of delivery

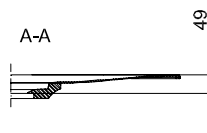
Including sound-reducing separating foil.

Design: Tesseraux + Partner

Illustration with pre-assembled Minimum support (T2).

Installation height

Waste fittings	from
B525-	117 mm
B524-	97 mm
B599-	67 mm



Dimensions

article no.	dimensions in mm	A	B	G	H
7350	900 x 900	900	900	450	450
7358	1000 x 800	1000	800	500	400
7351	1000 x 900	1000	900	500	450
7352	1000 x 1000	1000	1000	500	500
7359	1100 x 900	1100	900	550	450
7360	1100 x 1000	1100	1000	550	500
7353	1200 x 800	1200	800	600	400
7354	1200 x 900	1200	900	600	450
7355	1200 x 1000	1200	1000	600	500
7361	1200 x 1200	1200	1200	600	600
7356	1400 x 900	1400	900	700	450
7357	1400 x 1000	1400	1000	700	500
7362	1500 x 900	1500	900	750	450
7363	1500 x 1000	1500	1000	750	500
7364	1600 x 900	1600	900	800	450
7365	1600 x 1000	1600	1000	800	500

Dimensions

PG	article no.	dimensions in mm	weight (net)	pcs/pallet	White 000	Key Colours	Bespoke Colours
					→ cover	→ cover	→ cover
ES	7350	900 x 900	22.4 kg	9	770 €	770 €	939 €
ES	7358	1000 x 800	22.1 kg	9	886 €	886 €	1.055 €
ES	7351	1000 x 900	24.7 kg	9	886 €	886 €	1.055 €
ES	7352	1000 x 1000	27.1 kg	9	886 €	886 €	1.055 €
ES	7359	1100 x 900	26.8 kg	9	924 €	924 €	1.093 €
ES	7360	1100 x 1000	29.5 kg	9	924 €	924 €	1.093 €
ES	7353	1200 x 800	26.1 kg	9	1.001 €	1.001 €	1.170 €
ES	7354	1200 x 900	29 kg	9	1.001 €	1.001 €	1.170 €
ES	7355	1200 x 1000	32 kg	9	1.001 €	1.001 €	1.170 €
ES	7361	1200 x 1200	37.7 kg	9	1.070 €	1.070 €	1.239 €
ES	7356	1400 x 900	33.5 kg	9	1.070 €	1.070 €	1.239 €
ES	7357	1400 x 1000	36.9 kg	9	1.070 €	1.070 €	1.239 €
ES	7362	1500 x 900	35.5 kg	9	1.070 €	1.070 €	1.239 €
ES	7363	1500 x 1000	39.2 kg	9	1.139 €	1.139 €	1.308 €
ES	7364	1600 x 900	37.8 kg	9	1.139 €	1.139 €	1.308 €
ES	7365	1600 x 1000	41.7 kg	9	1.183 €	1.183 €	1.352 €

Extras

PG	code	description	see	price
EX	AS	BetteAnti-Slip Sense - class C ^{*12}	p. 259	165 €
EX	AE	BetteAnti-Slip Pro - class B ^{*1}	p. 258	165 €
EX	PLUS	BetteGlaze® Plus	p. 260	138 €
EX	T2	Minimum support (pre-assembled at factory) for BetteAir	p. 263	68 €

*1 Not available with Glaze® Plus.

*2 Only available in combination with White (000).

Waste fittings

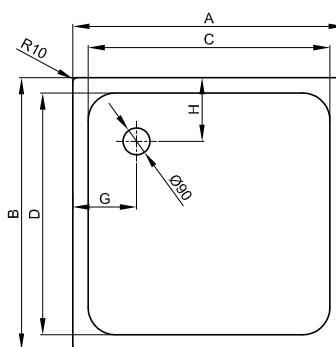
PG	article no.	description	see	White 000	coloured	White and coloured with Antislip Pro* White 000 with Anti-Slip Sense*
					→ p. 291	
IN	B525-	BetteAir 50, side outlet - 0,6 l/s	p. 288	257 €	257 €	257 €
IN	B524-	BetteAir 30, side outlet - 0,6 l/s	p. 288	257 €	257 €	257 €
IN	B599-	BetteAir Down, vertical outlet - 0,6 l/s	p. 288	266 €	266 €	266 €

* Please also state code AY or AX, refer to page 5 for order Information.

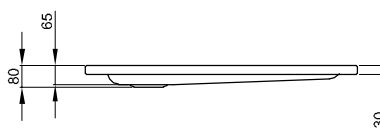
Accessories

PG	article no.	description	see	price
IN	B57-0401	Installation Box BetteAir	p. 306	265 €

BetteSupra 700 mm - 900 mm



Shower trays < 1000 mm



Information

We recommend to combine the shower area with the BetteSimple Fix installation feet, installation height: 60 - 170 mm or the Foot-System, installation height: 80 - 200 mm.

Scope of delivery

Including noise-reducing pads.

Installation height

Waste fittings	from
B568-	140 mm
B598-	153 mm
B597-	133 mm

Dimensions

article no.	dimensions in mm	A	B	C	D	G	H
5720	700 × 700 × 65	700	700	600	600	210	210
5360	750 × 700 × 65	750	700	600	600	235	210
5530	750 × 750 × 65	750	750	650	650	210	210
5680	800 × 700 × 65	800	700	700	600	210	210
5670	800 × 750 × 65	800	750	700	650	210	210
5820	800 × 800 × 65	800	800	700	700	210	210
5780	850 × 700 × 65	850	700	700	600	235	210
1570	850 × 750 × 65	850	750	700	650	235	210
1590	850 × 850 × 65	850	850	700	700	235	235
8610	900 × 600 × 65	900	600	800	500	210	210
5710	900 × 700 × 65	900	700	800	600	210	210
5770	900 × 750 × 65	900	750	800	650	210	210
5970	900 × 800 × 65	900	800	800	700	210	210
1560	900 × 850 × 65	900	850	800	700	210	235
5920	900 × 900 × 65	900	900	800	800	210	210

Subject to alteration and production tolerance.

Dimensions

Further dimensions on the following pages.

PG	article no.	dimensions in mm	weight (net)	pcs/pallet	White 000 → cover	Key Colours → cover	Bespoke Colours → cover
ES	5720	700 x 700 x 65	11.8 kg	40	519 €	519 €	688 €
ES	5360	750 x 700 x 65	12.7 kg	40	519 €	519 €	688 €
ES	5530	750 x 750 x 65	13.6 kg	40	519 € ▲	519 €	688 €
ES	5680	800 x 700 x 65	13.6 kg	40	519 € ▲	519 €	688 €
ES	5670	800 x 750 x 65	14.6 kg	40	519 € ▲	519 €	688 €
ES	5820	800 x 800 x 65	15.4 kg	40	519 € ▲	519 €	688 €
ES	5780	850 x 700 x 65	14.4 kg	40	519 €	519 €	688 €
ES	1570	850 x 750 x 65	15.4 kg	40	519 €	519 €	688 €
ES	1590	850 x 850 x 65	17.4 kg	40	519 €	519 €	688 €
ES	8610	900 x 600 x 65	13.6 kg	40	519 €	519 €	688 €
ES	5710	900 x 700 x 65	15.2 kg	40	519 € ▲	519 €	688 €
ES	5770	900 x 750 x 65	16 kg	40	519 € ▲	519 €	688 €
ES	5970	900 x 800 x 65	17 kg	40	519 € ▲	519 €	688 €
ES	1560	900 x 850 x 65	18 kg	40	519 € ▲	519 €	688 €
ES	5920	900 x 900 x 65	19.2 kg	40	519 € ▲	519 €	688 €

Extras

PG	code	description	see	price
EX	AS	BetteAnti-Slip Sense - class C* ^{1,2}	p. 259	165 €
EX	AE	BetteAnti-Slip Pro - class B* ¹	p. 258	165 €
EX	PLUS	BetteGlaze® Plus	p. 260	138 €
EX		BetteUpstand	p. 264	from 367 €
EX		Special size	p. 270	350 €
EX		Profi Corner	p. 268	from 350 €

*¹ Not available with Glaze® Plus.

*² Only available in combination with White (000).

Waste fittings

PG	article no.	description	see	Chrome 901	White and coloured → p. 290	White and coloured with Antislip Pro* White 000 with Anti-Slip Sense*
IN	B568-	BetteCompact+, side outlet - 0,5 l/s	p. 286	89 €	154 €	154 €
IN	B598-	BetteSolid 50, side outlet - 0,6 l/s	p. 286	163 €	217 €	217 €
IN	B597-	BetteSolid 30, side outlet - 0,6 l/s	p. 287	163 €	217 €	217 €

* Please also state code AY or AX, refer to page 5 for order information.

Accessories

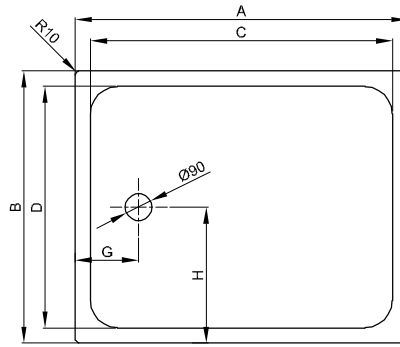
PG	article no.	description	see	price
IN	B57-0370	Sealing System for rectangular shower trays	p. 325	107 €
IN	B57-0408	Sealing tape on roll 4 m	p. 326	23 €
IN	B57-0407	Tile adhesive protection tape 3300 x 120 mm	p. 327	32 €



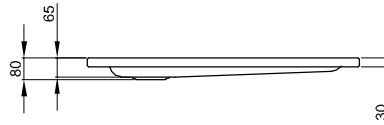
BetteSimple Fix

PG	article no.	description	see	price
IN	B57-0433	4 BetteSimple Fix installation feet for showers with both side lengths ≤ 900 mm	p. 315	89 €

BetteSupra 1000 mm - 1100 mm



Shower trays \geq 1000 mm



Information

We recommend to combine the shower area with the BetteSimple Fix installation feet, installation height: 60 - 170 mm or the Foot-System, installation height: 80 - 200 mm.

Scope of delivery

Including noise-reducing pads.

Installation height

Waste fittings	from
B568-	140 mm
B598-	153 mm
B597-	133 mm

Dimensions

article no.	dimensions in mm	A	B	C	D	G	H
5880	1000 x 700 x 65	1000	700	900	600	210	350
5550	1000 x 750 x 65	1000	750	900	650	210	375
5520	1000 x 800 x 65	1000	800	900	700	210	400
5380	1000 x 900 x 65	1000	900	900	800	210	450
5620	1000 x 1000 x 65	1000	1000	900	900	210	500
8690	1050 x 750 x 65	1050	750	900	650	235	375
8726	1100 x 700 x 65	1100	700	1000	600	210	350
8728	1100 x 750 x 65	1100	750	1000	650	210	375
8730	1100 x 800 x 65	1100	800	900	700	260	400
8640	1100 x 900 x 65	1100	900	1000	800	210	450
8738	1100 x 1000 x 65	1100	1000	1000	900	210	500
8744	1100 x 1100 x 65	1100	1100	1000	1000	210	550

Subject to alteration and production tolerance.

Dimensions

Further dimensions on the following pages.

PG	article no.	dimensions in mm	weight (net)	pcs/pallet	White 000	Key Colours	Bespoke Colours
					→ cover	→ cover	→ cover
ES	5880	1000 x 700 x 65	171 kg	40	622 € ▲	622 €	791 €
ES	5550	1000 x 750 x 65	16.7 kg	40	622 € ▲	622 €	791 €
ES	5520	1000 x 800 x 65	19.1 kg	40	622 € ▲	622 €	791 €
ES	5380	1000 x 900 x 65	21.8 kg	40	622 € ▲	622 €	791 €
ES	5620	1000 x 1000 x 65	24.7 kg	40	622 € ▲	622 €	791 €
ES	8690	1050 x 750 x 65	19 kg	40	649 €	649 €	818 €
ES	8726	1100 x 700 x 65	17.5 kg	40	649 €	649 €	818 €
ES	8728	1100 x 750 x 65	19.5 kg	40	649 € ▲	649 €	818 €
ES	8730	1100 x 800 x 65	20.9 kg	40	649 € ▲	649 €	818 €
ES	8640	1100 x 900 x 65	23.4 kg	40	649 € ▲	649 €	818 €
ES	8738	1100 x 1000 x 65	25 kg	40	675 €	675 €	844 €
ES	8744	1100 x 1100 x 65	28 kg	40	675 €	675 €	844 €

Extras

PG	code	description	see	price
EX	AS	BetteAnti-Slip Sense - class C ^{*1,2}	p. 259	165 €
EX	AE	BetteAnti-Slip Pro - class B ^{*1}	p. 258	165 €
EX	PLUS	BetteGlaze® Plus	p. 260	138 €
EX		BetteUpstand	p. 264	from 367 €
EX		Special size	p. 270	350 €
EX		Profi Corner	p. 268	from 350 €

*1 Not available with Glaze® Plus.

*2 Only available in combination with White (000).

Waste fittings

PG	article no.	description	see	Chrome 901	White and coloured	White and coloured	White and coloured
					→ p. 290	with Antislip Pro* White 000 with Anti-Slip Sense*	with Antislip Pro* White 000 with Anti-Slip Sense*
IN	B568-	BetteCompact+, side outlet - 0,5 l/s	p. 286	89 €	154 €		154 €
IN	B598-	BetteSolid 50, side outlet - 0,6 l/s	p. 286	163 €	217 €		217 €
IN	B597-	BetteSolid 30, side outlet - 0,6 l/s	p. 287	163 €	217 €		217 €

* Please also state code AY or AX, refer to page 5 for order information.

Accessories

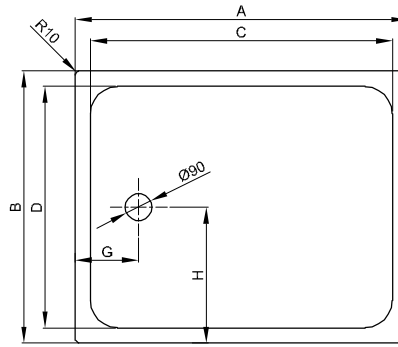
PG	article no.	description	see	price
IN	B57-0370	Sealing System for rectangular shower trays	p. 325	107 €
IN	B57-0408	Sealing tape on roll 4 m	p. 326	23 €
IN	B57-0407	Tile adhesive protection tape 3300 x 120 mm	p. 327	32 €



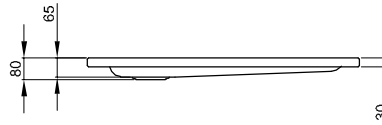
BetteSimple Fix

PG	article no.	description	see	price
IN	B57-0434	6 BetteSimple Fix installation feet for showers with a side length > 900 mm	p. 315	125 €
IN	B57-0435	8 BetteSimple Fix installation feet for showers with both side lengths > 900 mm	p. 315	161 €

BetteSupra 1200 mm - 1300 mm



Shower trays \geq 1000 mm



Information

We recommend to combine the shower area with the BetteSimple Fix installation feet, installation height: 60 - 170 mm or the Foot-System, installation height: 80 - 200 mm.

Scope of delivery

Including noise-reducing pads.

Installation height

Waste fittings	from
B568-	140 mm
B598-	153 mm
B597-	133 mm

Dimensions

article no.	dimensions in mm	A	B	C	D	G	H
5980	1200 x 700 x 65	1200	700	1100	600	210	350
5570	1200 x 750 x 65	1200	750	1100	650	210	375
5870	1200 x 800 x 65	1200	800	1100	700	210	400
1690	1200 x 900 x 65	1200	900	1100	800	210	450
8670	1200 x 1000 x 65	1200	1000	1100	900	210	500
8665	1200 x 1100 x 65	1200	1100	1100	1000	210	550
5630	1200 x 1200 x 65	1200	1200	1100	1100	210	600
5787	1300 x 800 x 65	1300	800	1200	700	210	400
5796	1300 x 900 x 65	1300	900	1200	800	210	450
5789	1300 x 1000 x 65	1300	1000	1200	900	210	500
5827	1300 x 1300 x 65	1300	1300	1200	1200	210	650

Subject to alteration and production tolerance.

Dimensions

Further dimensions on the following pages.

PG	article no.	dimensions in mm	weight (net)	pcs/pallet	White 000 → cover	Key Colours → cover	Bespoke Colours → cover
ES	5980	1200 x 700 x 65	20.3 kg	40	731 €	731 €	900 €
ES	5570	1200 x 750 x 65	21.7 kg	40	731 € ▲	731 €	900 €
ES	5870	1200 x 800 x 65	22.8 kg	40	731 € ▲	731 €	900 €
ES	1690	1200 x 900 x 65	25.6 kg	40	731 € ▲	731 €	900 €
ES	8670	1200 x 1000 x 65	19 kg	14	731 €	731 €	900 €
ES	8665	1200 x 1100 x 65	30.5 kg	14	731 €	731 €	900 €
ES	5630	1200 x 1200 x 65	32.9 kg	14	731 €	731 €	900 €
ES	5787	1300 x 800 x 65	25.8 kg	14	731 €	731 €	900 €
ES	5796	1300 x 900 x 65	28 kg	14	731 €	731 €	900 €
ES	5789	1300 x 1000 x 65	32 kg	14	731 €	731 €	900 €
ES	5827	1300 x 1300 x 65	38.1 kg	14	787 €	787 €	956 €

Extras

PG	code	description	see	price
EX	AS	BetteAnti-Slip Sense - class C ^{*1,2}	p. 259	165 €
EX	AE	BetteAnti-Slip Pro - class B ^{*1}	p. 258	165 €
EX	PLUS	BetteGlaze® Plus	p. 260	138 €
EX		BetteUpstand	p. 264	from 367 €
EX		Special size	p. 270	350 €
EX		Profi Corner	p. 268	from 350 €

*1 Not available with Glaze® Plus.

*2 Only available in combination with White (000).

Waste fittings

PG	article no.	description	see	Chrome 901	White and coloured → p. 290	White and coloured with Antislip Pro* White 000 with Anti-Slip Sense*
IN	B568-	BetteCompact+, side outlet - 0,5 l/s	p. 286	89 €	154 €	154 €
IN	B598-	BetteSolid 50, side outlet - 0,6 l/s	p. 286	163 €	217 €	217 €
IN	B597-	BetteSolid 30, side outlet - 0,6 l/s	p. 287	163 €	217 €	217 €

* Please also state code AY or AX, refer to page 5 for order information.

Accessories

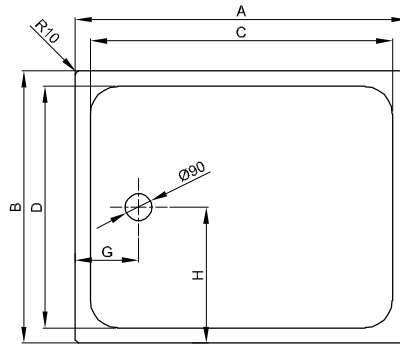
PG	article no.	description	see	price
IN	B57-0370	Sealing System for rectangular shower trays	p. 325	107 €
IN	B57-0408	Sealing tape on roll 4 m	p. 326	23 €
IN	B57-0407	Tile adhesive protection tape 3300 x 120 mm	p. 327	32 €



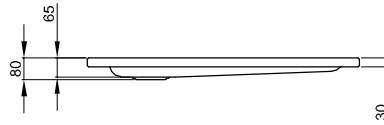
BetteSimple Fix

PG	article no.	description	see	price
IN	B57-0434	6 BetteSimple Fix installation feet for showers with a side length > 900 mm	p. 315	125 €
IN	B57-0435	8 BetteSimple Fix installation feet for showers with both side lengths > 900 mm	p. 315	161 €

BetteSupra 1400 mm - 1500 mm



Shower trays ≥ 1000 mm



Information

We recommend to combine the shower area with the BetteSimple Fix installation feet, installation height: 60 - 170 mm or the Foot-System, installation height: 80 - 200 mm.

Scope of delivery

Including noise-reducing pads.

Installation height

Waste fittings	from
B568-	140 mm
B598-	153 mm
B597-	133 mm

Dimensions

article no.	dimensions in mm	A	B	C	D	G	H
5825	1400 x 700 x 65	1400	700	1300	600	210	350
5815	1400 x 750 x 65	1400	750	1300	600	210	375
5805	1400 x 800 x 65	1400	800	1300	700	210	400
5835	1400 x 900 x 65	1400	900	1300	800	210	450
5839	1400 x 1000 x 65	1400	1000	1300	900	210	500
5829	1400 x 1400 x 65	1400	1400	1300	1300	210	700
5915	1500 x 700 x 65	1500	700	1400	600	210	350
5925	1500 x 750 x 65	1500	750	1400	600	210	375
5933	1500 x 800 x 65	1500	800	1400	700	210	400
5935	1500 x 900 x 65	1500	900	1400	800	210	450
5945	1500 x 1000 x 65	1500	1000	1400	900	210	500

Subject to alteration and production tolerance.

Dimensions

Further dimensions on the following pages.

PG	article no.	dimensions in mm	weight (net)	pcs/pallet	White 000 → cover	Key Colours → cover	Bespoke Colours → cover
ES	5825	1400 x 700 x 65	24.1 kg	14	760 €	760 €	929 €
ES	5815	1400 x 750 x 65	24 kg	14	760 €	760 €	929 €
ES	5805	1400 x 800 x 65	27.1 kg	14	760 €	760 €	929 €
ES	5835	1400 x 900 x 65	29.5 kg	14	760 €	760 €	929 €
ES	5839	1400 x 1000 x 65	32.5 kg	14	760 €	760 €	929 €
ES	5829	1400 x 1400 x 65	43.8 kg	14	844 €	844 €	1.013 €
ES	5915	1500 x 700 x 65	24.5 kg	14	760 €	760 €	929 €
ES	5925	1500 x 750 x 65	19 kg	14	760 €	760 €	929 €
ES	5933	1500 x 800 x 65	29 kg	14	760 €	760 €	929 €
ES	5935	1500 x 900 x 65	32.3 kg	14	760 €	760 €	929 €
ES	5945	1500 x 1000 x 65	35 kg	14	760 €	760 €	929 €

Extras

PG	code	description	see	price
EX	AS	BetteAnti-Slip Sense - class C ^{1,2}	p. 259	165 €
EX	AE	BetteAnti-Slip Pro - class B ¹	p. 258	165 €
EX	PLUS	BetteGlaze® Plus	p. 260	138 €
EX		BetteUpstand	p. 264	from 367 €
EX		Special size	p. 270	350 €
EX		Profi Corner	p. 268	from 350 €

¹ Not available with Glaze® Plus.

² Only available in combination with White (000).

Waste fittings

PG	article no.	description	see	Chrome 901	White and coloured → p. 290	White and coloured with Antislip Pro* White 000 with Anti-Slip Sense*
IN	B568-	BetteCompact+, side outlet - 0,5 l/s	p. 286	89 €	154 €	154 €
IN	B598-	BetteSolid 50, side outlet - 0,6 l/s	p. 286	163 €	217 €	217 €
IN	B597-	BetteSolid 30, side outlet - 0,6 l/s	p. 287	163 €	217 €	217 €

* Please also state code AY or AX, refer to page 5 for order information.

Accessories

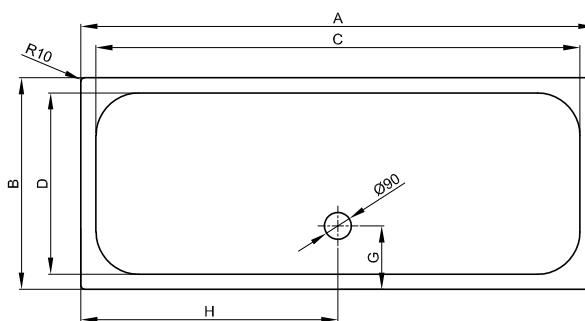
PG	article no.	description	see	price
IN	B57-0370	Sealing System for rectangular shower trays	p. 325	107 €
IN	B57-0408	Sealing tape on roll 4 m	p. 326	23 €
IN	B57-0407	Tile adhesive protection tape 3300 x 120 mm	p. 327	32 €



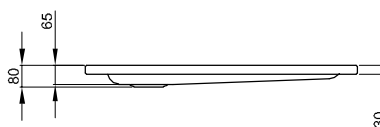
BetteSimple Fix

PG	article no.	description	see	price
IN	B57-0434	6 BetteSimple Fix installation feet for showers with a side length > 900 mm	p. 315	125 €
IN	B57-0435	8 BetteSimple Fix installation feet for showers with both side lengths > 900 mm	p. 315	161 €

BetteSupra 1600 mm - 1800 mm



shower trays with dimension ≥ 1600 mm are delivered with waste positioned in centre of long shank.



Information

We recommend to combine the shower area with the BetteSimple Fix installation feet, installation height: 60 - 170 mm or the Foot-System, installation height: 80 - 200 mm.

Scope of delivery

Including noise-reducing pads.

Installation height

Waste fittings	from
B568-	140 mm
B598-	153 mm
B597-	133 mm

Dimensions

article no.	dimensions in mm	A	B	C	D	G	H
5952	1600 x 700 x 65	1600	700	1500	600	210	800
5954	1600 x 750 x 65	1600	750	1500	650	210	800
5956	1600 x 800 x 65	1600	800	1500	700	210	800
5962	1600 x 900 x 65	1600	900	1500	800	210	800
5968	1600 x 1000 x 65	1600	1000	1500	900	210	800
5993	1700 x 700 x 65	1700	700	1600	600	210	850
5997	1700 x 750 x 65	1700	750	1600	600	235	850
5972	1700 x 800 x 65	1700	800	1600	700	210	850
5999	1700 x 900 x 65	1700	900	1600	800	210	850
5807	1700 x 1000 x 65	1700	1000	1600	900	210	850
5987	1800 x 800 x 65	1800	800	1700	700	210	900
5983	1800 x 900 x 65	1800	900	1700	800	210	900
5809	1800 x 1000 x 65	1800	1000	1700	900	210	900

Subject to alteration and production tolerance.

Dimensions

PG	article no.	dimensions in mm	weight (net)	pcs/pallet	White 000	Key Colours	Bespoke Colours
					→ cover	→ cover	→ cover
ES	5952	1600 x 700 x 65	26 kg	14	760 €	760 €	929 €
ES	5954	1600 x 750 x 65	29.5 kg	14	760 €	760 €	929 €
ES	5956	1600 x 800 x 65	30.9 kg	14	760 €	760 €	929 €
ES	5962	1600 x 900 x 65	33.5 kg	14	760 €	760 €	929 €
ES	5968	1600 x 1000 x 65	35.5 kg	14	789 €	789 €	958 €
ES	5993	1700 x 700 x 65	28 kg	14	788 €	788 €	957 €
ES	5997	1700 x 750 x 65	30.5 kg	14	788 €	788 €	957 €
ES	5972	1700 x 800 x 65	31.25 kg	14	788 €	788 €	957 €
ES	5999	1700 x 900 x 65	34.3 kg	14	788 €	788 €	957 €
ES	5807	1700 x 1000 x 65	40 kg	14	818 €	818 €	987 €
ES	5987	1800 x 800 x 65	33.8 kg	14	818 €	818 €	987 €
ES	5983	1800 x 900 x 65	38.6 kg	14	818 €	818 €	987 €
ES	5809	1800 x 1000 x 65	40.5 kg	14	818 €	818 €	987 €

Extras

PG	code	description	see	price
EX	AS	BetteAnti-Slip Sense - class C ^{*1,2}	p. 259	165 €
EX	AE	BetteAnti-Slip Pro - class B ^{*1}	p. 258	165 €
EX	PLUS	BetteGlaze® Plus	p. 260	138 €
EX		BetteUpstand	p. 264	from 367 €
EX		Special size	p. 270	350 €
EX		Profi Corner	p. 268	from 350 €

*1 Not available with Glaze® Plus.

*2 Only available in combination with White (000).

Waste fittings

PG	article no.	description	see	Chrome 901	White and coloured	White and coloured
					→ p. 290	with Antislip Pro* White 000 with Anti-Slip Sense*
IN	B568-	BetteCompact+, side outlet - 0,5 l/s	p. 286	89 €	154 €	154 €
IN	B598-	BetteSolid 50, side outlet - 0,6 l/s	p. 286	163 €	217 €	217 €
IN	B597-	BetteSolid 30, side outlet - 0,6 l/s	p. 287	163 €	217 €	217 €

* Please also state code AY or AX, refer to page 5 for order information.

Accessories

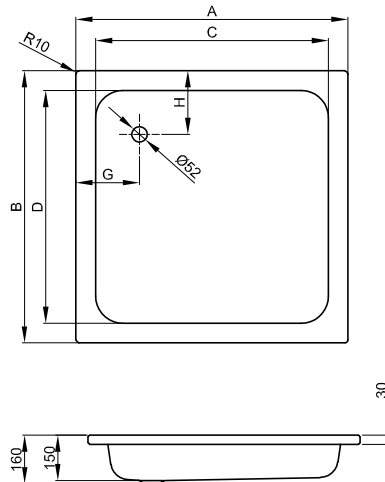
PG	article no.	description	see	price
IN	B57-0370	Sealing System for rectangular shower trays	p. 325	107 €
IN	B57-0408	Sealing tape on roll 4 m	p. 326	23 €
IN	B57-0407	Tile adhesive protection tape 3300 x 120 mm	p. 327	32 €



BetteSimple Fix

PG	article no.	description	see	price
IN	B57-0434	6 BetteSimple Fix installation feet for showers with a side length > 900 mm	p. 315	125 €
IN	B57-0435	8 BetteSimple Fix installation feet for showers with both side lengths > 900 mm	p. 315	161 €

BetteQuinta 700 mm - 900 mm



Information

We recommend to use the Foot-System, adjustable from 80 - 200 mm. For installation height 205 - 325 mm spacers need to be ordered separately.

Installation height

Waste fittings	from
B577-	240 mm

Dimensions

article no.	dimensions in mm	A	B	C	D	G	H
5700	700 x 700 x 150	700	700	570	570	210	210
5370	750 x 700 x 150	750	700	570	570	235	210
5540	750 x 750 x 150	750	750	620	620	210	210
5690	800 x 700 x 150	800	700	670	570	210	210
5650	800 x 750 x 150	800	750	670	620	210	210
5800	800 x 800 x 150	800	800	670	670	210	210
5790	850 x 700 x 150	850	700	670	570	235	210
1910	850 x 750 x 150	850	750	670	620	235	210
1920	850 x 850 x 150	850	850	670	670	235	235
8620	900 x 600 x 150	900	600	770	470	210	210
5730	900 x 700 x 150	900	700	770	570	210	210
5750	900 x 750 x 150	900	750	770	620	210	210
5950	900 x 800 x 150	900	800	770	670	210	210
1900	900 x 850 x 150	900	850	770	670	210	235
5900	900 x 900 x 150	900	900	770	770	210	210

Subject to alteration and production tolerance.

Dimensions

Further dimensions on the following pages.

PG	article no.	dimensions in mm	weight (net)	pcs/pallet	White 000 → cover	Key Colours → cover	Bespoke Colours → cover
ES	5700	700 x 700 x 150	14.4 kg	40	427 € ▲	427 €	596 €
ES	5370	750 x 700 x 150	15.5 kg	40	427 €	427 €	596 €
ES	5540	750 x 750 x 150	16.6 kg	40	427 €	427 €	596 €
ES	5690	800 x 700 x 150	16.9 kg	40	427 € ▲	427 €	596 €
ES	5650	800 x 750 x 150	16.7 kg	40	427 € ▲	427 €	596 €
ES	5800	800 x 800 x 150	17.9 kg	40	427 € ▲	427 €	596 €
ES	5790	850 x 700 x 150	18 kg	40	427 €	427 €	596 €
ES	1910	850 x 750 x 150	18 kg	40	427 €	427 €	596 €
ES	1920	850 x 850 x 150	20 kg	40	427 €	427 €	596 €
ES	8620	900 x 600 x 150	16.3 kg	40	427 €	427 €	596 €
ES	5730	900 x 700 x 150	18.4 kg	40	427 €	427 €	596 €
ES	5750	900 x 750 x 150	18.8 kg	40	427 € ▲	427 €	596 €
ES	5950	900 x 800 x 150	19.8 kg	40	427 € ▲	427 €	596 €
ES	1900	900 x 850 x 150	20 kg	40	427 €	427 €	596 €
ES	5900	900 x 900 x 150	21.8 kg	40	427 € ▲	427 €	596 €

Extras

PG	code	description	see	price
EX	AS	BetteAnti-Slip Sense - class C ^{*12}	p. 259	165 €
EX	PLUS	BetteGlaze® Plus	p. 260	138 €
EX		BetteUpstand	p. 264	from 367 €
EX		Special size	p. 270	350 €
EX		Profi Corner	p. 268	from 350 €
EX	ADD	Antinoise for shower trays	p. 260	39 €

*1 Not available with Glaze® Plus.

*2 Only available in combination with White (000).

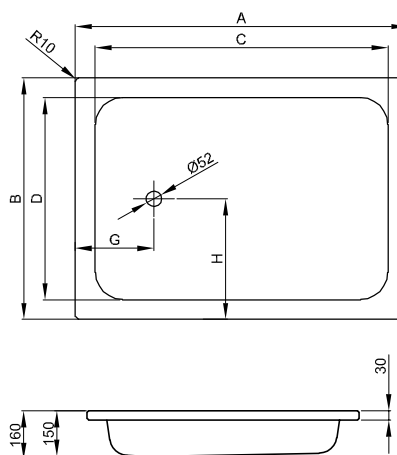
Waste fittings

PG	article no.	description	see	Chrome 901
IN	B577-	Shower waste Ø 52 mm, lateral	p. 289	72 €

Accessories

PG	article no.	description	see	price
IN	B57-0370	Sealing System for rectangular shower trays	p. 325	107 €
IN	B57-0408	Sealing tape on roll 4 m	p. 326	23 €
IN	B57-0407	Tile adhesive protection tape 3300 x 120 mm	p. 327	32 €

BetteQuinta 1000 mm - 1200 mm



Information

We recommend to use the Foot-System, adjustable from 80 - 200 mm. For installation height 205 - 325 mm spacers need to be ordered separately.

Installation height

Waste fittings	from
B577-	240 mm

Dimensions

article no.	dimensions in mm	A	B	C	D	G	H
5890	1000 × 700 × 150	1000	700	870	570	210	350
5560	1000 × 750 × 150	1000	750	870	620	210	375
5500	1000 × 800 × 150	1000	800	870	670	210	400
5390	1000 × 900 × 150	1000	900	870	770	210	450
5600	1000 × 1000 × 150	1000	1000	870	870	210	500
8700	1050 × 750 × 150	1050	750	870	620	235	375
8740	1100 × 800 × 150	1100	800	870	670	260	400
8650	1100 × 900 × 150	1100	900	970	770	210	450
5990	1200 × 700 × 150	1200	700	1070	570	210	350
5580	1200 × 750 × 150	1200	750	1070	620	210	375
5850	1200 × 800 × 150	1200	800	1070	670	210	400
1290	1200 × 900 × 150	1200	900	1070	770	210	450
8680	1200 × 1000 × 150	1200	1000	1070	870	210	500
5640	1200 × 1200 × 150	1200	1200	1070	1070	210	600

Dimensions

PG	article no.	dimensions in mm	weight (net)	pcs/pallet	White 000	Key Colours	Bespoke Colours
					→ cover	→ cover	→ cover
ES	5890	1000 x 700 x 150	20.4 kg	40	589 €	589 €	758 €
ES	5560	1000 x 750 x 150	22 kg	40	589 €	589 €	758 €
ES	5500	1000 x 800 x 150	22.3 kg	40	589 €	589 €	758 €
ES	5390	1000 x 900 x 150	26.2 kg	40	589 €	589 €	758 €
ES	5600	1000 x 1000 x 150	27.8 kg	40	612 €	612 €	781 €
ES	8700	1050 x 750 x 150	18 kg	40	639 €	639 €	808 €
ES	8740	1100 x 800 x 150	19 kg	40	639 €	639 €	808 €
ES	8650	1100 x 900 x 150	27.5 kg	40	639 €	639 €	808 €
ES	5990	1200 x 700 x 150	24.4 kg	40	692 €	692 €	861 €
ES	5580	1200 x 750 x 150	25.1 kg	40	692 €	692 €	861 €
ES	5850	1200 x 800 x 150	26.9 kg	40	692 €	692 €	861 €
ES	1290	1200 x 900 x 150	19 kg	40	692 €	692 €	861 €
ES	8680	1200 x 1000 x 150	32.5 kg	14	745 €	745 €	914 €
ES	5640	1200 x 1200 x 150	22 kg	14	745 €	745 €	914 €

Extras

PG	code	description	see	price
EX	AS	BetteAnti-Slip Sense - class C*1,2	p. 259	165 €
EX	PLUS	BetteGlaze® Plus	p. 260	138 €
EX		BetteUpstand	p. 264	from 367 €
EX		Special size	p. 270	350 €
EX		Profi Corner	p. 268	from 350 €
EX	ADD	Antinoise for shower trays	p. 260	39 €

*1 Not available with Glaze® Plus.

*2 Only available in combination with White (000).

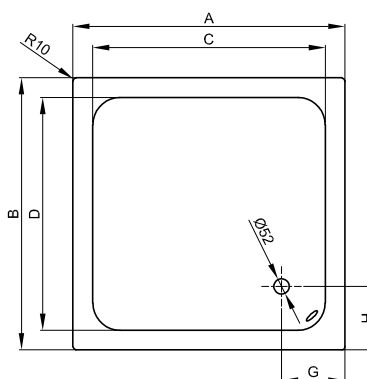
Waste fittings

PG	article no.	description	see	Chrome 901
IN	B577-	Shower waste Ø 52 mm, lateral	p. 289	72 €

Accessories

PG	article no.	description	see	price
IN	B57-0370	Sealing System for rectangular shower trays	p. 325	107 €
IN	B57-0408	Sealing tape on roll 4 m	p. 326	23 €
IN	B57-0407	Tile adhesive protection tape 3300 x 120 mm	p. 327	32 €

BetteDelta 800 mm - 900 mm



Installation height

Waste fittings	from
B600-	400 mm

Dimensions

article no.	dimensions in mm	A	B	C	D	G	H
5660	800 × 750 × 280	800	750	670	620	210	210
5810	800 × 800 × 280	800	800	670	670	210	210
5740	900 × 700 × 280	900	700	770	570	210	210
5760	900 × 750 × 280	900	750	770	620	210	210
5960	900 × 800 × 280	900	800	770	670	210	210
5910	900 × 900 × 280	900	900	770	770	210	210

Dimensions

PG	article no.	dimensions in mm	weight (net)	pcs/pallet	White 000 → cover	Key Colours → cover	Bespoke Colours → cover
ES	5660	800 x 750 x 280	22.5 kg	40	422 €	422 €	591 €
ES	5810	800 x 800 x 280	22.5 kg	40	422 €	422 €	591 €
ES	5740	900 x 700 x 280	20 kg	40	486 €	486 €	655 €
ES	5760	900 x 750 x 280	23.6 kg	40	422 €	422 €	591 €
ES	5960	900 x 800 x 280	25.8 kg	40	486 €	486 €	655 €
ES	5910	900 x 900 x 280	27 kg	40	422 € ▲	422 €	591 €

Extras

PG	code	description	see	price
EX	AS	BetteAnti-Slip Sense - class C ^{*1,2}	p. 259	165 €
EX	PLUS	BetteGlaze® Plus	p. 260	138 €
EX		BetteUpstand	p. 264	from 367 €
EX		Special size	p. 270	350 €
EX		Profi Corner	p. 268	from 350 €
EX	ADD	Antinoise for shower trays	p. 260	39 €

*1 Not available with Glaze® Plus.

*2 Only available in combination with White (000).

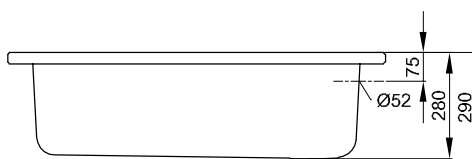
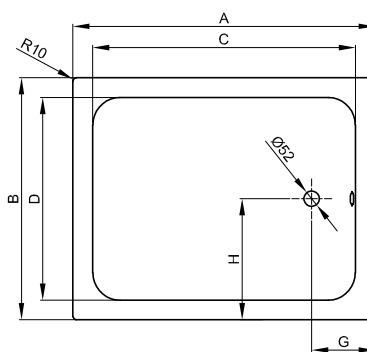
Waste fittings

PG	article no.	description	see	Chrome 901
IN	B600-	Bath waste and overflow fitting Ø 52 mm, 560 mm	p. 300	146 €

Accessories

PG	article no.	description	see	price
IN	B57-0370	Sealing System for rectangular shower trays	p. 325	107 €
IN	B57-0408	Sealing tape on roll 4 m	p. 326	23 €
IN	B57-0407	Tile adhesive protection tape 3300 x 120 mm	p. 327	32 €

BetteDelta 1000 mm - 1200 mm



Installation height

Waste fittings	from
B600-	400 mm

Dimensions

article no.	dimensions in mm	A	B	C	D	G	H
5510	1000 × 800 × 280	1000	800	870	670	210	400
5610	1000 × 1000 × 280	1000	1000	870	870	210	500
5860	1200 × 800 × 280	1200	800	1070	670	210	400

Dimensions

PG	article no.	dimensions in mm	weight (net)	pcs/pallet	White 000 → cover	Key Colours → cover	Bespoke Colours → cover
ES	5510	1000 x 800 x 280	19 kg	40	602 €	602 €	771 €
ES	5610	1000 x 1000 x 280	22 kg	40	602 €	602 €	771 €
ES	5860	1200 x 800 x 280	32.1 kg	40	680 €	680 €	849 €

Extras

PG	code	description	see	price
EX	AS	BetteAnti-Slip Sense - class C* ^{1,2}	p. 259	165 €
EX	PLUS	BetteGlaze® Plus	p. 260	138 €
EX		BetteUpstand	p. 264	from 367 €
EX		Special size	p. 270	350 €
EX		Profi Corner	p. 268	from 350 €
EX	ADD	Antinoise for shower trays	p. 260	39 €

*1 Not available with Glaze® Plus.

*2 Only available in combination with White (000).

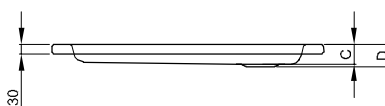
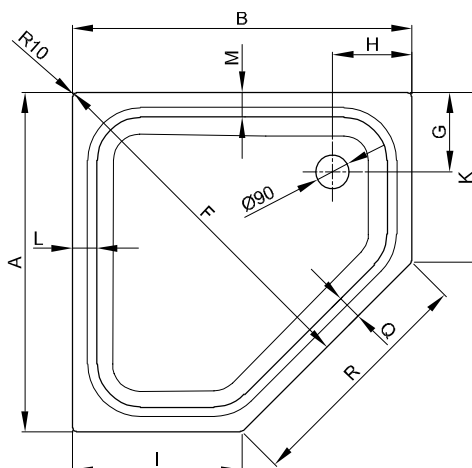
Waste fittings

PG	article no.	description	see	Chrome 901
IN	B600-	Bath waste and overflow fitting Ø 52 mm, 560 mm	p. 300	146 €

Accessories

PG	article no.	description	see	price
IN	B57-0370	Sealing System for rectangular shower trays	p. 325	107 €
IN	B57-0408	Sealing tape on roll 4 m	p. 326	23 €
IN	B57-0407	Tile adhesive protection tape 3300 x 120 mm	p. 327	32 €

BetteCaro 35 mm, same shank length



Scope of delivery

Including noise-reducing pads.

Installation height

Waste fittings	from
B568-	110 mm
B598-	118 mm
B597-	98 mm

Dimensions

article no.	dimensions in mm	A	B	C	D	F	G	H	I	K	L	M	Q	R
5319	800 × 800 × 35	800	800	35	50	813	210	210	350	350	65	65	60	636
7189	900 × 900 × 35	900	900	35	50	955	210	210	450	450	65	65	60	636
7219	1000 × 1000 × 35	1000	1000	35	50	1061	210	210	500	500	70	70	60	707

Dimensions

PG	article no.	dimensions in mm	weight (net)	pcs/pallet	White 000 → cover	Key Colours → cover	Bespoke Colours → cover
ES	5319	800 x 800 x 35	14.1 kg	40	977 € ▲	977 €	1.146 €
ES	7189	900 x 900 x 35	16.6 kg	40	977 € ▲	977 €	1.146 €
ES	7219	1000 x 1000 x 35	21.4 kg	40	1.124 € ▲	1.124 €	1.293 €

Extras

PG	code	description	see	price
EX	AS	BetteAnti-Slip Sense - class C* ^{1,2}	p. 259	165 €
EX	AE	BetteAnti-Slip Pro - class B* ¹	p. 258	165 €
EX	PLUS	BetteGlaze® Plus	p. 260	138 €
EX		BetteUpstand	p. 264	from 367 €
EX		Profi Corner	p. 268	from 350 €

*1 Not available with Glaze® Plus.

*2 Only available in combination with White (000).

Waste fittings

PG	article no.	description	see	Chrome 901	White and coloured → p. 290	White and coloured with Antislip Pro* White 000 with Anti-Slip Sense*
IN	B568-	BetteCompact+, side outlet - 0,5 l/s	p. 286	89 €	154 €	154 €
IN	B598-	BetteSolid 50, side outlet - 0,6 l/s	p. 286	163 €	217 €	217 €
IN	B597-	BetteSolid 30, side outlet - 0,6 l/s	p. 287	163 €	217 €	217 €

* Please also state code AY or AX, refer to page 5 for order Information.

Accessories

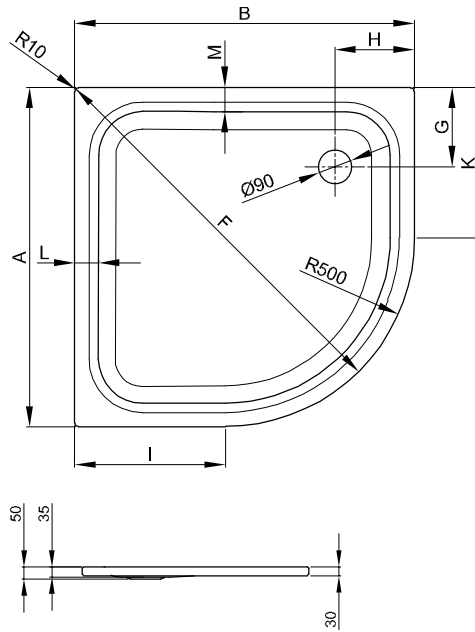
PG	article no.	description	see	price
IN	B57-0374	Sealing System for Caro shower trays	p. 325	118 €
IN	B57-0408	Sealing tape on roll 4 m	p. 326	23 €
IN	B57-0407	Tile adhesive protection tape 3300 x 120 mm	p. 327	32 €



BetteSimple Fix

PG	article no.	description	see	price
IN	B57-0433	4 BetteSimple Fix installation feet for showers with both side lengths ≤ 900 mm	p. 315	89 €
IN	B57-0435	8 BetteSimple Fix installation feet for showers with both side lengths > 900 mm	p. 315	161 €

BetteCorner 35 mm, same shank length



Scope of delivery

Including noise-reducing pads.

Installation height

Waste fittings	from
B568-	110 mm
B598-	118 mm
B597-	98 mm

Dimensions

article no.	dimensions in mm	A	B	F	G	H	I	K	L	M
5399	800 × 800 × 35	800	800	924	210	210	300	300	65	65
5429	900 × 900 × 35	900	900	1066	210	210	400	400	65	65
5459	1000 × 1000 × 35	1000	1000	1207	210	210	500	500	65	65

Dimensions

PG	article no.	dimensions in mm	weight (net)	pcs/pallet	White 000 → cover	Key Colours → cover	Bespoke Colours → cover
ES	5399	800 × 800 × 35	13.8 kg	40	764 € ▲	764 €	933 €
ES	5429	900 × 900 × 35	17.9 kg	40	764 € ▲	764 €	933 €
ES	5459	1000 × 1000 × 35	21.8 kg	40	878 € ▲	878 €	1,047 €

Extras

PG	code	description	see	price
EX	AS	BetteAnti-Slip Sense - class C* ^{1,2}	p. 259	165 €
EX	AE	BetteAnti-Slip Pro - class B* ¹	p. 258	165 €
EX	PLUS	BetteGlaze® Plus	p. 260	138 €
EX		BetteUpstand	p. 264	from 367 €
EX		Profi Corner	p. 268	from 350 €

*1 Not available with Glaze® Plus.

*2 Only available in combination with White (000).

Waste fittings

PG	article no.	description	see	Chrome 901	White and coloured → p. 290	White and coloured with Antislip Pro* White 000 with Anti-Slip Sense*
IN	B568-	BetteCompact+, side outlet - 0,5 l/s	p. 286	89 €	154 €	154 €
IN	B598-	BetteSolid 50, side outlet - 0,6 l/s	p. 286	163 €	217 €	217 €
IN	B597-	BetteSolid 30, side outlet - 0,6 l/s	p. 287	163 €	217 €	217 €

* Please also state code AY or AX, refer to page 5 for order Information.

Accessories

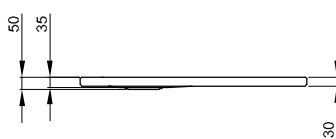
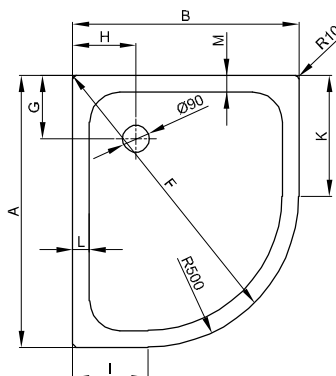
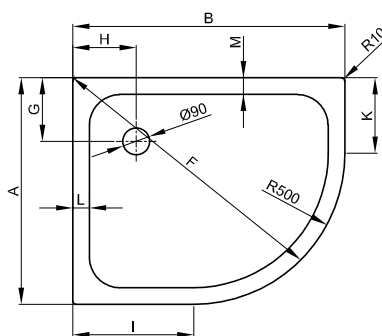
PG	article no.	description	see	price
IN	B57-0373	Sealing System for Corner shower trays	p. 325	118 €
IN	B57-0408	Sealing tape on roll 4 m	p. 326	23 €
IN	B57-0407	Tile adhesive protection tape 3300 × 120 mm	p. 327	32 €



BetteSimple Fix

PG	article no.	description	see	price
IN	B57-0433	4 BetteSimple Fix installation feet for showers with both side lengths ≤ 900 mm	p. 315	89 €
IN	B57-0435	8 BetteSimple Fix installation feet for showers with both side lengths > 900 mm	p. 315	161 €

BetteCorner 35 mm, different shank length



Scope of delivery

Including noise-reducing pads.

Installation height

Waste fittings	from
B568-	110 mm
B598-	123 mm
B597-	103 mm

Dimensions

article no.	dimensions in mm	A	B	F	G	H	I	K	L	M
8119	750 x 900 x 35	750	900	965	210	210	400	250	55	55
5401	800 x 900 x 35	800	900	997	260	210	400	300	55	105
8159	900 x 750 x 35	900	750	965	210	210	250	400	55	55
5404	900 x 800 x 35	900	800	997	210	260	300	400	105	55
5461	900 x 1000 x 35	900	1000	1139	210	210	500	400	70	70
5464	1000 x 900 x 35	1000	900	1139	210	210	400	500	70	70

Dimensions

PG	article no.	dimensions in mm	weight (net)	pcs/pallet	White 000 → cover	Key Colours → cover	Bespoke Colours → cover
ES	8119	750 x 900 x 35	15.7 kg	40	764 €	764 €	933 €
ES	5401	800 x 900 x 35	15.7 kg	40	764 €	764 €	933 €
ES	8159	900 x 750 x 35	15.9 kg	40	764 €	764 €	933 €
ES	5404	900 x 800 x 35	15.7 kg	40	764 €	764 €	933 €
ES	5461	900 x 1000 x 35	20.3 kg	40	878 €	878 €	1.047 €
ES	5464	1000 x 900 x 35	21 kg	40	878 €	878 €	1.047 €

Extras

PG	code	description	see	price
EX	AS	BetteAnti-Slip Sense - class C ^{*1,2}	p. 259	165 €
EX	AE	BetteAnti-Slip Pro - class B ^{*1}	p. 258	165 €
EX	PLUS	BetteGlaze® Plus	p. 260	138 €
EX		BetteUpstand	p. 264	from 367 €
EX		Profi Corner	p. 268	from 350 €

*1 Not available with Glaze® Plus.

*2 Only available in combination with White (000).

Waste fittings

PG	article no.	description	see	Chrome 901	White and coloured → p. 290	White and coloured with Antislip Pro* White 000 with Anti-Slip Sense*
IN	B568-	BetteCompact+, side outlet - 0,5 l/s	p. 286	89 €	154 €	154 €
IN	B598-	BetteSolid 50, side outlet - 0,6 l/s	p. 286	163 €	217 €	217 €
IN	B597-	BetteSolid 30, side outlet - 0,6 l/s	p. 287	163 €	217 €	217 €

* Please also state code AY or AX, refer to page 5 for order information.

Accessories

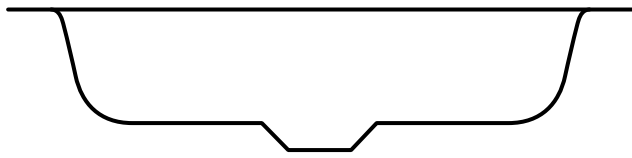
PG	article no.	description	see	price
IN	B57-0373	Sealing System for Corner shower trays	p. 325	118 €
IN	B57-0408	Sealing tape on roll 4 m	p. 326	23 €
IN	B57-0407	Tile adhesive protection tape 3300 x 120 mm	p. 327	32 €



BetteSimple Fix

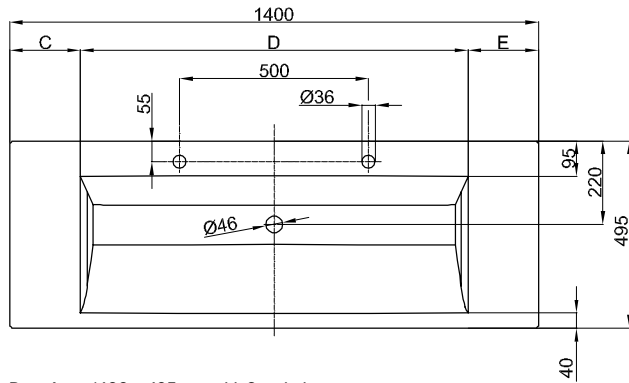
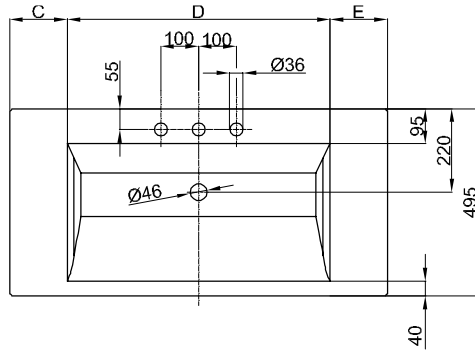
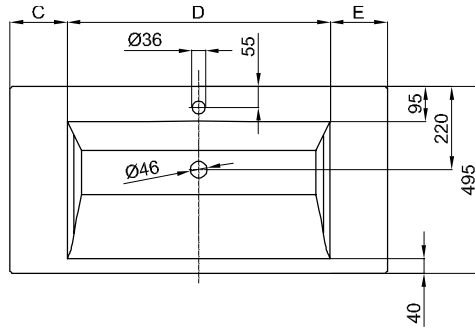
PG	article no.	description	see	price
IN	B57-0433	4 BetteSimple Fix installation feet for showers with both side lengths ≤ 900 mm	p. 315	89 €
IN	B57-0434	6 BetteSimple Fix installation feet for showers with a side length > 900 mm	p. 315	125 €

Washbasins

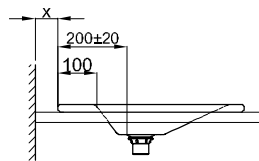
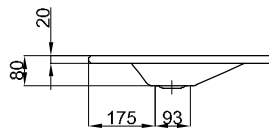


- 204 BetteAqua Built-In
- 206 BetteArt Counter Top
- 208 BetteArt Monolith
- 212 BetteBalance Built-in
- 210 BetteBalance Counter Top
- 216 BetteBalance Shell
- 214 BetteBalance Undermounted
- 218 BetteComodo Built-In
- 220 BetteComodo Undermounted
- 222 BetteComodo Undermounted with overflow
- 224 BetteCraft Shell
- 226 BetteCurve Shell
- 228 BetteLiv Shell
- 230 BetteLoft Built-In
- 236 BetteLoft Ornament Wall Mounted, 1 row
- 238 BetteLoft Ornament Wall Mounted, 4 rows
- 232 BetteLoft Undermounted
- 234 BetteLoft Undermounted with overflow
- 240 BetteLux Built-In
- 244 BetteLux Oval Built-In
- 246 BetteLux Oval Couture
- 242 BetteLux Shape
- 248 BetteOne Built-In
- 250 BetteOne Undermounted
- 252 BetteSuno Counter Top
- 254 BetteSuno Pedestal

BetteAqua Built-In

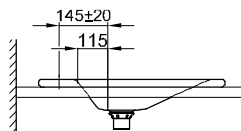


BetteAqua 1400 x 495 mm with 2 tapholes



Recommended taps:

spout projection: distance to wall x mm + ca. 200 mm from outer edge



Recommended taps:

spout projection: ca. 145 mm from centre of taphole



Information

For our washbasins we recommend the unslotted waste 1¼" B580- with a chrome or colour enamelled outlet cover.

Download note

Template for cutout can be downloaded at www.my-bette.com

Scope of delivery

Including fixing materials

Including noise-reducing pads.

Design: schmiddy design

Dimensions

article no.	dimensions in mm	Tapholes	C	D	E
A070	600 x 495 x 80		80	440	80
A070 HLW1	600 x 495 x 80	o	80	440	80
A071	800 x 495 x 80		135	530	135
A071 HLW1	800 x 495 x 80	o	135	530	135
A072	1400 x 495 x 80		185	1030	185
A072 HLW1	1400 x 495 x 80	o	185	1030	185
A072 HLW2	1400 x 495 x 80	oo	185	1030	185

Subject to alteration and production tolerance.

Dimensions

PG	article no.	dimensions in mm	Tapholes	weight (net)	White 000 → cover	Key Colours → cover	Bespoke Colours → cover
ES	A070	600 x 495 x 80		6.5 kg	415 €	516 €	626 €
ES	A070 HLW1	600 x 495 x 80	o	6.5 kg	415 €	516 €	626 €
ES	A071	800 x 495 x 80		8 kg	434 €	535 €	645 €
ES	A071 HLW1	800 x 495 x 80	o	8 kg	434 €	535 €	645 €
ES	A072	1400 x 495 x 80		14 kg	666 €	767 €	877 €
ES	A072 HLW1	1400 x 495 x 80	o	14 kg	666 €	767 €	877 €
ES	A072 HLW2	1400 x 495 x 80	o o	14 kg	666 €	767 €	877 €

Please note the ordering information on page 5, in particular the position of the colour number.

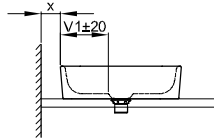
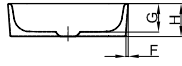
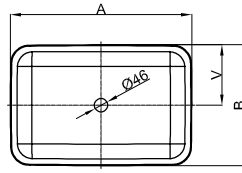
Extras

PG	code	description	see	price
EX	PW	BetteGlaze® Plus for washbasin	p. 260	58 €
EX	HLZ	Tapholes and drilling as per special drawing	p. 261	203 €
EX	HLW3	Drilling for 3-hole-tap	p. 261	82 €

Accessories

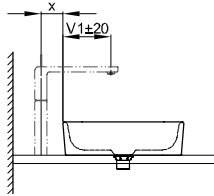
PG	article no.	description	see	price
IN	B580-901	Unslotted waste 1/4", Chrome	p. 328	72 €
IN	B580-000	Unslotted waste 1/4", enamelled, White	p. 328	116 €
IN	B580-001	Unslotted waste 1/4", enamelled, Pergamon	p. 328	116 €
IN	B580-002	Unslotted waste 1/4", enamelled, Manhattan	p. 328	116 €
IN	B580-003	Unslotted waste 1/4", enamelled, Bahama beige	p. 328	116 €
IN	B580-004	Unslotted waste 1/4", enamelled, Edelweiss	p. 328	116 €
IN	B580-006	Unslotted waste 1/4", enamelled, Jasmin	p. 328	116 €
IN	B580-008	Unslotted waste 1/4", enamelled, Flanell	p. 328	116 €
IN	B580-016	Unslotted waste 1/4", enamelled, Moss green	p. 328	116 €
IN	B580-035	Unslotted waste 1/4", enamelled, Ebony	p. 328	116 €
IN	B580-040	Unslotted waste 1/4", enamelled, Curry	p. 328	116 €
IN	B580-056	Unslotted waste 1/4", enamelled, Black	p. 328	116 €
IN	B580-115	Unslotted waste 1/4", enamelled, Evergreen	p. 328	116 €
IN	B580-124	Unslotted waste 1/4", enamelled, Violet	p. 328	116 €
IN	B580-287	Unslotted waste 1/4", enamelled, Starwhite	p. 328	116 €
IN	B580-307	Unslotted waste 1/4", enamelled, Salvia	p. 328	116 €
IN	B580-400	Unslotted waste 1/4", enamelled, Raven	p. 328	116 €
IN	B580-401	Unslotted waste 1/4", enamelled, Anthracite	p. 328	116 €
IN	B580-402	Unslotted waste 1/4", enamelled, Slate	p. 328	116 €
IN	B580-403	Unslotted waste 1/4", enamelled, Smoke	p. 328	116 €
IN	B580-404	Unslotted waste 1/4", enamelled, Graphite	p. 328	116 €
IN	B580-410	Unslotted waste 1/4", enamelled, Silver	p. 328	116 €
IN	B580-412	Unslotted waste 1/4", enamelled, Quartz	p. 328	116 €
IN	B580-413	Unslotted waste 1/4", enamelled, Dust	p. 328	116 €
IN	B580-414	Unslotted waste 1/4", enamelled, Flint	p. 328	116 €
IN	B580-415	Unslotted waste 1/4", enamelled, Cashmere	p. 328	116 €
IN	B580-416	Unslotted waste 1/4", enamelled, Stone	p. 328	116 €
IN	B580-417	Unslotted waste 1/4", enamelled, Hazel	p. 328	116 €
IN	B580-422	Unslotted waste 1/4", enamelled, Beige	p. 328	116 €
IN	B580-423	Unslotted waste 1/4", enamelled, Flax	p. 328	116 €
IN	B580-424	Unslotted waste 1/4", enamelled, Sand	p. 328	116 €
IN	B580-425	Unslotted waste 1/4", enamelled, Greige	p. 328	116 €
IN	B580-440	Unslotted waste 1/4", enamelled, Snow	p. 328	116 €
IN	B580-441	Unslotted waste 1/4", enamelled, Cream	p. 328	116 €
IN	B580-418	Unslotted waste 1/4", enamelled, Blue Satin	p. 328	116 €
IN	B580-790	Unslotted waste 1/4", enamelled, Midnight	p. 328	116 €
IN	B580-788	Unslotted waste 1/4", enamelled, Daylight	p. 328	116 €
IN	B580-791	Unslotted waste 1/4", enamelled, Forest	p. 328	116 €

BetteArt Counter Top



Recommended taps:

spout projection: distance to wall x mm + dimension V1 from outer edge



Recommended taps:

spout projection: distance tap x mm + dimension V1 from outer edge



Information

For our washbasins we recommend the unslotted waste 1¼" B580- with a chrome or colour enamelled outlet cover.

Scope of delivery

Including fixing materials

Including noise-reducing pads.

Design: Tesseraux + Partner

Availability

The washbasin BetteArt Counter Top will only be available until 31 December 2026.

Dimensions

article no.	dimensions in mm	A	B	F	G	H	V	V1
A180	300 × 400 × 80	400	300	6	80	90	150	105
A181	600 × 400 × 100	600	400	8	100	110	200	155
A182	800 × 400 × 100	800	400	8	100	110	200	155

Dimensions

PG	article no.	dimensions in mm	weight (net)	White 000 → cover	Key Colours → cover	Bespoke Colours → cover
ES	A180	300 x 400 x 80	4.9 kg	923 €	1.024 €	1.134 €
ES	A181	600 x 400 x 100	8.7 kg	1.016 €	1.117 €	1.227 €
ES	A182	800 x 400 x 100	11 kg	1.062 €	1.163 €	1.273 €

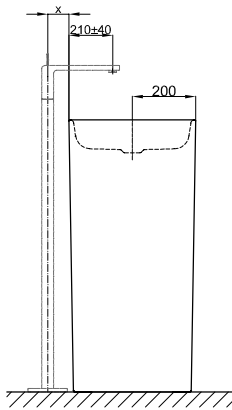
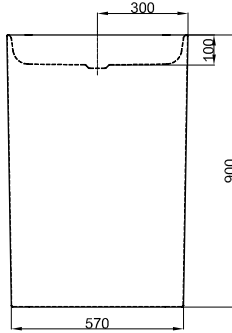
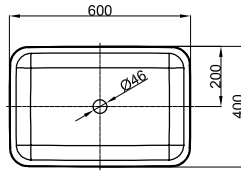
Extras

PG	code	description	see	price
EX	PW	BetteGlaze® Plus for washbasin	p. 260	58 €

Accessories

PG	article no.	description	see	price
IN	B580-901	Unslotted waste 1¼", Chrome	p. 328	72 €
IN	B580-000	Unslotted waste 1¼", enamelled, White	p. 328	116 €
IN	B580-001	Unslotted waste 1¼", enamelled, Pergamon	p. 328	116 €
IN	B580-002	Unslotted waste 1¼", enamelled, Manhatten	p. 328	116 €
IN	B580-003	Unslotted waste 1¼", enamelled, Bahama beige	p. 328	116 €
IN	B580-004	Unslotted waste 1¼", enamelled, Edelweiss	p. 328	116 €
IN	B580-006	Unslotted waste 1¼", enamelled, Jasmin	p. 328	116 €
IN	B580-008	Unslotted waste 1¼", enamelled, Flanell	p. 328	116 €
IN	B580-016	Unslotted waste 1¼", enamelled, Moss green	p. 328	116 €
IN	B580-035	Unslotted waste 1¼", enamelled, Ebony	p. 328	116 €
IN	B580-040	Unslotted waste 1¼", enamelled, Curry	p. 328	116 €
IN	B580-056	Unslotted waste 1¼", enamelled, Black	p. 328	116 €
IN	B580-115	Unslotted waste 1¼", enamelled, Evergreen	p. 328	116 €
IN	B580-124	Unslotted waste 1¼", enamelled, Violet	p. 328	116 €
IN	B580-287	Unslotted waste 1¼", enamelled, Starwhite	p. 328	116 €
IN	B580-307	Unslotted waste 1¼", enamelled, Salvia	p. 328	116 €
IN	B580-400	Unslotted waste 1¼", enamelled, Raven	p. 328	116 €
IN	B580-401	Unslotted waste 1¼", enamelled, Anthracite	p. 328	116 €
IN	B580-402	Unslotted waste 1¼", enamelled, Slate	p. 328	116 €
IN	B580-403	Unslotted waste 1¼", enamelled, Smoke	p. 328	116 €
IN	B580-404	Unslotted waste 1¼", enamelled, Graphite	p. 328	116 €
IN	B580-410	Unslotted waste 1¼", enamelled, Silver	p. 328	116 €
IN	B580-412	Unslotted waste 1¼", enamelled, Quartz	p. 328	116 €
IN	B580-413	Unslotted waste 1¼", enamelled, Dust	p. 328	116 €
IN	B580-414	Unslotted waste 1¼", enamelled, Flint	p. 328	116 €
IN	B580-415	Unslotted waste 1¼", enamelled, Cashmere	p. 328	116 €
IN	B580-416	Unslotted waste 1¼", enamelled, Stone	p. 328	116 €
IN	B580-417	Unslotted waste 1¼", enamelled, Hazel	p. 328	116 €
IN	B580-422	Unslotted waste 1¼", enamelled, Beige	p. 328	116 €
IN	B580-423	Unslotted waste 1¼", enamelled, Flax	p. 328	116 €
IN	B580-424	Unslotted waste 1¼", enamelled, Sand	p. 328	116 €
IN	B580-425	Unslotted waste 1¼", enamelled, Greige	p. 328	116 €
IN	B580-440	Unslotted waste 1¼", enamelled, Snow	p. 328	116 €
IN	B580-441	Unslotted waste 1¼", enamelled, Cream	p. 328	116 €
IN	B580-418	Unslotted waste 1¼", enamelled, Blue Satin	p. 328	116 €
IN	B580-790	Unslotted waste 1¼", enamelled, Midnight	p. 328	116 €
IN	B580-788	Unslotted waste 1¼", enamelled, Daylight	p. 328	116 €
IN	B580-791	Unslotted waste 1¼", enamelled, Forest	p. 328	116 €

BetteArt Monolith



Information

Washbasin Monolith, enamelled inside and outside, without taphole and overflow, unslotted waste with a white glazed cover.

Scope of delivery

Including fixing materials

Including unslotted waste with chromed or colour-matching waste cover when the following colours are selected: White 000 or one of the Key Colours → cover

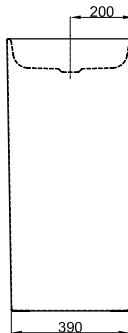
Including Siphon.

Incl. noise-reducing sound-dampening pads.

Design: Tesseraux + Partner

Recommended taps:

spout projection: distance tap x mm + ca. 210 mm from outer edge



Availability

The washbasin BetteArt Monolith will only be available until 31 December 2026.

Dimensions

article no.

A183

dimensions in mm

600 x 400 x 100

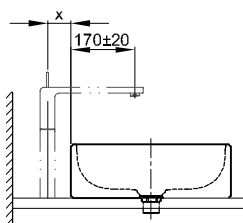
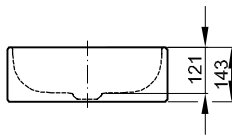
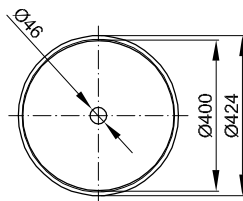
Dimensions

PG	article no.	dimensions in mm	weight (net)	White 000 → cover	Key Colours → cover	Bespoke Colours → cover
ES	A183	600 x 400 x 100	38.4 kg	2.631 €	2.732 €	2.842 €

Extras

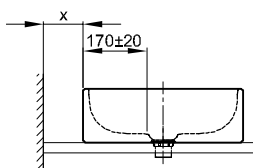
PG	code	description	see	price
EX	PW	BetteGlaze® Plus for washbasin	p. 260	58 €

BetteBalance Counter Top



Recommended taps:

spout projection: distance tap x mm + ca. 170 mm from outer edge



Recommended taps:

spout projection: wall distance x mm + ca. 170 mm from outer edge

Information

For our washbasins we recommend the unslotted waste 1/4" B580- with a chrome or colour enamelled outlet cover.

Download note

Template for cutout can be downloaded at www.my-bette.com

Scope of delivery

Including fixing materials

Including noise-reducing pads.

Design: Tesseraux + Partner

Dimensions

article no.

A248

dimensions in mm

425 x 425 x 143

Dimensions

PG	article no.	dimensions in mm	weight (net)	White 000 → cover	Key Colours → cover	Bespoke Colours → cover
ES	A248	425 x 425 x 143	9.7 kg	727 €	828 €	938 €

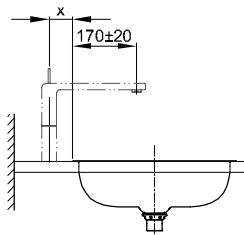
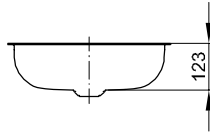
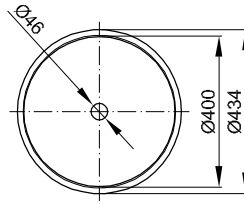
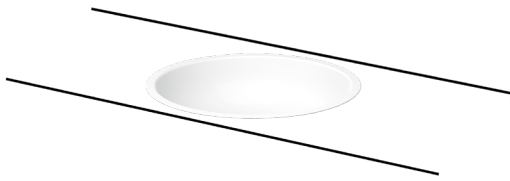
Extras

PG	code	description	see	price
EX	PW	BetteGlaze® Plus for washbasin	p. 260	58 €

Accessories

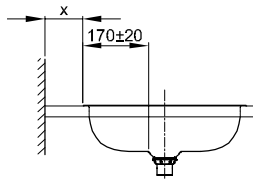
PG	article no.	description	see	price
IN	B580-901	Unslotted waste 1¼", Chrome	p. 328	72 €
IN	B580-000	Unslotted waste 1¼", enamelled, White	p. 328	116 €
IN	B580-001	Unslotted waste 1¼", enamelled, Pergamon	p. 328	116 €
IN	B580-002	Unslotted waste 1¼", enamelled, Manhattan	p. 328	116 €
IN	B580-003	Unslotted waste 1¼", enamelled, Bahama beige	p. 328	116 €
IN	B580-004	Unslotted waste 1¼", enamelled, Edelweiss	p. 328	116 €
IN	B580-006	Unslotted waste 1¼", enamelled, Jasmin	p. 328	116 €
IN	B580-008	Unslotted waste 1¼", enamelled, Flanell	p. 328	116 €
IN	B580-016	Unslotted waste 1¼", enamelled, Moss green	p. 328	116 €
IN	B580-035	Unslotted waste 1¼", enamelled, Ebony	p. 328	116 €
IN	B580-040	Unslotted waste 1¼", enamelled, Curry	p. 328	116 €
IN	B580-056	Unslotted waste 1¼", enamelled, Black	p. 328	116 €
IN	B580-115	Unslotted waste 1¼", enamelled, Evergreen	p. 328	116 €
IN	B580-124	Unslotted waste 1¼", enamelled, Violet	p. 328	116 €
IN	B580-287	Unslotted waste 1¼", enamelled, Starwhite	p. 328	116 €
IN	B580-307	Unslotted waste 1¼", enamelled, Salvia	p. 328	116 €
IN	B580-400	Unslotted waste 1¼", enamelled, Raven	p. 328	116 €
IN	B580-401	Unslotted waste 1¼", enamelled, Anthracite	p. 328	116 €
IN	B580-402	Unslotted waste 1¼", enamelled, Slate	p. 328	116 €
IN	B580-403	Unslotted waste 1¼", enamelled, Smoke	p. 328	116 €
IN	B580-404	Unslotted waste 1¼", enamelled, Graphite	p. 328	116 €
IN	B580-410	Unslotted waste 1¼", enamelled, Silver	p. 328	116 €
IN	B580-412	Unslotted waste 1¼", enamelled, Quartz	p. 328	116 €
IN	B580-413	Unslotted waste 1¼", enamelled, Dust	p. 328	116 €
IN	B580-414	Unslotted waste 1¼", enamelled, Flint	p. 328	116 €
IN	B580-415	Unslotted waste 1¼", enamelled, Cashmere	p. 328	116 €
IN	B580-416	Unslotted waste 1¼", enamelled, Stone	p. 328	116 €
IN	B580-417	Unslotted waste 1¼", enamelled, Hazel	p. 328	116 €
IN	B580-422	Unslotted waste 1¼", enamelled, Beige	p. 328	116 €
IN	B580-423	Unslotted waste 1¼", enamelled, Flax	p. 328	116 €
IN	B580-424	Unslotted waste 1¼", enamelled, Sand	p. 328	116 €
IN	B580-425	Unslotted waste 1¼", enamelled, Greige	p. 328	116 €
IN	B580-440	Unslotted waste 1¼", enamelled, Snow	p. 328	116 €
IN	B580-441	Unslotted waste 1¼", enamelled, Cream	p. 328	116 €
IN	B580-418	Unslotted waste 1¼", enamelled, Blue Satin	p. 328	116 €
IN	B580-790	Unslotted waste 1¼", enamelled, Midnight	p. 328	116 €
IN	B580-788	Unslotted waste 1¼", enamelled, Daylight	p. 328	116 €
IN	B580-791	Unslotted waste 1¼", enamelled, Forest	p. 328	116 €

BetteBalance Built-in



Recommended taps:

spout projection: distance tap x mm + ca. 170 mm from outer edge



Recommended taps:

spout projection: wall distance x mm + ca. 170 mm from outer edge

Information

For our washbasins we recommend the unslotted waste 1¼" B580- with a chrome or colour enamelled outlet cover.

Download note

Template for cutout can be downloaded at www.my-bette.com

Scope of delivery

Including noise-reducing pads.

Design: Tesseraux + Partner

Dimensions

article no.

A247

dimensions in mm

435 x 435 x 123

Dimensions

PG	article no.	dimensions in mm	weight (net)	White 000 → cover	Key Colours → cover	Bespoke Colours → cover
ES	A247	435 x 435 x 123	5.4 kg	639 €	740 €	850 €

Extras

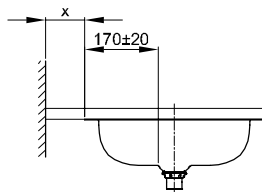
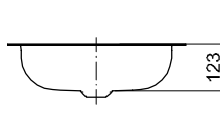
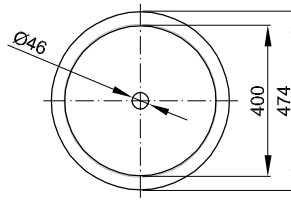
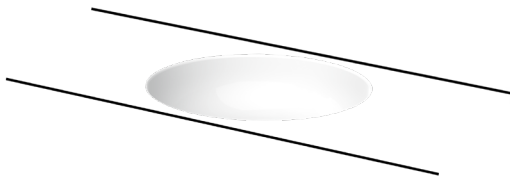
PG	code	description	see	price
EX	PW	BetteGlaze® Plus for washbasin	p. 260	58 €

Accessories

PG	article no.	description	see	price
IN	B580-901	Unslotted waste 1¼", Chrome	p. 328	72 €
IN	B580-000	Unslotted waste 1¼", enamelled, White	p. 328	116 €
IN	B580-001	Unslotted waste 1¼", enamelled, Pergamon	p. 328	116 €
IN	B580-002	Unslotted waste 1¼", enamelled, Manhattan	p. 328	116 €
IN	B580-003	Unslotted waste 1¼", enamelled, Bahama beige	p. 328	116 €
IN	B580-004	Unslotted waste 1¼", enamelled, Edelweiss	p. 328	116 €
IN	B580-006	Unslotted waste 1¼", enamelled, Jasmin	p. 328	116 €
IN	B580-008	Unslotted waste 1¼", enamelled, Flanell	p. 328	116 €
IN	B580-016	Unslotted waste 1¼", enamelled, Moss green	p. 328	116 €
IN	B580-035	Unslotted waste 1¼", enamelled, Ebony	p. 328	116 €
IN	B580-040	Unslotted waste 1¼", enamelled, Curry	p. 328	116 €
IN	B580-056	Unslotted waste 1¼", enamelled, Black	p. 328	116 €
IN	B580-115	Unslotted waste 1¼", enamelled, Evergreen	p. 328	116 €
IN	B580-124	Unslotted waste 1¼", enamelled, Violet	p. 328	116 €
IN	B580-287	Unslotted waste 1¼", enamelled, Starwhite	p. 328	116 €
IN	B580-307	Unslotted waste 1¼", enamelled, Salvia	p. 328	116 €
IN	B580-400	Unslotted waste 1¼", enamelled, Raven	p. 328	116 €
IN	B580-401	Unslotted waste 1¼", enamelled, Anthracite	p. 328	116 €
IN	B580-402	Unslotted waste 1¼", enamelled, Slate	p. 328	116 €
IN	B580-403	Unslotted waste 1¼", enamelled, Smoke	p. 328	116 €
IN	B580-404	Unslotted waste 1¼", enamelled, Graphite	p. 328	116 €
IN	B580-410	Unslotted waste 1¼", enamelled, Silver	p. 328	116 €
IN	B580-412	Unslotted waste 1¼", enamelled, Quartz	p. 328	116 €
IN	B580-413	Unslotted waste 1¼", enamelled, Dust	p. 328	116 €
IN	B580-414	Unslotted waste 1¼", enamelled, Flint	p. 328	116 €
IN	B580-415	Unslotted waste 1¼", enamelled, Cashmere	p. 328	116 €
IN	B580-416	Unslotted waste 1¼", enamelled, Stone	p. 328	116 €
IN	B580-417	Unslotted waste 1¼", enamelled, Hazel	p. 328	116 €
IN	B580-422	Unslotted waste 1¼", enamelled, Beige	p. 328	116 €
IN	B580-423	Unslotted waste 1¼", enamelled, Flax	p. 328	116 €
IN	B580-424	Unslotted waste 1¼", enamelled, Sand	p. 328	116 €
IN	B580-425	Unslotted waste 1¼", enamelled, Greige	p. 328	116 €
IN	B580-440	Unslotted waste 1¼", enamelled, Snow	p. 328	116 €
IN	B580-441	Unslotted waste 1¼", enamelled, Cream	p. 328	116 €
IN	B580-418	Unslotted waste 1¼", enamelled, Blue Satin	p. 328	116 €
IN	B580-790	Unslotted waste 1¼", enamelled, Midnight	p. 328	116 €
IN	B580-788	Unslotted waste 1¼", enamelled, Daylight	p. 328	116 €
IN	B580-791	Unslotted waste 1¼", enamelled, Forest	p. 328	116 €

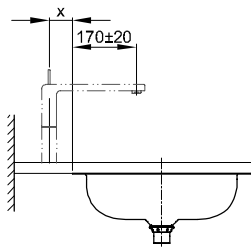
Technical information and prices of additional BetteExtras on page 256. You will find the colours in the cover. Subject to alteration and production tolerance. Prices excluding VAT.

BetteBalance Undermounted



Recommended taps:

spout projection: wall distance x mm + ca. 170 mm from outer edge



Recommended taps:

spout projection: distance tap x mm + ca. 170 mm from outer edge



Information

For our washbasins we recommend the unslotted waste 1¼" B580- with a chrome or colour enamelled outlet cover.

Download note

Template for cutout can be downloaded at www.my-bette.com

Scope of delivery

Including noise-reducing pads.

Design: Tesseraux + Partner

Dimensions

article no.

A246

dimensions in mm

475 x 475 x 123

Dimensions

PG	article no.	dimensions in mm	weight (net)	White 000 → cover	Key Colours → cover	Bespoke Colours → cover
ES	A246	475 × 475 × 123	6 kg	555 €	656 €	766 €

Extras

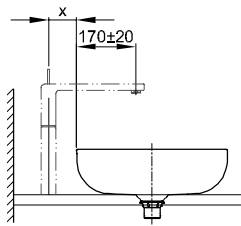
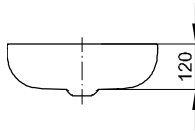
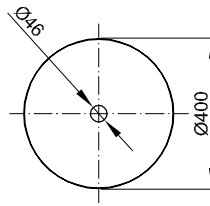
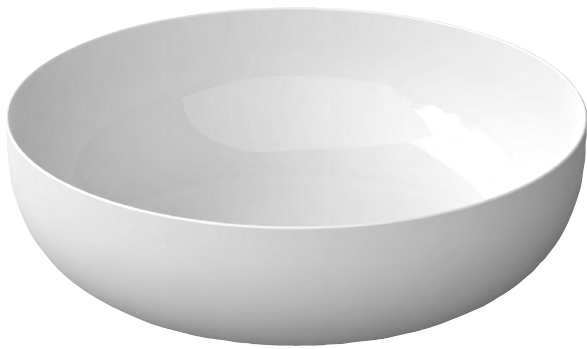
PG	code	description	see	price
EX	PW	BetteGlaze® Plus for washbasin	p. 260	58 €

Accessories

PG	article no.	description	see	price
IN	B580-901	Unslotted waste 1¼", Chrome	p. 328	72 €
IN	B580-000	Unslotted waste 1¼", enamelled, White	p. 328	116 €
IN	B580-001	Unslotted waste 1¼", enamelled, Pergamon	p. 328	116 €
IN	B580-002	Unslotted waste 1¼", enamelled, Manhattan	p. 328	116 €
IN	B580-003	Unslotted waste 1¼", enamelled, Bahama beige	p. 328	116 €
IN	B580-004	Unslotted waste 1¼", enamelled, Edelweiss	p. 328	116 €
IN	B580-006	Unslotted waste 1¼", enamelled, Jasmin	p. 328	116 €
IN	B580-008	Unslotted waste 1¼", enamelled, Flanell	p. 328	116 €
IN	B580-016	Unslotted waste 1¼", enamelled, Moss green	p. 328	116 €
IN	B580-035	Unslotted waste 1¼", enamelled, Ebony	p. 328	116 €
IN	B580-040	Unslotted waste 1¼", enamelled, Curry	p. 328	116 €
IN	B580-056	Unslotted waste 1¼", enamelled, Black	p. 328	116 €
IN	B580-115	Unslotted waste 1¼", enamelled, Evergreen	p. 328	116 €
IN	B580-124	Unslotted waste 1¼", enamelled, Violet	p. 328	116 €
IN	B580-287	Unslotted waste 1¼", enamelled, Starwhite	p. 328	116 €
IN	B580-307	Unslotted waste 1¼", enamelled, Salvia	p. 328	116 €
IN	B580-400	Unslotted waste 1¼", enamelled, Raven	p. 328	116 €
IN	B580-401	Unslotted waste 1¼", enamelled, Anthracite	p. 328	116 €
IN	B580-402	Unslotted waste 1¼", enamelled, Slate	p. 328	116 €
IN	B580-403	Unslotted waste 1¼", enamelled, Smoke	p. 328	116 €
IN	B580-404	Unslotted waste 1¼", enamelled, Graphite	p. 328	116 €
IN	B580-410	Unslotted waste 1¼", enamelled, Silver	p. 328	116 €
IN	B580-412	Unslotted waste 1¼", enamelled, Quartz	p. 328	116 €
IN	B580-413	Unslotted waste 1¼", enamelled, Dust	p. 328	116 €
IN	B580-414	Unslotted waste 1¼", enamelled, Flint	p. 328	116 €
IN	B580-415	Unslotted waste 1¼", enamelled, Cashmere	p. 328	116 €
IN	B580-416	Unslotted waste 1¼", enamelled, Stone	p. 328	116 €
IN	B580-417	Unslotted waste 1¼", enamelled, Hazel	p. 328	116 €
IN	B580-422	Unslotted waste 1¼", enamelled, Beige	p. 328	116 €
IN	B580-423	Unslotted waste 1¼", enamelled, Flax	p. 328	116 €
IN	B580-424	Unslotted waste 1¼", enamelled, Sand	p. 328	116 €
IN	B580-425	Unslotted waste 1¼", enamelled, Greige	p. 328	116 €
IN	B580-440	Unslotted waste 1¼", enamelled, Snow	p. 328	116 €
IN	B580-441	Unslotted waste 1¼", enamelled, Cream	p. 328	116 €
IN	B580-418	Unslotted waste 1¼", enamelled, Blue Satin	p. 328	116 €
IN	B580-790	Unslotted waste 1¼", enamelled, Midnight	p. 328	116 €
IN	B580-788	Unslotted waste 1¼", enamelled, Daylight	p. 328	116 €
IN	B580-791	Unslotted waste 1¼", enamelled, Forest	p. 328	116 €

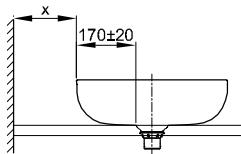
Technical information and prices of additional BetteExtras on page 256. You will find the colours in the cover. Subject to alteration and production tolerance. Prices excluding VAT.

BetteBalance Shell



Recommended taps:

spout projection: distance tap x mm + ca. 170 mm from outer edge



Recommended taps:

spout projection: wall distance x mm + ca. 170 mm from outer edge

Information

For our washbasins we recommend the unslotted waste 1/4" B580- with a chrome or colour enamelled outlet cover.

Download note

Template for cutout can be downloaded at www.my-bette.com

Scope of delivery

Including noise-reducing pads.

Design: Tesseraux + Partner



Dimensions

article no.

A249

dimensions in mm

400 x 400 x 120

Dimensions

PG	article no.	dimensions in mm	weight (net)	White 000 → cover	Key Colours → cover	Bespoke Colours → cover
ES	A249	400 × 400 × 120	4.9 kg	679 €	780 €	890 €

Extras

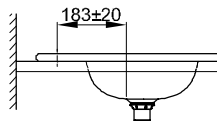
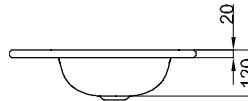
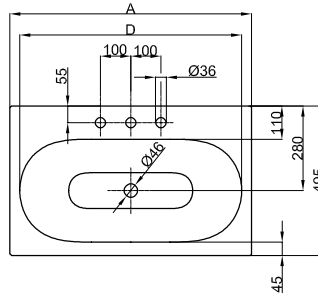
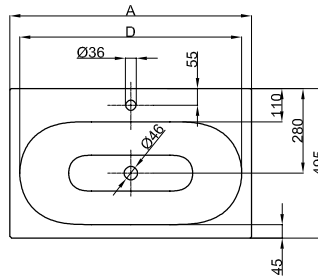
PG	code	description	see	price
EX	PW	BetteGlaze® Plus for washbasin	p. 260	58 €

Accessories

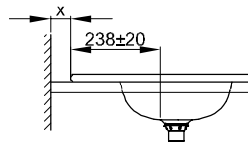
PG	article no.	description	see	price
IN	B580-901	Unslotted waste 1¼", Chrome	p. 328	72 €
IN	B580-000	Unslotted waste 1¼", enamelled, White	p. 328	116 €
IN	B580-001	Unslotted waste 1¼", enamelled, Pergamon	p. 328	116 €
IN	B580-002	Unslotted waste 1¼", enamelled, Manhattan	p. 328	116 €
IN	B580-003	Unslotted waste 1¼", enamelled, Bahama beige	p. 328	116 €
IN	B580-004	Unslotted waste 1¼", enamelled, Edelweiss	p. 328	116 €
IN	B580-006	Unslotted waste 1¼", enamelled, Jasmin	p. 328	116 €
IN	B580-008	Unslotted waste 1¼", enamelled, Flanell	p. 328	116 €
IN	B580-016	Unslotted waste 1¼", enamelled, Moss green	p. 328	116 €
IN	B580-035	Unslotted waste 1¼", enamelled, Ebony	p. 328	116 €
IN	B580-040	Unslotted waste 1¼", enamelled, Curry	p. 328	116 €
IN	B580-056	Unslotted waste 1¼", enamelled, Black	p. 328	116 €
IN	B580-115	Unslotted waste 1¼", enamelled, Evergreen	p. 328	116 €
IN	B580-124	Unslotted waste 1¼", enamelled, Violet	p. 328	116 €
IN	B580-287	Unslotted waste 1¼", enamelled, Starwhite	p. 328	116 €
IN	B580-307	Unslotted waste 1¼", enamelled, Salvia	p. 328	116 €
IN	B580-400	Unslotted waste 1¼", enamelled, Raven	p. 328	116 €
IN	B580-401	Unslotted waste 1¼", enamelled, Anthracite	p. 328	116 €
IN	B580-402	Unslotted waste 1¼", enamelled, Slate	p. 328	116 €
IN	B580-403	Unslotted waste 1¼", enamelled, Smoke	p. 328	116 €
IN	B580-404	Unslotted waste 1¼", enamelled, Graphite	p. 328	116 €
IN	B580-410	Unslotted waste 1¼", enamelled, Silver	p. 328	116 €
IN	B580-412	Unslotted waste 1¼", enamelled, Quartz	p. 328	116 €
IN	B580-413	Unslotted waste 1¼", enamelled, Dust	p. 328	116 €
IN	B580-414	Unslotted waste 1¼", enamelled, Flint	p. 328	116 €
IN	B580-415	Unslotted waste 1¼", enamelled, Cashmere	p. 328	116 €
IN	B580-416	Unslotted waste 1¼", enamelled, Stone	p. 328	116 €
IN	B580-417	Unslotted waste 1¼", enamelled, Hazel	p. 328	116 €
IN	B580-422	Unslotted waste 1¼", enamelled, Beige	p. 328	116 €
IN	B580-423	Unslotted waste 1¼", enamelled, Flax	p. 328	116 €
IN	B580-424	Unslotted waste 1¼", enamelled, Sand	p. 328	116 €
IN	B580-425	Unslotted waste 1¼", enamelled, Greige	p. 328	116 €
IN	B580-440	Unslotted waste 1¼", enamelled, Snow	p. 328	116 €
IN	B580-441	Unslotted waste 1¼", enamelled, Cream	p. 328	116 €
IN	B580-418	Unslotted waste 1¼", enamelled, Blue Satin	p. 328	116 €
IN	B580-790	Unslotted waste 1¼", enamelled, Midnight	p. 328	116 €
IN	B580-788	Unslotted waste 1¼", enamelled, Daylight	p. 328	116 €
IN	B580-791	Unslotted waste 1¼", enamelled, Forest	p. 328	116 €

Technical information and prices of additional BetteExtras on page 256. You will find the colours in the cover. Subject to alteration and production tolerance. Prices excluding VAT.

BetteComodo Built-In



Recommended taps:
spout projection: ca. 183 mm from centre of taphole



Recommended taps:
spout projection: distance to wall x mm + ca. 238 mm from outer edge



Information

For our washbasins we recommend the unslotted waste 1/4" B580- with a chrome or colour enamelled outlet cover.

Download note

Template for cutout can be downloaded at www.my-bette.com

Scope of delivery

Including fixing materials

Including noise-reducing pads.

Design: Tesseraux + Partner

Dimensions

article no.	dimensions in mm	Tapholes	A	D
A215	600 × 495 × 120		600	534
A215 HLW1	600 × 495 × 120	o	600	534
A216	800 × 495 × 120		800	734
A216 HLW1	800 × 495 × 120	o	800	734

Dimensions

PG	article no.	dimensions in mm	Tapholes	weight (net)	White 000 → cover	Key Colours → cover	Bespoke Colours → cover
ES	A215	600 × 495 × 120		7 kg	415 €	516 €	626 €
ES	A215 HLW1	600 × 495 × 120	o	7 kg	415 €	516 €	626 €
ES	A216	800 × 495 × 120		9.5 kg	450 €	551 €	661 €
ES	A216 HLW1	800 × 495 × 120	o	9.5 kg	450 €	551 €	661 €

Extras

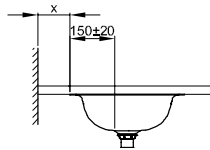
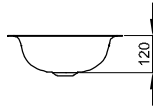
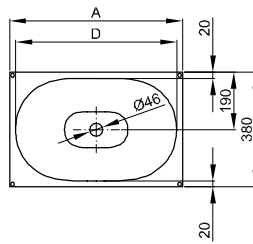
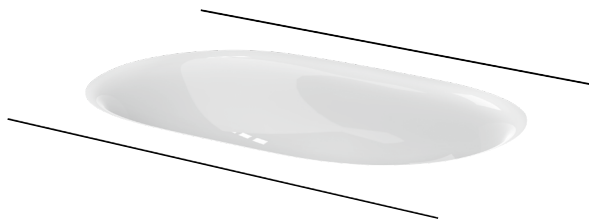
PG	code	description	see	price
EX	PW	BetteGlaze® Plus for washbasin	p. 260	58 €
EX	HLZ	Tapholes and drilling as per special drawing	p. 261	203 €
EX	HLW3	Drilling for 3-hole-tap	p. 261	82 €
EX	mUeL	with overflow		without surcharge

Accessories

PG	article no.	description	see	price
IN	B580-901	Unslotted waste 1/4", Chrome	p. 328	72 €
IN	B580-000	Unslotted waste 1/4", enamelled, White	p. 328	116 €
IN	B580-001	Unslotted waste 1/4", enamelled, Pergamon	p. 328	116 €
IN	B580-002	Unslotted waste 1/4", enamelled, Manhattan	p. 328	116 €
IN	B580-003	Unslotted waste 1/4", enamelled, Bahama beige	p. 328	116 €
IN	B580-004	Unslotted waste 1/4", enamelled, Edelweiss	p. 328	116 €
IN	B580-006	Unslotted waste 1/4", enamelled, Jasmin	p. 328	116 €
IN	B580-008	Unslotted waste 1/4", enamelled, Flanel	p. 328	116 €
IN	B580-016	Unslotted waste 1/4", enamelled, Moss green	p. 328	116 €
IN	B580-035	Unslotted waste 1/4", enamelled, Ebony	p. 328	116 €
IN	B580-040	Unslotted waste 1/4", enamelled, Curry	p. 328	116 €
IN	B580-056	Unslotted waste 1/4", enamelled, Black	p. 328	116 €
IN	B580-115	Unslotted waste 1/4", enamelled, Evergreen	p. 328	116 €
IN	B580-124	Unslotted waste 1/4", enamelled, Violet	p. 328	116 €
IN	B580-287	Unslotted waste 1/4", enamelled, Starwhite	p. 328	116 €
IN	B580-307	Unslotted waste 1/4", enamelled, Salvia	p. 328	116 €
IN	B580-400	Unslotted waste 1/4", enamelled, Raven	p. 328	116 €
IN	B580-401	Unslotted waste 1/4", enamelled, Anthracite	p. 328	116 €
IN	B580-402	Unslotted waste 1/4", enamelled, Slate	p. 328	116 €
IN	B580-403	Unslotted waste 1/4", enamelled, Smoke	p. 328	116 €
IN	B580-404	Unslotted waste 1/4", enamelled, Graphite	p. 328	116 €
IN	B580-410	Unslotted waste 1/4", enamelled, Silver	p. 328	116 €
IN	B580-412	Unslotted waste 1/4", enamelled, Quartz	p. 328	116 €
IN	B580-413	Unslotted waste 1/4", enamelled, Dust	p. 328	116 €
IN	B580-414	Unslotted waste 1/4", enamelled, Flint	p. 328	116 €
IN	B580-415	Unslotted waste 1/4", enamelled, Cashmere	p. 328	116 €
IN	B580-416	Unslotted waste 1/4", enamelled, Stone	p. 328	116 €
IN	B580-417	Unslotted waste 1/4", enamelled, Hazel	p. 328	116 €
IN	B580-422	Unslotted waste 1/4", enamelled, Beige	p. 328	116 €
IN	B580-423	Unslotted waste 1/4", enamelled, Flax	p. 328	116 €
IN	B580-424	Unslotted waste 1/4", enamelled, Sand	p. 328	116 €
IN	B580-425	Unslotted waste 1/4", enamelled, Greige	p. 328	116 €
IN	B580-440	Unslotted waste 1/4", enamelled, Snow	p. 328	116 €
IN	B580-441	Unslotted waste 1/4", enamelled, Cream	p. 328	116 €
IN	B580-418	Unslotted waste 1/4", enamelled, Blue Satin	p. 328	116 €
IN	B580-790	Unslotted waste 1/4", enamelled, Midnight	p. 328	116 €
IN	B580-788	Unslotted waste 1/4", enamelled, Daylight	p. 328	116 €
IN	B580-791	Unslotted waste 1/4", enamelled, Forest	p. 328	116 €
IN	B616-901	Waste and overflow fitting BetteFlow, Chrome*	p. 331	92 €
IN	B616-000	Waste and overflow fitting BetteFlow, White*	p. 331	104 €

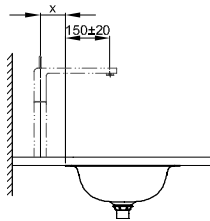
* For washbasins with tapholes. Activated by a lever on the washbasin fitting

BetteComodo Undermounted



Recommended taps:

spout projection: distance to wall x mm + ca. 150 mm from outer edge



Recommended taps:

spout projection: distance tap x mm + ca. 150 mm from outer edge



Information

For our washbasins we recommend the unslotted waste 1/4" B580- with a chrome or colour enamelled outlet cover.

Download note

Template for cutout can be downloaded at www.my-bette.com

Scope of delivery

Including noise-reducing pads.

Design: Tesseraux + Partner

Dimensions

article no.	dimensions in mm	A	D
A217	574 x 380 x 120	574	534
A218	774 x 380 x 120	774	734

Dimensions

PG	article no.	dimensions in mm	weight (net)	White 000 → cover	Key Colours → cover	Bespoke Colours → cover
ES	A217	574 × 380 × 120	4.8 kg	496 €	597 €	707 €
ES	A218	774 × 380 × 120	6.5 kg	519 €	620 €	730 €

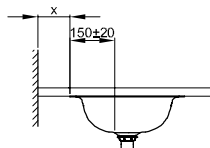
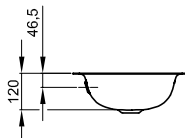
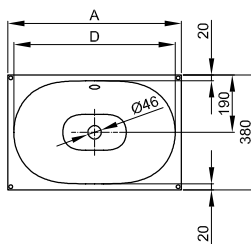
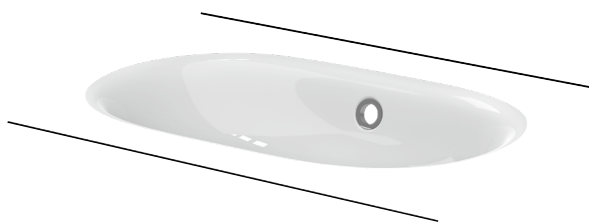
Extras

PG	code	description	see	price
EX	PW	BetteGlaze® Plus for washbasin	p. 260	58 €

Accessories

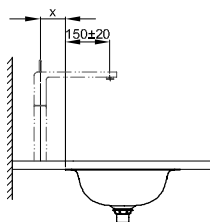
PG	article no.	description	see	price
IN	B580-901	Unslotted waste 1¼", Chrome	p. 328	72 €
IN	B580-000	Unslotted waste 1¼", enamelled, White	p. 328	116 €
IN	B580-001	Unslotted waste 1¼", enamelled, Pergamon	p. 328	116 €
IN	B580-002	Unslotted waste 1¼", enamelled, Manhatten	p. 328	116 €
IN	B580-003	Unslotted waste 1¼", enamelled, Bahama beige	p. 328	116 €
IN	B580-004	Unslotted waste 1¼", enamelled, Edelweiss	p. 328	116 €
IN	B580-006	Unslotted waste 1¼", enamelled, Jasmin	p. 328	116 €
IN	B580-008	Unslotted waste 1¼", enamelled, Flanell	p. 328	116 €
IN	B580-016	Unslotted waste 1¼", enamelled, Moss green	p. 328	116 €
IN	B580-035	Unslotted waste 1¼", enamelled, Ebony	p. 328	116 €
IN	B580-040	Unslotted waste 1¼", enamelled, Curry	p. 328	116 €
IN	B580-056	Unslotted waste 1¼", enamelled, Black	p. 328	116 €
IN	B580-115	Unslotted waste 1¼", enamelled, Evergreen	p. 328	116 €
IN	B580-124	Unslotted waste 1¼", enamelled, Violet	p. 328	116 €
IN	B580-287	Unslotted waste 1¼", enamelled, Starwhite	p. 328	116 €
IN	B580-307	Unslotted waste 1¼", enamelled, Salvia	p. 328	116 €
IN	B580-400	Unslotted waste 1¼", enamelled, Raven	p. 328	116 €
IN	B580-401	Unslotted waste 1¼", enamelled, Anthracite	p. 328	116 €
IN	B580-402	Unslotted waste 1¼", enamelled, Slate	p. 328	116 €
IN	B580-403	Unslotted waste 1¼", enamelled, Smoke	p. 328	116 €
IN	B580-404	Unslotted waste 1¼", enamelled, Graphite	p. 328	116 €
IN	B580-410	Unslotted waste 1¼", enamelled, Silver	p. 328	116 €
IN	B580-412	Unslotted waste 1¼", enamelled, Quartz	p. 328	116 €
IN	B580-413	Unslotted waste 1¼", enamelled, Dust	p. 328	116 €
IN	B580-414	Unslotted waste 1¼", enamelled, Flint	p. 328	116 €
IN	B580-415	Unslotted waste 1¼", enamelled, Cashmere	p. 328	116 €
IN	B580-416	Unslotted waste 1¼", enamelled, Stone	p. 328	116 €
IN	B580-417	Unslotted waste 1¼", enamelled, Hazel	p. 328	116 €
IN	B580-422	Unslotted waste 1¼", enamelled, Beige	p. 328	116 €
IN	B580-423	Unslotted waste 1¼", enamelled, Flax	p. 328	116 €
IN	B580-424	Unslotted waste 1¼", enamelled, Sand	p. 328	116 €
IN	B580-425	Unslotted waste 1¼", enamelled, Greige	p. 328	116 €
IN	B580-440	Unslotted waste 1¼", enamelled, Snow	p. 328	116 €
IN	B580-441	Unslotted waste 1¼", enamelled, Cream	p. 328	116 €
IN	B580-418	Unslotted waste 1¼", enamelled, Blue Satin	p. 328	116 €
IN	B580-790	Unslotted waste 1¼", enamelled, Midnight	p. 328	116 €
IN	B580-788	Unslotted waste 1¼", enamelled, Daylight	p. 328	116 €
IN	B580-791	Unslotted waste 1¼", enamelled, Forest	p. 328	116 €

BetteComodo Undermounted with overflow



Recommended taps:

spout projection: distance to wall x mm + ca. 150 mm from outer edge



Recommended taps:

spout projection: distance tap x mm + ca. 150 mm from outer edge

Download note

Template for cutout can be downloaded at www.my-bette.com

Scope of delivery

Including noise-reducing pads.

Including overflow fitting, chrome.

Design: Tesseraux + Partner

Dimensions

article no.	dimensions in mm	A	D
A217 mUeL	574 x 380 x 120	574	534
A218 mUeL	774 x 380 x 120	774	734

Dimensions

PG	article no.	dimensions in mm	weight (net)	White 000 → cover	Key Colours → cover	Bespoke Colours → cover
ES	A217 mUeL	574 × 380 × 120	4.8 kg	496 €	597 €	707 €
ES	A218 mUeL	774 × 380 × 120	6.5 kg	519 €	620 €	730 €

Please note the ordering information on page 5, in particular the position of the colour number.

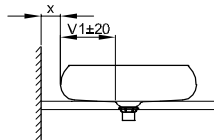
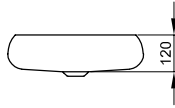
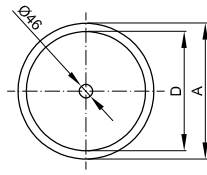
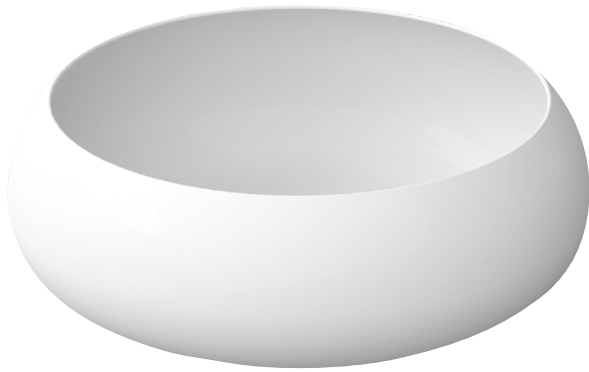
Extras

PG	code	description	see	price
EX	PW	BetteGlaze® Plus for washbasin	p. 260	58 €

Accessories

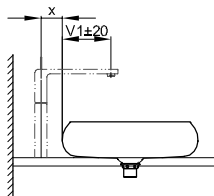
PG	article no.	description	see	price
IN	B581-000	Pushwaste 1 ¼ ", White varnished	p. 330	118 €
IN	B581-901	Pushwaste 1 ¼ ", Chrome	p. 330	92 €

BetteCraft Shell



Recommended taps:

spout projection: distance to wall x mm + dimension $V1$ from outer edge



Recommended taps:

spout projection: distance tap x mm + dimension $V1$ from outer edge



Information

For our washbasins we recommend the unslotted waste 1¼" B580- with a chrome or colour enamelled outlet cover.

Download note

Template for cutout can be downloaded at www.my-bette.com

Scope of delivery

Including noise-reducing pads.

Design: Tesseraux + Partner



Dimensions

article no.	dimensions in mm	A	D	V1
A240	350 x 350 x 120	350	295	130
A241	450 x 450 x 120	450	395	180

Dimensions

PG	article no.	dimensions in mm	weight (net)	White 000 → cover	Key Colours → cover	Bespoke Colours → cover
ES	A240	350 x 350 x 120	4.5 kg	762 €	863 €	973 €
ES	A241	450 x 450 x 120	6.5 kg	800 €	901 €	1.011 €

Extras

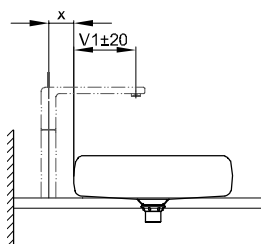
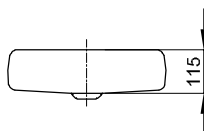
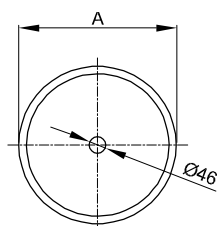
PG	code	description	see	price
EX	PW	BetteGlaze® Plus for washbasin	p. 260	58 €

Accessories

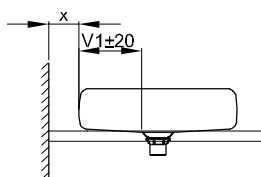
PG	article no.	description	see	price
IN	B580-901	Unslotted waste 1¼", Chrome	p. 328	72 €
IN	B580-000	Unslotted waste 1¼", enamelled, White	p. 328	116 €
IN	B580-001	Unslotted waste 1¼", enamelled, Pergamon	p. 328	116 €
IN	B580-002	Unslotted waste 1¼", enamelled, Manhatten	p. 328	116 €
IN	B580-003	Unslotted waste 1¼", enamelled, Bahama beige	p. 328	116 €
IN	B580-004	Unslotted waste 1¼", enamelled, Edelweiss	p. 328	116 €
IN	B580-006	Unslotted waste 1¼", enamelled, Jasmin	p. 328	116 €
IN	B580-008	Unslotted waste 1¼", enamelled, Flanell	p. 328	116 €
IN	B580-016	Unslotted waste 1¼", enamelled, Moss green	p. 328	116 €
IN	B580-035	Unslotted waste 1¼", enamelled, Ebony	p. 328	116 €
IN	B580-040	Unslotted waste 1¼", enamelled, Curry	p. 328	116 €
IN	B580-056	Unslotted waste 1¼", enamelled, Black	p. 328	116 €
IN	B580-115	Unslotted waste 1¼", enamelled, Evergreen	p. 328	116 €
IN	B580-124	Unslotted waste 1¼", enamelled, Violet	p. 328	116 €
IN	B580-287	Unslotted waste 1¼", enamelled, Starwhite	p. 328	116 €
IN	B580-307	Unslotted waste 1¼", enamelled, Salvia	p. 328	116 €
IN	B580-400	Unslotted waste 1¼", enamelled, Raven	p. 328	116 €
IN	B580-401	Unslotted waste 1¼", enamelled, Anthracite	p. 328	116 €
IN	B580-402	Unslotted waste 1¼", enamelled, Slate	p. 328	116 €
IN	B580-403	Unslotted waste 1¼", enamelled, Smoke	p. 328	116 €
IN	B580-404	Unslotted waste 1¼", enamelled, Graphite	p. 328	116 €
IN	B580-410	Unslotted waste 1¼", enamelled, Silver	p. 328	116 €
IN	B580-412	Unslotted waste 1¼", enamelled, Quartz	p. 328	116 €
IN	B580-413	Unslotted waste 1¼", enamelled, Dust	p. 328	116 €
IN	B580-414	Unslotted waste 1¼", enamelled, Flint	p. 328	116 €
IN	B580-415	Unslotted waste 1¼", enamelled, Cashmere	p. 328	116 €
IN	B580-416	Unslotted waste 1¼", enamelled, Stone	p. 328	116 €
IN	B580-417	Unslotted waste 1¼", enamelled, Hazel	p. 328	116 €
IN	B580-422	Unslotted waste 1¼", enamelled, Beige	p. 328	116 €
IN	B580-423	Unslotted waste 1¼", enamelled, Flax	p. 328	116 €
IN	B580-424	Unslotted waste 1¼", enamelled, Sand	p. 328	116 €
IN	B580-425	Unslotted waste 1¼", enamelled, Greige	p. 328	116 €
IN	B580-440	Unslotted waste 1¼", enamelled, Snow	p. 328	116 €
IN	B580-441	Unslotted waste 1¼", enamelled, Cream	p. 328	116 €
IN	B580-418	Unslotted waste 1¼", enamelled, Blue Satin	p. 328	116 €
IN	B580-790	Unslotted waste 1¼", enamelled, Midnight	p. 328	116 €
IN	B580-788	Unslotted waste 1¼", enamelled, Daylight	p. 328	116 €
IN	B580-791	Unslotted waste 1¼", enamelled, Forest	p. 328	116 €

Technical information and prices of additional BetteExtras on page 256. You will find the colours in the cover. Subject to alteration and production tolerance. Prices excluding VAT.

BetteCurve Shell



Dimensions for installation and connection:



Dimensions for installation and connection:

Information

For our washbasins we recommend the unslotted waste 1/4" B580- with a chrome or colour enamelled outlet cover.

Download note

Template for cutout can be downloaded at www.my-bette.com

Scope of delivery

Including noise-reducing pads.

Design: Tesseraux + Partner



Dimensions

article no.	dimensions in mm	A	V1
A244	320 x 320 x 115	320	115
A245	420 x 420 x 115	420	165

Dimensions

PG	article no.	dimensions in mm	weight (net)	White 000 → cover	Key Colours → cover	Bespoke Colours → cover
ES	A244	320 x 320 x 115	4.1 kg	669 €	770 €	880 €
ES	A245	420 x 420 x 115	6.1 kg	727 €	828 €	938 €

Extras

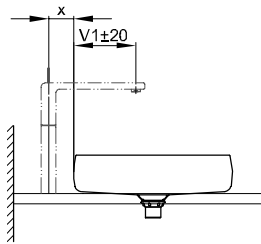
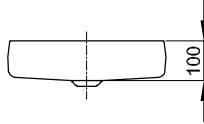
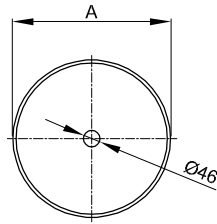
PG	code	description	see	price
EX	PW	BetteGlaze® Plus for washbasin	p. 260	58 €

Accessories

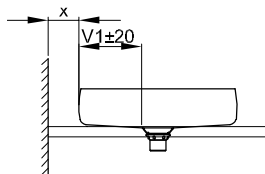
PG	article no.	description	see	price
IN	B580-901	Unslotted waste 1¼", Chrome	p. 328	72 €
IN	B580-000	Unslotted waste 1¼", enamelled, White	p. 328	116 €
IN	B580-001	Unslotted waste 1¼", enamelled, Pergamon	p. 328	116 €
IN	B580-002	Unslotted waste 1¼", enamelled, Manhatten	p. 328	116 €
IN	B580-003	Unslotted waste 1¼", enamelled, Bahama beige	p. 328	116 €
IN	B580-004	Unslotted waste 1¼", enamelled, Edelweiss	p. 328	116 €
IN	B580-006	Unslotted waste 1¼", enamelled, Jasmin	p. 328	116 €
IN	B580-008	Unslotted waste 1¼", enamelled, Flanell	p. 328	116 €
IN	B580-016	Unslotted waste 1¼", enamelled, Moss green	p. 328	116 €
IN	B580-035	Unslotted waste 1¼", enamelled, Ebony	p. 328	116 €
IN	B580-040	Unslotted waste 1¼", enamelled, Curry	p. 328	116 €
IN	B580-056	Unslotted waste 1¼", enamelled, Black	p. 328	116 €
IN	B580-115	Unslotted waste 1¼", enamelled, Evergreen	p. 328	116 €
IN	B580-124	Unslotted waste 1¼", enamelled, Violet	p. 328	116 €
IN	B580-287	Unslotted waste 1¼", enamelled, Starwhite	p. 328	116 €
IN	B580-307	Unslotted waste 1¼", enamelled, Salvia	p. 328	116 €
IN	B580-400	Unslotted waste 1¼", enamelled, Raven	p. 328	116 €
IN	B580-401	Unslotted waste 1¼", enamelled, Anthracite	p. 328	116 €
IN	B580-402	Unslotted waste 1¼", enamelled, Slate	p. 328	116 €
IN	B580-403	Unslotted waste 1¼", enamelled, Smoke	p. 328	116 €
IN	B580-404	Unslotted waste 1¼", enamelled, Graphite	p. 328	116 €
IN	B580-410	Unslotted waste 1¼", enamelled, Silver	p. 328	116 €
IN	B580-412	Unslotted waste 1¼", enamelled, Quartz	p. 328	116 €
IN	B580-413	Unslotted waste 1¼", enamelled, Dust	p. 328	116 €
IN	B580-414	Unslotted waste 1¼", enamelled, Flint	p. 328	116 €
IN	B580-415	Unslotted waste 1¼", enamelled, Cashmere	p. 328	116 €
IN	B580-416	Unslotted waste 1¼", enamelled, Stone	p. 328	116 €
IN	B580-417	Unslotted waste 1¼", enamelled, Hazel	p. 328	116 €
IN	B580-422	Unslotted waste 1¼", enamelled, Beige	p. 328	116 €
IN	B580-423	Unslotted waste 1¼", enamelled, Flax	p. 328	116 €
IN	B580-424	Unslotted waste 1¼", enamelled, Sand	p. 328	116 €
IN	B580-425	Unslotted waste 1¼", enamelled, Greige	p. 328	116 €
IN	B580-440	Unslotted waste 1¼", enamelled, Snow	p. 328	116 €
IN	B580-441	Unslotted waste 1¼", enamelled, Cream	p. 328	116 €
IN	B580-418	Unslotted waste 1¼", enamelled, Blue Satin	p. 328	116 €
IN	B580-790	Unslotted waste 1¼", enamelled, Midnight	p. 328	116 €
IN	B580-788	Unslotted waste 1¼", enamelled, Daylight	p. 328	116 €
IN	B580-791	Unslotted waste 1¼", enamelled, Forest	p. 328	116 €

Technical information and prices of additional BetteExtras on page 256. You will find the colours in the cover. Subject to alteration and production tolerance. Prices excluding VAT.

BetteLiv Shell



Dimensions for installation and connection:



Dimensions for installation and connection:

Information

For our washbasins we recommend the unslotted waste 1¼" B580- with a chrome or colour enamelled outlet cover.

Download note

Template for cutout can be downloaded at www.my-bette.com

Scope of delivery

Including noise-reducing pads.

Design: Tesseraux + Partner



Dimensions

article no.	dimensions in mm	A	V1
A242	320 x 320 x 100	320	115
A243	420 x 420 x 100	420	165

Dimensions

PG	article no.	dimensions in mm	weight (net)	White 000 → cover	Key Colours → cover	Bespoke Colours → cover
ES	A242	320 x 320 x 100	3.7 kg	405 €	506 €	616 €
ES	A243	420 x 420 x 100	5.6 kg	475 €	576 €	686 €

Extras

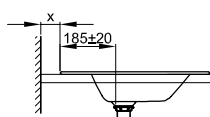
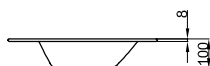
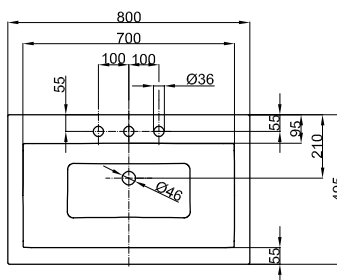
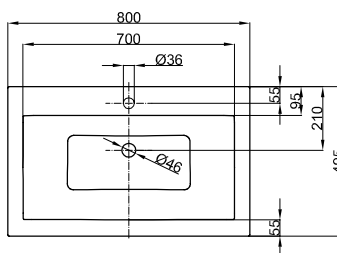
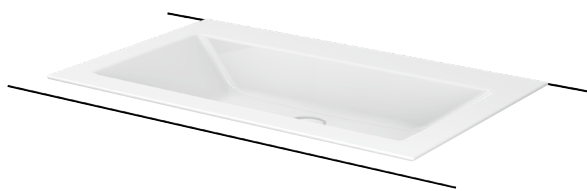
PG	code	description	see	price
EX	PW	BetteGlaze® Plus for washbasin	p. 260	58 €

Accessories

PG	article no.	description	see	price
IN	B580-901	Unslotted waste 1¼", Chrome	p. 328	72 €
IN	B580-000	Unslotted waste 1¼", enamelled, White	p. 328	116 €
IN	B580-001	Unslotted waste 1¼", enamelled, Pergamon	p. 328	116 €
IN	B580-002	Unslotted waste 1¼", enamelled, Manhatten	p. 328	116 €
IN	B580-003	Unslotted waste 1¼", enamelled, Bahama beige	p. 328	116 €
IN	B580-004	Unslotted waste 1¼", enamelled, Edelweiss	p. 328	116 €
IN	B580-006	Unslotted waste 1¼", enamelled, Jasmin	p. 328	116 €
IN	B580-008	Unslotted waste 1¼", enamelled, Flanell	p. 328	116 €
IN	B580-016	Unslotted waste 1¼", enamelled, Moss green	p. 328	116 €
IN	B580-035	Unslotted waste 1¼", enamelled, Ebony	p. 328	116 €
IN	B580-040	Unslotted waste 1¼", enamelled, Curry	p. 328	116 €
IN	B580-056	Unslotted waste 1¼", enamelled, Black	p. 328	116 €
IN	B580-115	Unslotted waste 1¼", enamelled, Evergreen	p. 328	116 €
IN	B580-124	Unslotted waste 1¼", enamelled, Violet	p. 328	116 €
IN	B580-287	Unslotted waste 1¼", enamelled, Starwhite	p. 328	116 €
IN	B580-307	Unslotted waste 1¼", enamelled, Salvia	p. 328	116 €
IN	B580-400	Unslotted waste 1¼", enamelled, Raven	p. 328	116 €
IN	B580-401	Unslotted waste 1¼", enamelled, Anthracite	p. 328	116 €
IN	B580-402	Unslotted waste 1¼", enamelled, Slate	p. 328	116 €
IN	B580-403	Unslotted waste 1¼", enamelled, Smoke	p. 328	116 €
IN	B580-404	Unslotted waste 1¼", enamelled, Graphite	p. 328	116 €
IN	B580-410	Unslotted waste 1¼", enamelled, Silver	p. 328	116 €
IN	B580-412	Unslotted waste 1¼", enamelled, Quartz	p. 328	116 €
IN	B580-413	Unslotted waste 1¼", enamelled, Dust	p. 328	116 €
IN	B580-414	Unslotted waste 1¼", enamelled, Flint	p. 328	116 €
IN	B580-415	Unslotted waste 1¼", enamelled, Cashmere	p. 328	116 €
IN	B580-416	Unslotted waste 1¼", enamelled, Stone	p. 328	116 €
IN	B580-417	Unslotted waste 1¼", enamelled, Hazel	p. 328	116 €
IN	B580-422	Unslotted waste 1¼", enamelled, Beige	p. 328	116 €
IN	B580-423	Unslotted waste 1¼", enamelled, Flax	p. 328	116 €
IN	B580-424	Unslotted waste 1¼", enamelled, Sand	p. 328	116 €
IN	B580-425	Unslotted waste 1¼", enamelled, Greige	p. 328	116 €
IN	B580-440	Unslotted waste 1¼", enamelled, Snow	p. 328	116 €
IN	B580-441	Unslotted waste 1¼", enamelled, Cream	p. 328	116 €
IN	B580-418	Unslotted waste 1¼", enamelled, Blue Satin	p. 328	116 €
IN	B580-790	Unslotted waste 1¼", enamelled, Midnight	p. 328	116 €
IN	B580-788	Unslotted waste 1¼", enamelled, Daylight	p. 328	116 €
IN	B580-791	Unslotted waste 1¼", enamelled, Forest	p. 328	116 €

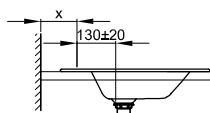
Technical information and prices of additional BetteExtras on page 256. You will find the colours in the cover. Subject to alteration and production tolerance. Prices excluding VAT.

BetteLoft Built-In



Recommended taps:

Spout projection: distance to wall x mm + ca. 185 mm from outer edge



Recommended taps:

distance to wall x mm + ca. 130 mm from centre of tap hole

Information

For our washbasins we recommend the unslotted waste 1¼" B580- with a chrome or colour enamelled outlet cover.

Download note

Template for cutout can be downloaded at www.my-bette.com

Scope of delivery

Including fixing materials

Including noise-reducing pads.

Design: Tesseraux + Partner

Dimensions

article no.	dimensions in mm	Tapholes
A230	800 x 495 x 100	
A230 HLW1	800 x 495 x 100	o

Dimensions

PG	article no.	dimensions in mm	Tapholes	weight (net)	White 000 → cover	Key Colours → cover	Bespoke Colours → cover
ES	A230	800 × 495 × 100		8 kg	744 €	845 €	955 €
ES	A230 HLW1	800 × 495 × 100	o	8 kg	744 €	845 €	955 €

Please note the ordering information on page 5, in particular the position of the colour number.

Extras

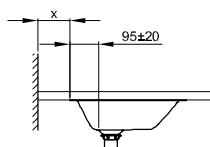
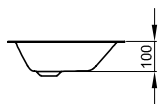
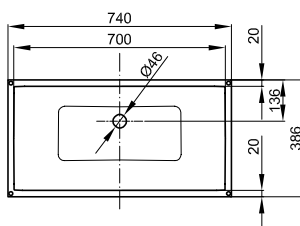
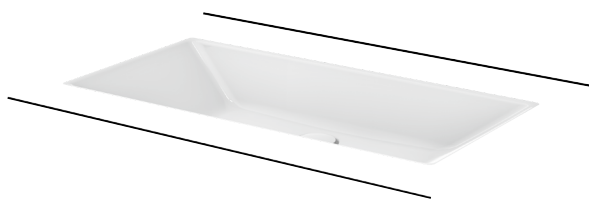
PG	code	description	see	price
EX	PW	BetteGlaze® Plus for washbasin	p. 260	58 €
EX	HLZ	Tapholes and drilling as per special drawing	p. 261	203 €
EX	HLW3	Drilling for 3-hole-tap	p. 261	82 €

Accessories

PG	article no.	description	see	price
IN	B580-901	Unslotted waste 1¼", Chrome	p. 328	72 €
IN	B580-000	Unslotted waste 1¼", enamelled, White	p. 328	116 €
IN	B580-001	Unslotted waste 1¼", enamelled, Pergamon	p. 328	116 €
IN	B580-002	Unslotted waste 1¼", enamelled, Manhattan	p. 328	116 €
IN	B580-003	Unslotted waste 1¼", enamelled, Bahama beige	p. 328	116 €
IN	B580-004	Unslotted waste 1¼", enamelled, Edelweiss	p. 328	116 €
IN	B580-006	Unslotted waste 1¼", enamelled, Jasmin	p. 328	116 €
IN	B580-008	Unslotted waste 1¼", enamelled, Flanell	p. 328	116 €
IN	B580-016	Unslotted waste 1¼", enamelled, Moss green	p. 328	116 €
IN	B580-035	Unslotted waste 1¼", enamelled, Ebony	p. 328	116 €
IN	B580-040	Unslotted waste 1¼", enamelled, Curry	p. 328	116 €
IN	B580-056	Unslotted waste 1¼", enamelled, Black	p. 328	116 €
IN	B580-115	Unslotted waste 1¼", enamelled, Evergreen	p. 328	116 €
IN	B580-124	Unslotted waste 1¼", enamelled, Violet	p. 328	116 €
IN	B580-287	Unslotted waste 1¼", enamelled, Starwhite	p. 328	116 €
IN	B580-307	Unslotted waste 1¼", enamelled, Salvia	p. 328	116 €
IN	B580-400	Unslotted waste 1¼", enamelled, Raven	p. 328	116 €
IN	B580-401	Unslotted waste 1¼", enamelled, Anthracite	p. 328	116 €
IN	B580-402	Unslotted waste 1¼", enamelled, Slate	p. 328	116 €
IN	B580-403	Unslotted waste 1¼", enamelled, Smoke	p. 328	116 €
IN	B580-404	Unslotted waste 1¼", enamelled, Graphite	p. 328	116 €
IN	B580-410	Unslotted waste 1¼", enamelled, Silver	p. 328	116 €
IN	B580-412	Unslotted waste 1¼", enamelled, Quartz	p. 328	116 €
IN	B580-413	Unslotted waste 1¼", enamelled, Dust	p. 328	116 €
IN	B580-414	Unslotted waste 1¼", enamelled, Flint	p. 328	116 €
IN	B580-415	Unslotted waste 1¼", enamelled, Cashmere	p. 328	116 €
IN	B580-416	Unslotted waste 1¼", enamelled, Stone	p. 328	116 €
IN	B580-417	Unslotted waste 1¼", enamelled, Hazel	p. 328	116 €
IN	B580-422	Unslotted waste 1¼", enamelled, Beige	p. 328	116 €
IN	B580-423	Unslotted waste 1¼", enamelled, Flax	p. 328	116 €
IN	B580-424	Unslotted waste 1¼", enamelled, Sand	p. 328	116 €
IN	B580-425	Unslotted waste 1¼", enamelled, Greige	p. 328	116 €
IN	B580-440	Unslotted waste 1¼", enamelled, Snow	p. 328	116 €
IN	B580-441	Unslotted waste 1¼", enamelled, Cream	p. 328	116 €
IN	B580-418	Unslotted waste 1¼", enamelled, Blue Satin	p. 328	116 €
IN	B580-790	Unslotted waste 1¼", enamelled, Midnight	p. 328	116 €
IN	B580-788	Unslotted waste 1¼", enamelled, Daylight	p. 328	116 €
IN	B580-791	Unslotted waste 1¼", enamelled, Forest	p. 328	116 €
IN	B616-901	Waste and overflow fitting BetteFlow, Chrome*	p. 331	92 €
IN	B616-000	Waste and overflow fitting BetteFlow, White*	p. 331	104 €

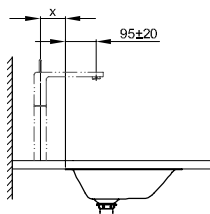
* For washbasins with tapholes. Activated by a lever on the washbasin fitting

BetteLoft Undermounted



Recommended taps:

spout projection: distance to wall x mm + ca. 95 mm from outer edge



Recommended taps:

spout projection: distance tap x mm + ca. 95 mm from outer edge

Information

For our washbasins we recommend the unslotted waste 1¼" B580- with a chrome or colour enamelled outlet cover.

Download note

Template for cutout can be downloaded at www.my-bette.com

Scope of delivery

Including noise-reducing pads.

Design: Tesseraux + Partner

Dimensions

article no.

A231

dimensions in mm

740 x 386 x 100

Dimensions

PG	article no.	dimensions in mm	weight (net)	White 000 → cover	Key Colours → cover	Bespoke Colours → cover
ES	A231	740 × 386 × 100	5.8 kg	519 €	620 €	730 €

Extras

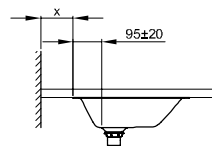
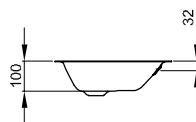
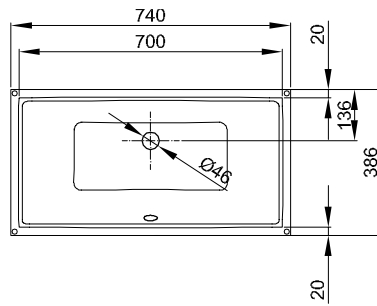
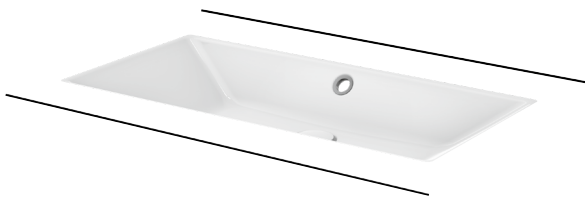
PG	code	description	see	price
EX	PW	BetteGlaze® Plus for washbasin	p. 260	58 €

Accessories

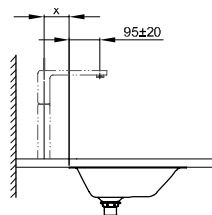
PG	article no.	description	see	price
IN	B580-901	Unslotted waste 1¼", Chrome	p. 328	72 €
IN	B580-000	Unslotted waste 1¼", enamelled, White	p. 328	116 €
IN	B580-001	Unslotted waste 1¼", enamelled, Pergamon	p. 328	116 €
IN	B580-002	Unslotted waste 1¼", enamelled, Manhattan	p. 328	116 €
IN	B580-003	Unslotted waste 1¼", enamelled, Bahama beige	p. 328	116 €
IN	B580-004	Unslotted waste 1¼", enamelled, Edelweiss	p. 328	116 €
IN	B580-006	Unslotted waste 1¼", enamelled, Jasmin	p. 328	116 €
IN	B580-008	Unslotted waste 1¼", enamelled, Flanell	p. 328	116 €
IN	B580-016	Unslotted waste 1¼", enamelled, Moss green	p. 328	116 €
IN	B580-035	Unslotted waste 1¼", enamelled, Ebony	p. 328	116 €
IN	B580-040	Unslotted waste 1¼", enamelled, Curry	p. 328	116 €
IN	B580-056	Unslotted waste 1¼", enamelled, Black	p. 328	116 €
IN	B580-115	Unslotted waste 1¼", enamelled, Evergreen	p. 328	116 €
IN	B580-124	Unslotted waste 1¼", enamelled, Violet	p. 328	116 €
IN	B580-287	Unslotted waste 1¼", enamelled, Starwhite	p. 328	116 €
IN	B580-307	Unslotted waste 1¼", enamelled, Salvia	p. 328	116 €
IN	B580-400	Unslotted waste 1¼", enamelled, Raven	p. 328	116 €
IN	B580-401	Unslotted waste 1¼", enamelled, Anthracite	p. 328	116 €
IN	B580-402	Unslotted waste 1¼", enamelled, Slate	p. 328	116 €
IN	B580-403	Unslotted waste 1¼", enamelled, Smoke	p. 328	116 €
IN	B580-404	Unslotted waste 1¼", enamelled, Graphite	p. 328	116 €
IN	B580-410	Unslotted waste 1¼", enamelled, Silver	p. 328	116 €
IN	B580-412	Unslotted waste 1¼", enamelled, Quartz	p. 328	116 €
IN	B580-413	Unslotted waste 1¼", enamelled, Dust	p. 328	116 €
IN	B580-414	Unslotted waste 1¼", enamelled, Flint	p. 328	116 €
IN	B580-415	Unslotted waste 1¼", enamelled, Cashmere	p. 328	116 €
IN	B580-416	Unslotted waste 1¼", enamelled, Stone	p. 328	116 €
IN	B580-417	Unslotted waste 1¼", enamelled, Hazel	p. 328	116 €
IN	B580-422	Unslotted waste 1¼", enamelled, Beige	p. 328	116 €
IN	B580-423	Unslotted waste 1¼", enamelled, Flax	p. 328	116 €
IN	B580-424	Unslotted waste 1¼", enamelled, Sand	p. 328	116 €
IN	B580-425	Unslotted waste 1¼", enamelled, Greige	p. 328	116 €
IN	B580-440	Unslotted waste 1¼", enamelled, Snow	p. 328	116 €
IN	B580-441	Unslotted waste 1¼", enamelled, Cream	p. 328	116 €
IN	B580-418	Unslotted waste 1¼", enamelled, Blue Satin	p. 328	116 €
IN	B580-790	Unslotted waste 1¼", enamelled, Midnight	p. 328	116 €
IN	B580-788	Unslotted waste 1¼", enamelled, Daylight	p. 328	116 €
IN	B580-791	Unslotted waste 1¼", enamelled, Forest	p. 328	116 €

Technical information and prices of additional BetteExtras on page 256. You will find the colours in the cover. Subject to alteration and production tolerance. Prices excluding VAT.

BetteLoft Undermounted with overflow



Recommended taps:
spout projection: distance to wall x mm + ca. 140 mm from outer edge



Recommended taps:
spout projection: distance tap x mm + ca. 140 mm from outer edge

Download note

Template for cutout can be downloaded at www.my-bette.com

Scope of delivery

Including noise-reducing pads.

Including overflow fitting, chrome.

Design: Tesseraux + Partner

Dimensions

article no.
A231 mUeL

dimensions in mm
740 x 386 x 100

Dimensions

PG	article no.	dimensions in mm	weight (net)	White 000 → cover	Key Colours → cover	Bespoke Colours → cover
ES	A231 mUeL	740 × 386 × 100	5.8 kg	519 €	620 €	730 €

Please note the ordering information on page 5, in particular the position of the colour number.

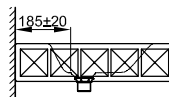
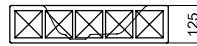
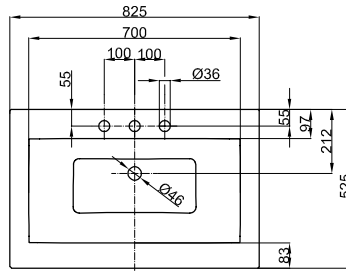
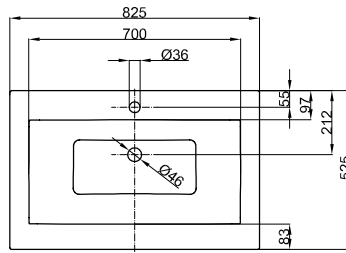
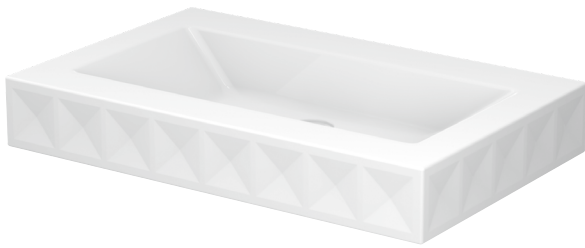
Extras

PG	code	description	see	price
EX	PW	BetteGlaze® Plus for washbasin	p. 260	58 €

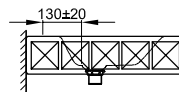
Accessories

PG	article no.	description	see	price
IN	B581-000	Pushwaste 1 ¼ ", White varnished	p. 330	118 €
IN	B581-901	Pushwaste 1 ¼ ", Chrome	p. 330	92 €

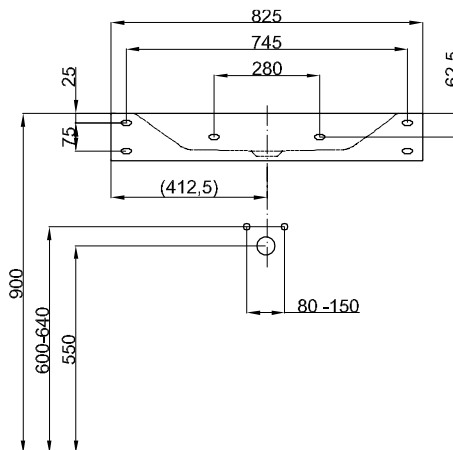
BetteLoft Ornament Wall Mounted, 1 row



Recommended taps:
Spout projection: ca. 185 mm from wall



Recommended taps:
Spout projection: ca. 130 mm from centre of tap hole



Dimensions for installation and connection:

Information

For our washbasins we recommend the unslotted waste 1¼" B580- with a chrome or colour enamelled outlet cover.

Scope of delivery

Including fixing materials

Including noise-reducing pads.

Design: Tesseraux + Partner

Availability

The washbasin BetteLoft Ornament will only be available until 31 December 2026.

Dimensions

article no.	dimensions in mm	Tapholes	A	B
A230 SWV1A	825 × 525 × 100		825	525
A230 SWV1A,HLW1	825 × 525 × 100	o	825	525

Dimensions

PG	article no.	dimensions in mm	Tapholes	weight (net)	White 000 → cover	Key Colours → cover	Bespoke Colours → cover
ES	A230 SWV1A	825 x 525 x 100		13.8 kg	1.223 €	1.324 €	1.434 €
ES	A230 SWV1A,HLW1	825 x 525 x 100	o	13.8 kg	1.223 €	1.324 €	1.434 €

Please note the ordering information on page 5, in particular the position of the colour number.

Extras

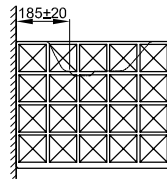
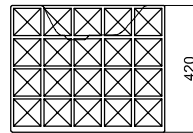
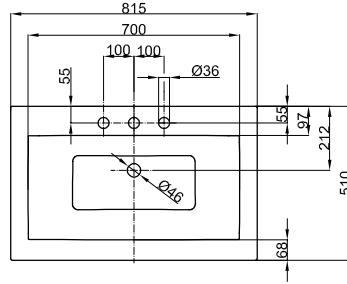
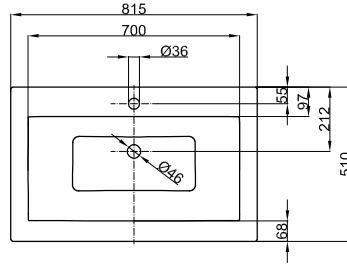
PG	code	description	see	price
EX	PW	BetteGlaze® Plus for washbasin	p. 260	58 €
EX	HLZ	Tapholes and drilling as per special drawing	p. 261	203 €
EX	HLW3	Drilling for 3-hole-tap	p. 261	82 €

Accessories

PG	article no.	description	see	price
IN	B580-901	Unslotted waste 1¼", Chrome	p. 328	72 €
IN	B580-000	Unslotted waste 1¼", enamelled, White	p. 328	116 €
IN	B580-001	Unslotted waste 1¼", enamelled, Pergamon	p. 328	116 €
IN	B580-002	Unslotted waste 1¼", enamelled, Manhattan	p. 328	116 €
IN	B580-003	Unslotted waste 1¼", enamelled, Bahama beige	p. 328	116 €
IN	B580-004	Unslotted waste 1¼", enamelled, Edelweiss	p. 328	116 €
IN	B580-006	Unslotted waste 1¼", enamelled, Jasmin	p. 328	116 €
IN	B580-008	Unslotted waste 1¼", enamelled, Flanell	p. 328	116 €
IN	B580-016	Unslotted waste 1¼", enamelled, Moss green	p. 328	116 €
IN	B580-035	Unslotted waste 1¼", enamelled, Ebony	p. 328	116 €
IN	B580-040	Unslotted waste 1¼", enamelled, Curry	p. 328	116 €
IN	B580-056	Unslotted waste 1¼", enamelled, Black	p. 328	116 €
IN	B580-115	Unslotted waste 1¼", enamelled, Evergreen	p. 328	116 €
IN	B580-124	Unslotted waste 1¼", enamelled, Violet	p. 328	116 €
IN	B580-287	Unslotted waste 1¼", enamelled, Starwhite	p. 328	116 €
IN	B580-307	Unslotted waste 1¼", enamelled, Salvia	p. 328	116 €
IN	B580-400	Unslotted waste 1¼", enamelled, Raven	p. 328	116 €
IN	B580-401	Unslotted waste 1¼", enamelled, Anthracite	p. 328	116 €
IN	B580-402	Unslotted waste 1¼", enamelled, Slate	p. 328	116 €
IN	B580-403	Unslotted waste 1¼", enamelled, Smoke	p. 328	116 €
IN	B580-404	Unslotted waste 1¼", enamelled, Graphite	p. 328	116 €
IN	B580-410	Unslotted waste 1¼", enamelled, Silver	p. 328	116 €
IN	B580-412	Unslotted waste 1¼", enamelled, Quartz	p. 328	116 €
IN	B580-413	Unslotted waste 1¼", enamelled, Dust	p. 328	116 €
IN	B580-414	Unslotted waste 1¼", enamelled, Flint	p. 328	116 €
IN	B580-415	Unslotted waste 1¼", enamelled, Cashmere	p. 328	116 €
IN	B580-416	Unslotted waste 1¼", enamelled, Stone	p. 328	116 €
IN	B580-417	Unslotted waste 1¼", enamelled, Hazel	p. 328	116 €
IN	B580-422	Unslotted waste 1¼", enamelled, Beige	p. 328	116 €
IN	B580-423	Unslotted waste 1¼", enamelled, Flax	p. 328	116 €
IN	B580-424	Unslotted waste 1¼", enamelled, Sand	p. 328	116 €
IN	B580-425	Unslotted waste 1¼", enamelled, Greige	p. 328	116 €
IN	B580-440	Unslotted waste 1¼", enamelled, Snow	p. 328	116 €
IN	B580-441	Unslotted waste 1¼", enamelled, Cream	p. 328	116 €
IN	B580-418	Unslotted waste 1¼", enamelled, Blue Satin	p. 328	116 €
IN	B580-790	Unslotted waste 1¼", enamelled, Midnight	p. 328	116 €
IN	B580-788	Unslotted waste 1¼", enamelled, Daylight	p. 328	116 €
IN	B580-791	Unslotted waste 1¼", enamelled, Forest	p. 328	116 €
IN	B616-901	Waste and overflow fitting BetteFlow, Chrome*	p. 331	92 €
IN	B616-000	Waste and overflow fitting BetteFlow, White*	p. 331	104 €

* For washbasins with tapholes. Activated by a lever on the washbasin fitting

BetteLoft Ornament Wall Mounted, 4 rows



Information

For our washbasins we recommend the unslotted waste 1¼" B580- with a chrome or colour enamelled outlet cover.

Scope of delivery

Including fixing materials

Including noise-reducing pads.

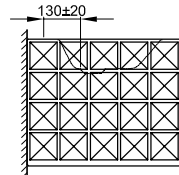
Design: Tesseraux + Partner

Availability

The washbasin BetteLoft Ornament will only be available until 31 December 2026.

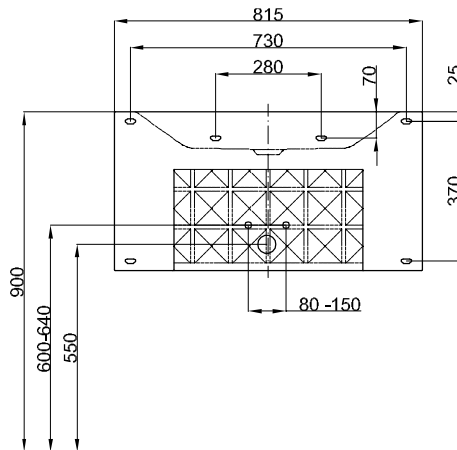
Recommended taps:

Spout projection: ca. 185 mm from wall



Recommended taps:

Spout projection: ca. 130 mm from centre of taphole



Dimensions for installation and connection:

Dimensions

article no.	dimensions in mm	Tapholes	A	B
A230 SWV4A	815 × 510 × 100		815	510
A230 SWV4A,HLW1	815 × 510 × 100	o	815	510

Dimensions

PG	article no.	dimensions in mm	Tapholes	weight (net)	White 000 → cover	Key Colours → cover	Bespoke Colours → cover
ES	A230 SWV4A	815 × 510 × 100		25.2 kg	1.414 €	1.515 €	1.625 €
ES	A230 SWV4A,HLW1	815 × 510 × 100	o	25.2 kg	1.414 €	1.515 €	1.625 €

Please note the ordering information on page 5, in particular the position of the colour number.

Extras

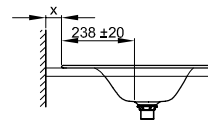
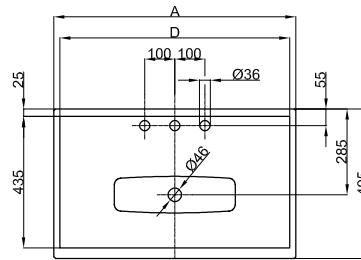
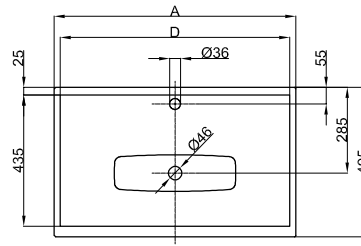
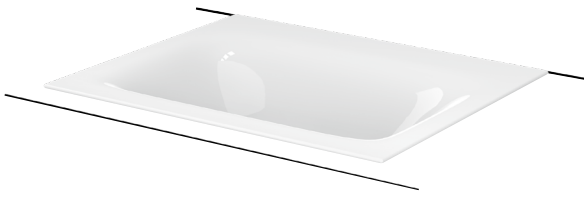
PG	code	description	see	price
EX	PW	BetteGlaze® Plus for washbasin	p. 260	58 €
EX	HLZ	Tapholes and drilling as per special drawing	p. 261	203 €
EX	HLW3	Drilling for 3-hole-tap	p. 261	82 €

Accessories

PG	article no.	description	see	price
IN	B580-901	Unslotted waste 1¼", Chrome	p. 328	72 €
IN	B580-000	Unslotted waste 1¼", enamelled, White	p. 328	116 €
IN	B580-001	Unslotted waste 1¼", enamelled, Pergamon	p. 328	116 €
IN	B580-002	Unslotted waste 1¼", enamelled, Manhattan	p. 328	116 €
IN	B580-003	Unslotted waste 1¼", enamelled, Bahama beige	p. 328	116 €
IN	B580-004	Unslotted waste 1¼", enamelled, Edelweiss	p. 328	116 €
IN	B580-006	Unslotted waste 1¼", enamelled, Jasmin	p. 328	116 €
IN	B580-008	Unslotted waste 1¼", enamelled, Flanell	p. 328	116 €
IN	B580-016	Unslotted waste 1¼", enamelled, Moss green	p. 328	116 €
IN	B580-035	Unslotted waste 1¼", enamelled, Ebony	p. 328	116 €
IN	B580-040	Unslotted waste 1¼", enamelled, Curry	p. 328	116 €
IN	B580-056	Unslotted waste 1¼", enamelled, Black	p. 328	116 €
IN	B580-115	Unslotted waste 1¼", enamelled, Evergreen	p. 328	116 €
IN	B580-124	Unslotted waste 1¼", enamelled, Violet	p. 328	116 €
IN	B580-287	Unslotted waste 1¼", enamelled, Starwhite	p. 328	116 €
IN	B580-307	Unslotted waste 1¼", enamelled, Salvia	p. 328	116 €
IN	B580-400	Unslotted waste 1¼", enamelled, Raven	p. 328	116 €
IN	B580-401	Unslotted waste 1¼", enamelled, Anthracite	p. 328	116 €
IN	B580-402	Unslotted waste 1¼", enamelled, Slate	p. 328	116 €
IN	B580-403	Unslotted waste 1¼", enamelled, Smoke	p. 328	116 €
IN	B580-404	Unslotted waste 1¼", enamelled, Graphite	p. 328	116 €
IN	B580-410	Unslotted waste 1¼", enamelled, Silver	p. 328	116 €
IN	B580-412	Unslotted waste 1¼", enamelled, Quartz	p. 328	116 €
IN	B580-413	Unslotted waste 1¼", enamelled, Dust	p. 328	116 €
IN	B580-414	Unslotted waste 1¼", enamelled, Flint	p. 328	116 €
IN	B580-415	Unslotted waste 1¼", enamelled, Cashmere	p. 328	116 €
IN	B580-416	Unslotted waste 1¼", enamelled, Stone	p. 328	116 €
IN	B580-417	Unslotted waste 1¼", enamelled, Hazel	p. 328	116 €
IN	B580-422	Unslotted waste 1¼", enamelled, Beige	p. 328	116 €
IN	B580-423	Unslotted waste 1¼", enamelled, Flax	p. 328	116 €
IN	B580-424	Unslotted waste 1¼", enamelled, Sand	p. 328	116 €
IN	B580-425	Unslotted waste 1¼", enamelled, Greige	p. 328	116 €
IN	B580-440	Unslotted waste 1¼", enamelled, Snow	p. 328	116 €
IN	B580-441	Unslotted waste 1¼", enamelled, Cream	p. 328	116 €
IN	B580-418	Unslotted waste 1¼", enamelled, Blue Satin	p. 328	116 €
IN	B580-790	Unslotted waste 1¼", enamelled, Midnight	p. 328	116 €
IN	B580-788	Unslotted waste 1¼", enamelled, Daylight	p. 328	116 €
IN	B580-791	Unslotted waste 1¼", enamelled, Forest	p. 328	116 €
IN	B616-901	Waste and overflow fitting BetteFlow, Chrome*	p. 331	92 €
IN	B616-000	Waste and overflow fitting BetteFlow, White*	p. 331	104 €

* For washbasins with tapholes. Activated by a lever on the washbasin fitting

BetteLux Built-In



Information

For our washbasins we recommend the unslotted waste 1¼" B580- with a chrome or colour enamelled outlet cover.

Download note

Template for cutout can be downloaded at www.my-bette.com

Scope of delivery

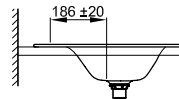
Including fixing materials

Including noise-reducing pads.

Design: Tesseraux + Partner

Recommended taps:

spout projection: distance to wall x mm + ca. 238 mm from outer edge



Recommended taps:

spout projection: ca. 186 mm from centre of taphole

Dimensions

article no.	dimensions in mm	Tapholes	A	D
A160	600 × 495 × 120		600	560
A160 HLW1	600 × 495 × 120	o	600	560
A161	800 × 495 × 120		800	760
A161 HLW1	800 × 495 × 120	o	800	760

Dimensions

PG	article no.	dimensions in mm	Tapholes	weight (net)	White 000 → cover	Key Colours → cover	Bespoke Colours → cover
ES	A160	600 × 495 × 120		5.65 kg	712 €	813 €	923 €
ES	A160 HLW1	600 × 495 × 120	o	5.65 kg	712 €	813 €	923 €
ES	A161	800 × 495 × 120		7.3 kg	744 €	845 €	955 €
ES	A161 HLW1	800 × 495 × 120	o	7.3 kg	744 €	845 €	955 €

Please note the ordering information on page 5, in particular the position of the colour number.

Extras

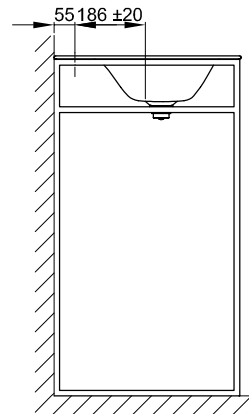
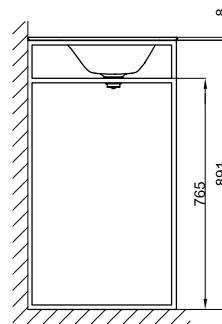
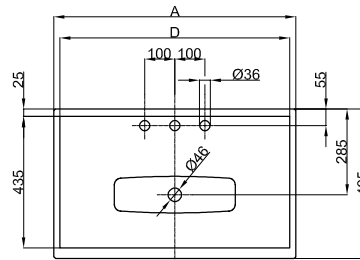
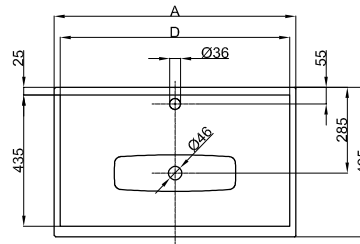
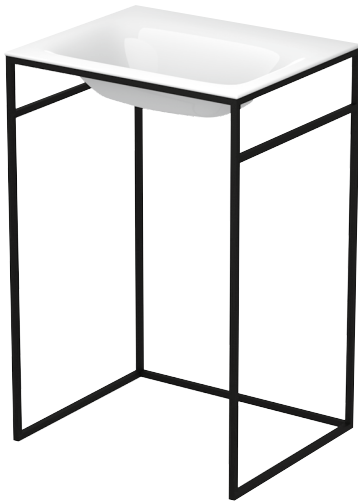
PG	code	description	see	price
EX	PW	BetteGlaze® Plus for washbasin	p. 260	58 €
EX	HLZ	Tapholes and drilling as per special drawing	p. 261	203 €
EX	HLW3	Drilling for 3-hole-tap	p. 261	82 €

Accessories

PG	article no.	description	see	price
IN	B580-901	Unslotted waste 1¼", Chrome	p. 328	72 €
IN	B580-000	Unslotted waste 1¼", enamelled, White	p. 328	116 €
IN	B580-001	Unslotted waste 1¼", enamelled, Pergamon	p. 328	116 €
IN	B580-002	Unslotted waste 1¼", enamelled, Manhatten	p. 328	116 €
IN	B580-003	Unslotted waste 1¼", enamelled, Bahama beige	p. 328	116 €
IN	B580-004	Unslotted waste 1¼", enamelled, Edelweiss	p. 328	116 €
IN	B580-006	Unslotted waste 1¼", enamelled, Jasmin	p. 328	116 €
IN	B580-008	Unslotted waste 1¼", enamelled, Flanel	p. 328	116 €
IN	B580-016	Unslotted waste 1¼", enamelled, Moss green	p. 328	116 €
IN	B580-035	Unslotted waste 1¼", enamelled, Ebony	p. 328	116 €
IN	B580-040	Unslotted waste 1¼", enamelled, Curry	p. 328	116 €
IN	B580-056	Unslotted waste 1¼", enamelled, Black	p. 328	116 €
IN	B580-115	Unslotted waste 1¼", enamelled, Evergreen	p. 328	116 €
IN	B580-124	Unslotted waste 1¼", enamelled, Violet	p. 328	116 €
IN	B580-287	Unslotted waste 1¼", enamelled, Starwhite	p. 328	116 €
IN	B580-307	Unslotted waste 1¼", enamelled, Salvia	p. 328	116 €
IN	B580-400	Unslotted waste 1¼", enamelled, Raven	p. 328	116 €
IN	B580-401	Unslotted waste 1¼", enamelled, Anthracite	p. 328	116 €
IN	B580-402	Unslotted waste 1¼", enamelled, Slate	p. 328	116 €
IN	B580-403	Unslotted waste 1¼", enamelled, Smoke	p. 328	116 €
IN	B580-404	Unslotted waste 1¼", enamelled, Graphite	p. 328	116 €
IN	B580-410	Unslotted waste 1¼", enamelled, Silver	p. 328	116 €
IN	B580-412	Unslotted waste 1¼", enamelled, Quartz	p. 328	116 €
IN	B580-413	Unslotted waste 1¼", enamelled, Dust	p. 328	116 €
IN	B580-414	Unslotted waste 1¼", enamelled, Flint	p. 328	116 €
IN	B580-415	Unslotted waste 1¼", enamelled, Cashmere	p. 328	116 €
IN	B580-416	Unslotted waste 1¼", enamelled, Stone	p. 328	116 €
IN	B580-417	Unslotted waste 1¼", enamelled, Hazel	p. 328	116 €
IN	B580-422	Unslotted waste 1¼", enamelled, Beige	p. 328	116 €
IN	B580-423	Unslotted waste 1¼", enamelled, Flax	p. 328	116 €
IN	B580-424	Unslotted waste 1¼", enamelled, Sand	p. 328	116 €
IN	B580-425	Unslotted waste 1¼", enamelled, Greige	p. 328	116 €
IN	B580-440	Unslotted waste 1¼", enamelled, Snow	p. 328	116 €
IN	B580-441	Unslotted waste 1¼", enamelled, Cream	p. 328	116 €
IN	B580-418	Unslotted waste 1¼", enamelled, Blue Satin	p. 328	116 €
IN	B580-790	Unslotted waste 1¼", enamelled, Midnight	p. 328	116 €
IN	B580-788	Unslotted waste 1¼", enamelled, Daylight	p. 328	116 €
IN	B580-791	Unslotted waste 1¼", enamelled, Forest	p. 328	116 €
IN	B616-901	Waste and overflow fitting BetteFlow, Chrome*	p. 331	92 €
IN	B616-000	Waste and overflow fitting BetteFlow, White*	p. 331	104 €

* For washbasins with tapholes. Activated by a lever on the washbasin fitting

BetteLux Shape



Information

Built-in washbasin for BetteLux Shape washbasin frame, enamelled inside and outside, without overflow

Washbasin and frame are fixed at the factory, but must be ordered separately. An order of the individual components is not possible.

Scope of delivery

Including fixing materials, prefitted washbasin adapter 1/4" and unslotted waste with chromed or colour-matching waste cover when the following colours are selected: White 000 or one of the Key Colours → cover

Design: Tesseraux + Partner

Recommended taps:

spout projection: distance to wall 55 mm + ca. 186 mm from centre of taphole

Dimensions

article no.	dimensions in mm	Tapholes	A	D	W
A170	600 × 495 × 120		600	560	360
A170 HLW1	600 × 495 × 120	o	600	560	360
A171	800 × 495 × 120		800	760	560
A171 HLW1	800 × 495 × 120	o	800	760	560
A172	1000 × 495 × 120		1000	960	760
A172 HLW1	1000 × 495 × 120	o	1000	960	760

Dimensions

PG	article no.	dimensions in mm	Tapholes	weight (net)	White 000 → cover	Key Colours → cover	Bespoke Colours → cover
ES	A170	600 × 495 × 120		6.1 kg	1.154 €	1.255 €	1.365 €
ES	A170 HLW1	600 × 495 × 120	o	6.1 kg	1.154 €	1.255 €	1.365 €
ES	A171	800 × 495 × 120		7.9 kg	1.207 €	1.308 €	1.418 €
ES	A171 HLW1	800 × 495 × 120	o	7.9 kg	1.207 €	1.308 €	1.418 €
ES	A172	1000 × 495 × 120		9.5 kg	1.207 €	1.308 €	1.418 €
ES	A172 HLW1	1000 × 495 × 120	o	9.5 kg	1.207 €	1.308 €	1.418 €

Please note the ordering information on page 5, in particular the position of the colour number.

Extras

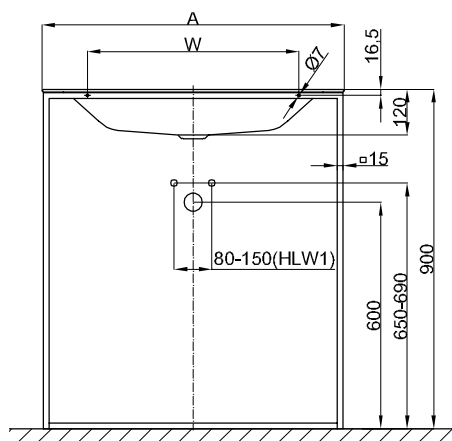
PG	code	description	see	price
EX	PW	BetteGlaze® Plus for washbasin	p. 260	58 €
EX	HLZ	Tapholes and drilling as per special drawing	p. 261	203 €
EX	HLW3	Drilling for 3-hole-tap	p. 261	82 €

Frame (required accessories)

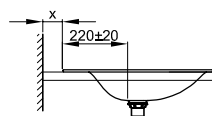
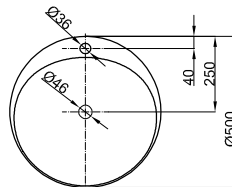
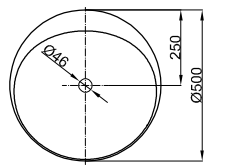
PG	article no.	dimensions in mm	White matt 807 Black matt 815 → cover
IN	Q010	600 × 495 × 890	1.013 €
IN	Q011	800 × 495 × 890	1.064 €
IN	Q012	1000 × 495 × 890	1.115 €

Technical information and prices of additional BetteExtras on page 256. You will find the colours in the cover. Subject to alteration and production tolerance. Prices excluding VAT.

Dimensions for installation and connection:

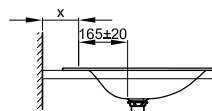


BetteLux Oval Built-In



Recommended taps:

Spout projection: distance to wall x mm + ca. 220 mm from outer edge



Recommended taps:

distance to wall x mm + ca. 165 mm from centre of taphole

Information

For our washbasins we recommend the unslotted waste 1¼" B580- with a chrome or colour enamelled outlet cover.

Download note

Template for cutout can be downloaded at www.my-bette.com

Scope of delivery

Including fixing materials

Including noise-reducing pads.

Dimensions

article no.	dimensions in mm	Tapholes
A220	500 × 500 × 100	
A220 HLW1	500 × 500 × 100	o

Dimensions

PG	article no.	dimensions in mm	Tapholes	weight (net)	White 000 → cover	Key Colours → cover	Bespoke Colours → cover
ES	A220	500 x 500 x 100		4 kg	679 €	780 €	890 €
ES	A220 HLW1	500 x 500 x 100	o	4 kg	679 €	780 €	890 €

Please note the ordering information on page 5, in particular the position of the colour number.

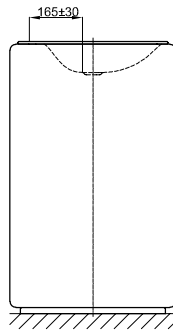
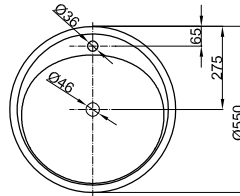
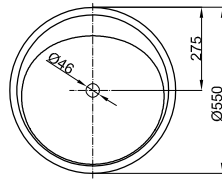
Extras

PG	code	description	see	price
EX	PW	BetteGlaze® Plus for washbasin	p. 260	58 €
EX	HLZ	Tapholes and drilling as per special drawing	p. 261	203 €

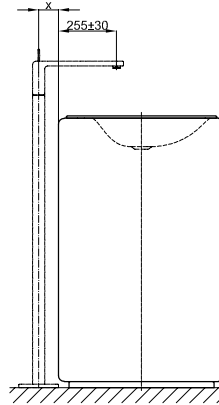
Accessories

PG	article no.	description	see	price
IN	B580-901	Unslotted waste 1¼", Chrome	p. 328	72 €
IN	B580-000	Unslotted waste 1¼", enamelled, White	p. 328	116 €
IN	B580-001	Unslotted waste 1¼", enamelled, Pergamon	p. 328	116 €
IN	B580-002	Unslotted waste 1¼", enamelled, Manhattan	p. 328	116 €
IN	B580-003	Unslotted waste 1¼", enamelled, Bahama beige	p. 328	116 €
IN	B580-004	Unslotted waste 1¼", enamelled, Edelweiss	p. 328	116 €
IN	B580-006	Unslotted waste 1¼", enamelled, Jasmin	p. 328	116 €
IN	B580-008	Unslotted waste 1¼", enamelled, Flanell	p. 328	116 €
IN	B580-016	Unslotted waste 1¼", enamelled, Moss green	p. 328	116 €
IN	B580-035	Unslotted waste 1¼", enamelled, Ebony	p. 328	116 €
IN	B580-040	Unslotted waste 1¼", enamelled, Curry	p. 328	116 €
IN	B580-056	Unslotted waste 1¼", enamelled, Black	p. 328	116 €
IN	B580-115	Unslotted waste 1¼", enamelled, Evergreen	p. 328	116 €
IN	B580-124	Unslotted waste 1¼", enamelled, Violet	p. 328	116 €
IN	B580-287	Unslotted waste 1¼", enamelled, Starwhite	p. 328	116 €
IN	B580-307	Unslotted waste 1¼", enamelled, Salvia	p. 328	116 €
IN	B580-400	Unslotted waste 1¼", enamelled, Raven	p. 328	116 €
IN	B580-401	Unslotted waste 1¼", enamelled, Anthracite	p. 328	116 €
IN	B580-402	Unslotted waste 1¼", enamelled, Slate	p. 328	116 €
IN	B580-403	Unslotted waste 1¼", enamelled, Smoke	p. 328	116 €
IN	B580-404	Unslotted waste 1¼", enamelled, Graphite	p. 328	116 €
IN	B580-410	Unslotted waste 1¼", enamelled, Silver	p. 328	116 €
IN	B580-412	Unslotted waste 1¼", enamelled, Quartz	p. 328	116 €
IN	B580-413	Unslotted waste 1¼", enamelled, Dust	p. 328	116 €
IN	B580-414	Unslotted waste 1¼", enamelled, Flint	p. 328	116 €
IN	B580-415	Unslotted waste 1¼", enamelled, Cashmere	p. 328	116 €
IN	B580-416	Unslotted waste 1¼", enamelled, Stone	p. 328	116 €
IN	B580-417	Unslotted waste 1¼", enamelled, Hazel	p. 328	116 €
IN	B580-422	Unslotted waste 1¼", enamelled, Beige	p. 328	116 €
IN	B580-423	Unslotted waste 1¼", enamelled, Flax	p. 328	116 €
IN	B580-424	Unslotted waste 1¼", enamelled, Sand	p. 328	116 €
IN	B580-425	Unslotted waste 1¼", enamelled, Greige	p. 328	116 €
IN	B580-440	Unslotted waste 1¼", enamelled, Snow	p. 328	116 €
IN	B580-441	Unslotted waste 1¼", enamelled, Cream	p. 328	116 €
IN	B580-418	Unslotted waste 1¼", enamelled, Blue Satin	p. 328	116 €
IN	B580-790	Unslotted waste 1¼", enamelled, Midnight	p. 328	116 €
IN	B580-788	Unslotted waste 1¼", enamelled, Daylight	p. 328	116 €
IN	B580-791	Unslotted waste 1¼", enamelled, Forest	p. 328	116 €

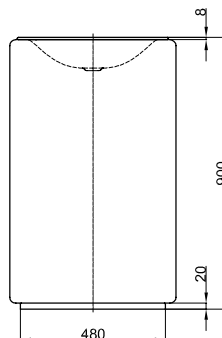
BetteLux Oval Couture



Recommended taps:
Spout projection: ca. 165 mm from centre of taphole



Recommended taps:
Spout projection: distance tap x mm + ca. 255 mm from outer edge



Information

For our washbasins we recommend the unslotted waste 1/4" B580- with a chrome or colour enamelled outlet cover.

Scope of delivery

Including fixing materials

Including noise-reducing pads.

Design: Tesseraux + Partner

Dimensions

article no.	dimensions in mm	Tapholes
A220 TX	500 × 500 × 100	
A220 HLW1,TX	500 × 500 × 100	o

Dimensions

PG	article no.	dimensions in mm	Tapholes	weight (net)	White 000 → cover	Key Colours → cover	Bespoke Colours → cover
ES	A220 TX	500 x 500 x 100		4 kg	679 €	780 €	890 €
ES	A220 HLLW1, TX	500 x 500 x 100	o	4 kg	679 €	780 €	890 €

Please note the ordering information on page 5, in particular the position of the colour number.

Extras

PG	code	description	see	price
EX	PW	BetteGlaze® Plus for washbasin	p. 260	58 €
EX	HLZ	Tapholes and drilling as per special drawing	p. 261	203 €

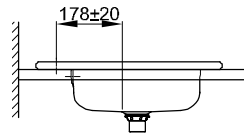
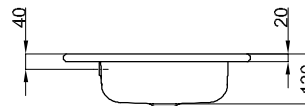
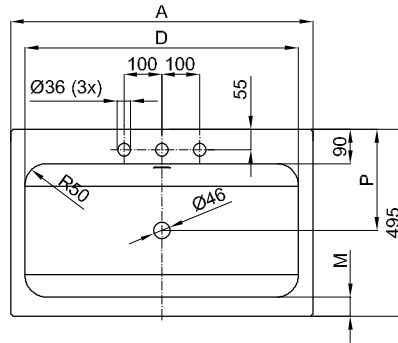
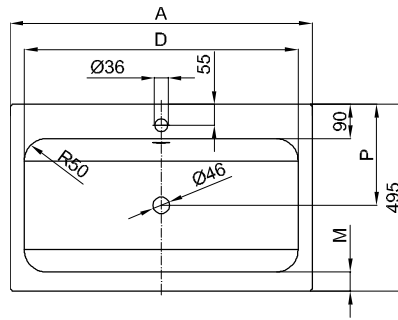
Accessories

PG	article no.	description	see	price
IN	B580-901	Unslotted waste 1¼", Chrome	p. 328	72 €
IN	B580-000	Unslotted waste 1¼", enamelled, White	p. 328	116 €
IN	B580-001	Unslotted waste 1¼", enamelled, Pergamon	p. 328	116 €
IN	B580-002	Unslotted waste 1¼", enamelled, Manhattan	p. 328	116 €
IN	B580-003	Unslotted waste 1¼", enamelled, Bahama beige	p. 328	116 €
IN	B580-004	Unslotted waste 1¼", enamelled, Edelweiss	p. 328	116 €
IN	B580-006	Unslotted waste 1¼", enamelled, Jasmin	p. 328	116 €
IN	B580-008	Unslotted waste 1¼", enamelled, Flanell	p. 328	116 €
IN	B580-016	Unslotted waste 1¼", enamelled, Moss green	p. 328	116 €
IN	B580-035	Unslotted waste 1¼", enamelled, Ebony	p. 328	116 €
IN	B580-040	Unslotted waste 1¼", enamelled, Curry	p. 328	116 €
IN	B580-056	Unslotted waste 1¼", enamelled, Black	p. 328	116 €
IN	B580-115	Unslotted waste 1¼", enamelled, Evergreen	p. 328	116 €
IN	B580-124	Unslotted waste 1¼", enamelled, Violet	p. 328	116 €
IN	B580-287	Unslotted waste 1¼", enamelled, Starwhite	p. 328	116 €
IN	B580-307	Unslotted waste 1¼", enamelled, Salvia	p. 328	116 €
IN	B580-400	Unslotted waste 1¼", enamelled, Raven	p. 328	116 €
IN	B580-401	Unslotted waste 1¼", enamelled, Anthracite	p. 328	116 €
IN	B580-402	Unslotted waste 1¼", enamelled, Slate	p. 328	116 €
IN	B580-403	Unslotted waste 1¼", enamelled, Smoke	p. 328	116 €
IN	B580-404	Unslotted waste 1¼", enamelled, Graphite	p. 328	116 €
IN	B580-410	Unslotted waste 1¼", enamelled, Silver	p. 328	116 €
IN	B580-412	Unslotted waste 1¼", enamelled, Quartz	p. 328	116 €
IN	B580-413	Unslotted waste 1¼", enamelled, Dust	p. 328	116 €
IN	B580-414	Unslotted waste 1¼", enamelled, Flint	p. 328	116 €
IN	B580-415	Unslotted waste 1¼", enamelled, Cashmere	p. 328	116 €
IN	B580-416	Unslotted waste 1¼", enamelled, Stone	p. 328	116 €
IN	B580-417	Unslotted waste 1¼", enamelled, Hazel	p. 328	116 €
IN	B580-422	Unslotted waste 1¼", enamelled, Beige	p. 328	116 €
IN	B580-423	Unslotted waste 1¼", enamelled, Flax	p. 328	116 €
IN	B580-424	Unslotted waste 1¼", enamelled, Sand	p. 328	116 €
IN	B580-425	Unslotted waste 1¼", enamelled, Greige	p. 328	116 €
IN	B580-440	Unslotted waste 1¼", enamelled, Snow	p. 328	116 €
IN	B580-441	Unslotted waste 1¼", enamelled, Cream	p. 328	116 €
IN	B580-418	Unslotted waste 1¼", enamelled, Blue Satin	p. 328	116 €
IN	B580-790	Unslotted waste 1¼", enamelled, Midnight	p. 328	116 €
IN	B580-788	Unslotted waste 1¼", enamelled, Daylight	p. 328	116 €
IN	B580-791	Unslotted waste 1¼", enamelled, Forest	p. 328	116 €

Upholstered Fabric-panel (required accessories)

PG	article no.	dimensions in mm	Ivory 850 Elephant 852 Carbon 853 → cover
IN	B805-	550 x 550 x 890	4.794 €

BetteOne Built-In



Download note

Template for cutout can be downloaded at www.my-bette.com

Scope of delivery

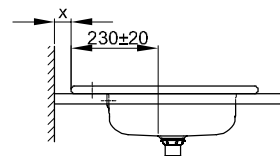
Including fixing material and overflow fitting as well as overflow rosette in chrome.

Including noise-reducing pads.

Design: Tesseraux + Partner

Recommended taps:

spout projection: ca. 178 mm from centre of taphole



Recommended taps:

spout projection: distance to wall x mm + ca. 230 mm from outer edge

Dimensions

article no.	dimensions in mm	Tapholes	A	D	M	P
A138	600 × 495 × 130		600	544	40	273
A138 HLW1	600 × 495 × 130	o	600	544	40	273
A139	800 × 495 × 130		800	724	50	267
A139 HLW1	800 × 495 × 130	o	800	724	50	267

Dimensions

PG	article no.	dimensions in mm	Tapholes	weight (net)	White 000 → cover	Key Colours → cover	Bespoke Colours → cover
ES	A138	600 x 495 x 130		8 kg	431 €	532 €	642 €
ES	A138 HLW1	600 x 495 x 130	o	8 kg	431 €	532 €	642 €
ES	A139	800 x 495 x 130		10,5 kg	450 €	551 €	661 €
ES	A139 HLW1	800 x 495 x 130	o	10,5 kg	450 €	551 €	661 €

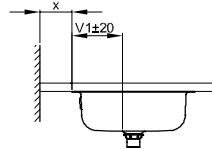
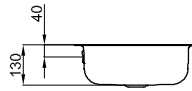
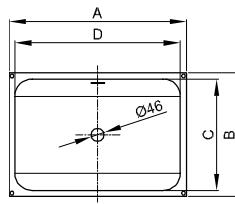
Extras

PG	code	description	see	price
EX	PW	BetteGlaze® Plus for washbasin	p. 260	58 €
EX	HLZ	Tapholes and drilling as per special drawing	p. 261	203 €
EX	HLW3	Drilling for 3-hole-tap	p. 261	82 €

Accessories

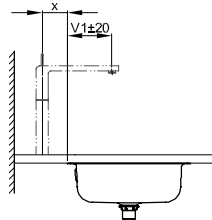
PG	article no.	description	see	price
IN	B581-000	Pushwaste 1 ¼", White varnished	p. 330	118 €
IN	B581-901	Pushwaste 1 ¼", Chrome	p. 330	92 €

BetteOne Undermounted



Recommended taps:

spout projection: distance to wall x mm + dimension V1 from outer edge



Recommended taps:

spout projection: distance tap x mm + dimension V1 from outer edge

Download note

Template for cutout can be downloaded at www.my-bette.com

Scope of delivery

Including noise-reducing pads.

Including overflow fitting as well as overflow rosette in chrome.

Design: Tesseraux + Partner

Dimensions

article no.	dimensions in mm	A	B	C	D	V1
A135	434 x 416 x 130	434	416	375	394	170
A136	587 x 408 x 130	587	408	368	547	165
A137	767 x 400 x 130	767	400	358	726	160

Dimensions

PG	article no.	dimensions in mm	weight (net)	White 000 → cover	Key Colours → cover	Bespoke Colours → cover
ES	A135	434 x 416 x 130	4.4 kg	472 €	573 €	683 €
ES	A136	587 x 408 x 130	5.4 kg	496 €	597 €	707 €
ES	A137	767 x 400 x 130	7.4 kg	519 €	620 €	730 €

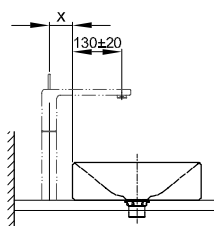
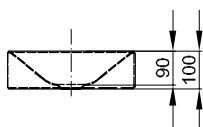
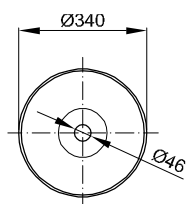
Extras

PG	code	description	see	price
EX	PW	BetteGlaze® Plus for washbasin	p. 260	58 €

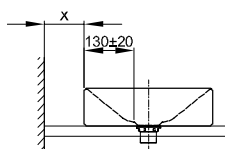
Accessories

PG	article no.	description	see	price
IN	B581-000	Pushwaste 1 ¼ ", White varnished	p. 330	118 €
IN	B581-901	Pushwaste 1 ¼ ", Chrome	p. 330	92 €

BetteSuno Counter Top



Recommended taps:



Recommended taps:

Information

For our washbasins we recommend the unslotted waste 1/4" B580- with a chrome or colour enamelled outlet cover.

Scope of delivery

Including fixing materials

Including noise-reducing pads.

Design: Barber Osgerby

Dimensions

article no.

A250

dimensions in mm

340 x 340 x 100

Dimensions

PG	article no.	dimensions in mm	weight (net)	White 000 → cover	Key Colours → cover	Bespoke Colours → cover
ES	A250	340 x 340 x 100	4.1 kg	692 €	793 €	903 €

Extras

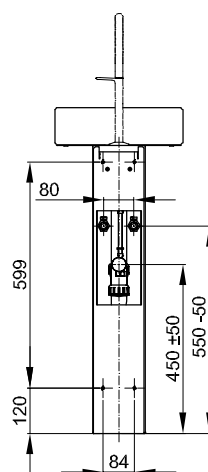
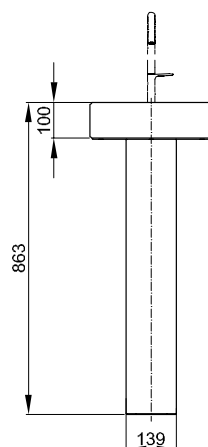
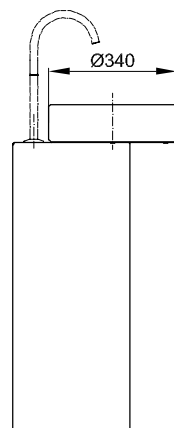
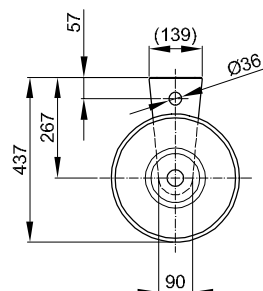
PG	code	description	see	price
EX	PW	BetteGlaze® Plus for washbasin	p. 260	58 €

Accessories

PG	article no.	description	see	price
IN	B580-901	Unslotted waste 1¼", Chrome	p. 328	72 €
IN	B580-000	Unslotted waste 1¼", enamelled, White	p. 328	116 €
IN	B580-001	Unslotted waste 1¼", enamelled, Pergamon	p. 328	116 €
IN	B580-002	Unslotted waste 1¼", enamelled, Manhattan	p. 328	116 €
IN	B580-003	Unslotted waste 1¼", enamelled, Bahama beige	p. 328	116 €
IN	B580-004	Unslotted waste 1¼", enamelled, Edelweiss	p. 328	116 €
IN	B580-006	Unslotted waste 1¼", enamelled, Jasmin	p. 328	116 €
IN	B580-008	Unslotted waste 1¼", enamelled, Flanell	p. 328	116 €
IN	B580-016	Unslotted waste 1¼", enamelled, Moss green	p. 328	116 €
IN	B580-035	Unslotted waste 1¼", enamelled, Ebony	p. 328	116 €
IN	B580-040	Unslotted waste 1¼", enamelled, Curry	p. 328	116 €
IN	B580-056	Unslotted waste 1¼", enamelled, Black	p. 328	116 €
IN	B580-115	Unslotted waste 1¼", enamelled, Evergreen	p. 328	116 €
IN	B580-124	Unslotted waste 1¼", enamelled, Violet	p. 328	116 €
IN	B580-287	Unslotted waste 1¼", enamelled, Starwhite	p. 328	116 €
IN	B580-307	Unslotted waste 1¼", enamelled, Salvia	p. 328	116 €
IN	B580-400	Unslotted waste 1¼", enamelled, Raven	p. 328	116 €
IN	B580-401	Unslotted waste 1¼", enamelled, Anthracite	p. 328	116 €
IN	B580-402	Unslotted waste 1¼", enamelled, Slate	p. 328	116 €
IN	B580-403	Unslotted waste 1¼", enamelled, Smoke	p. 328	116 €
IN	B580-404	Unslotted waste 1¼", enamelled, Graphite	p. 328	116 €
IN	B580-410	Unslotted waste 1¼", enamelled, Silver	p. 328	116 €
IN	B580-412	Unslotted waste 1¼", enamelled, Quartz	p. 328	116 €
IN	B580-413	Unslotted waste 1¼", enamelled, Dust	p. 328	116 €
IN	B580-414	Unslotted waste 1¼", enamelled, Flint	p. 328	116 €
IN	B580-415	Unslotted waste 1¼", enamelled, Cashmere	p. 328	116 €
IN	B580-416	Unslotted waste 1¼", enamelled, Stone	p. 328	116 €
IN	B580-417	Unslotted waste 1¼", enamelled, Hazel	p. 328	116 €
IN	B580-422	Unslotted waste 1¼", enamelled, Beige	p. 328	116 €
IN	B580-423	Unslotted waste 1¼", enamelled, Flax	p. 328	116 €
IN	B580-424	Unslotted waste 1¼", enamelled, Sand	p. 328	116 €
IN	B580-425	Unslotted waste 1¼", enamelled, Greige	p. 328	116 €
IN	B580-440	Unslotted waste 1¼", enamelled, Snow	p. 328	116 €
IN	B580-441	Unslotted waste 1¼", enamelled, Cream	p. 328	116 €
IN	B580-418	Unslotted waste 1¼", enamelled, Blue Satin	p. 328	116 €
IN	B580-790	Unslotted waste 1¼", enamelled, Midnight	p. 328	116 €
IN	B580-788	Unslotted waste 1¼", enamelled, Daylight	p. 328	116 €
IN	B580-791	Unslotted waste 1¼", enamelled, Forest	p. 328	116 €

Technical information and prices of additional BetteExtras on page 256. You will find the colours in the cover. Subject to alteration and production tolerance. Prices excluding VAT.

BetteSuno Pedestal



Dimensions for installation and connection:

Information

Washbasin for wall mounting, without overflow, unslotted waste with matching colour enamelled waste cover.

Washbasin and pedestal are made of glazed titanium steel.

Scope of delivery

Including fixing materials

Including siphon.

Including noise-reducing pads.

Design: Barber Osgerby

Dimensions

article no.	dimensions in mm	Tapholes
A250 VK1	340 x 340 x 863	
A250 VK2	340 x 340 x 863	o

Dimensions

PG	article no.	dimensions in mm	Tapholes	weight (net)	White 000 → cover	Key Colours → cover	Bespoke Colours → cover
ES	A250 VK1	340 x 340 x 863		17,5 kg	2.392 €	2.493 €	2.603 €
ES	A250 VK2	340 x 340 x 863	o	17,5 kg	2.392 €	2.493 €	2.603 €

Extras

PG	code	description	see	price
EX	PW	BetteGlaze® Plus for washbasin	p. 260	58 €

Extras

260	Antinoise System
258	BetteAnti-Slip Pro
259	BetteAnti-Slip Sense
260	BetteGlaze® Plus
262	BetteSeal+
264	BetteUpstand
267	BetteUpstand installation aid
265	BetteUpstand ordering aid
266	BetteUpstand shortened
266	BetteUpstand tailor-made
261	Drillings
260	Individual laser logo
263	Minimum support
263	Minimum-support for BetteAir
272	Overview BetteUpstand, Special size, Profi Corner
282	Overview Extras
268	Profi Corner
269	Profi Corner ordering aid
260	Special depth
270	Special size

BetteAnti-Slip Pro



Information

- Virtually invisible, non-slip surface
- Full-surface and permanently burned into the surface
- Slip resistance in accordance with assessment group B for wet barefoot areas (DIN 51097) and assessment group R 10 for slip-resistant properties in workrooms and work areas with increased slip hazard (DIN 51130)
- Available for White (000), Pergamon (001), Manhattan (002), Bahama beige (003), Edelweiss (004), Jasmin (006), Flanell (008), Ebony (035), Curry (040), Starwhite (287), Salvia (307), Raven (400), Anthracite (401), Slate (402), Smoke (403), Graphite (404), Silver (410), Quartz (412), Dust (413), Flint (414), Cashmere (415), Stone (416), Hazel (417), Blue Satin (418), Beige (422), Flax (423), Sand (424), Greige (425), Ebano (434), Taupe (438), Cacao (439), Snow (440), Cream (441), Midnight (790)
- For showers BetteAir, BetteFloor, BetteFloor Side, BetteUltra, BetteUltra Space and BetteSupra
- Not available with BetteGlaze® Plus
- You will find all the combination options on our website and in our product configurator at www.my-bette.com.

A waste cover with the BetteAnti-Slip Pro surface can be ordered for the shower waste.

30
Year
Warranty

Further information on our guarantee terms at www.my-bette.com

B
7
Non-slip tilt
angle $\geq 18^\circ$
Classification
group B

Certification

In conjunction with our special BetteAntislip Pro, the BetteUltra 1500 x 1500 mm complies with the requirements of DIN 18040-1 barrier-free construction of publicly available buildings and DIN 18040-2 barrier-free construction of residences.

In conjunction with our special BetteAntislip Pro, the shower trays complies with the requirements of DIN 18040-2 barrier-free construction of residences:
BetteUltra 1200 x 1200 mm, 1300 x 1300 mm, 1400 x 1400 mm, 1500 x 1500 mm.

In conjunction with our BetteAntislip Pro, the shower area complies with the requirements of DIN 18040-2 barrier-free construction of residences:
BetteFloor 1200 x 1200 mm
BetteFloor Side 1200 x 1200 mm, 1400 x 1200 mm, 1500 x 1200 mm, 1600 x 1200 mm



Variants

PG	code	description	suitable for	price
EX	AE	BetteAnti-Slip Pro - class B	Showers	165 €
EX	AY	BetteAnti-Slip Pro for glazed waste cover	Showers	without surcharge

BetteAnti-Slip Sense



Information

- Almost invisible surface treatment
- Clean, aesthetic surface
- Can be combined with White (000)
- Highest slip resistance: DIN EN 16165 class C (tested by TÜV Rheinland LGA Bautechnik GmbH, according to test certificate BTV 23V30036-01)
- Up to 27° inclination equivalence
- For all showers and baths
- Easy to clean
- Not available with BetteGlaze® Plus

A waste cover with the BetteAnti-Slip Sense surface can be ordered for the shower waste.

30
Year
Warranty



Slip resistant
Rating group C
DIN EN 16165:2023
Annex A

7^c

Non-slip tilt
angle $\geq 24^\circ$
Classification
group C

Further information on our guarantee
terms at www.my-bette.com

Variants

PG	code	description	suitable for	price
EX	AS	BetteAnti-Slip Sense - class C	Baths, Showers	165 €
EX	AX	BetteAnti-Slip Sense for glazed waste cover	Showers	without surcharge

BetteGlaze® Plus



Information

The tried-and-tested enamel surface BetteGlaze® is available with BetteGlaze® Plus, a special polymer coating which has a water repellent effect to protect the bath surface from dirt and scale.

Cannot be combined with BetteAnti-Slip Pro (AE) and BetteAnti-Slip Sense (AS).

PG	code	suitable for	price
EX	PLUS	BetteGlaze® Plus	138 €
EX	PW	BetteGlaze® Plus for washbasin	58 €

Individual laser logo



Information

From a minimum order quantity of 50 pieces, many of our baths, showers and washbasins can be given an individual laser logo measuring up to 60 x 15 mm.

If required, please discuss the technical options and delivery times with us.

PG	code	suitable for	price
EX	Lo:	Individual laser logo	30 €

Special depth

Information

From a minimum order quantity of 50 pieces, we have the facility to produce certain baths and showers with special depths. Please contact us for more information.

PG	code	suitable for	price
EX	ST:	Special depth: ### mm	155 €



Antinoise System

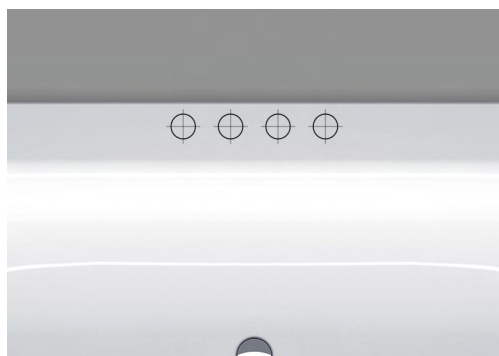
Information

Our products BetteBambino, BetteForm and the showers BetteQuinta and BetteDelta can be ordered with antinoise pads as an option.

PG	code	suitable for	price
EX	AD	Antinoise for baths	90 €
EX	ADD	Antinoise for shower trays	39 €



Drillings



Tapholes and drilling as per special drawing



Drilling for 3-hole-tap

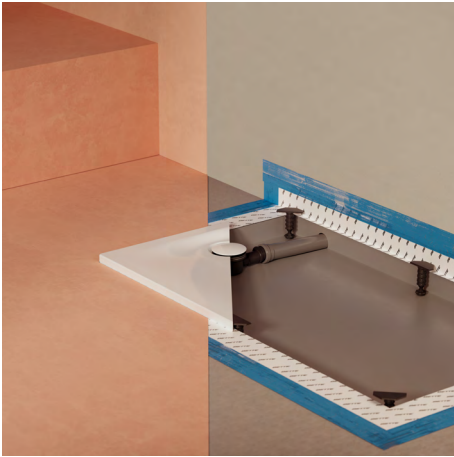
Information

For installation of fittings on the bath rim or soap dispensers / accessories on the washbasin we can provide the necessary tapholes. After technical examination a drawing will be provided.

Variants

PG	code	description	suitable for	price
EX	HLZ	Tapholes and drilling as per special drawing	Baths, Washbasins	203 €
EX	HLW3	Drilling for 3-hole-tap	Washbasins	82 €

BetteSeal+



Information

- Pre-assembled at factory
- Plug and play installation of showers
- Sealing fleece around the entire perimeter, 10 cm wide, without butt joints or welded seams
- Easy integration into the composite waterproofing
- Ultra-thin film, can be easily incorporated even with triple overlap
- Can be combined with BetteFloor, BetteFloor Side, BetteUltra and BetteUltra Space (except dimensions with both sides ≥ 1200 mm)



Waterproof
EAD 030352-00-0503:
2019-01, Annex A

Variant

PG	code	description	suitable for	price
EX	W	BetteSeal+, factory pre-assembled	Showers	189 €

Minimum tray support (pre-assembled at factory) for showers



Information

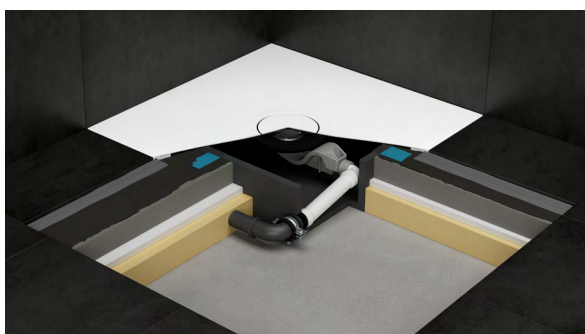
- Pre-assembled at factory
- Plug and play installation of showers
- Can be glued directly to screed or wooden floor
- Can be combined with BetteFloor, BetteFloor Side, BetteUltra and BetteUltra Space
- Combinable with Easy Connect installation box and sealing system
- Installation option: almost flush-to-floor

Minimum installation height from 35 mm

Variant

PG	code	description	suitable for	price
EX	T1	Minimum tray support (pre-assembled at factory) for showers	Shower trays, Shower areas	68 €

Minimum support (pre-assembled at factory) for BetteAir



Information

- Pre-assembled at factory
- Plug and play installation of the BetteAir shower tile
- Can be glued directly to screed or wooden floor
- Combinable with the BetteAir installation box
- Installation option: flush-to-floor

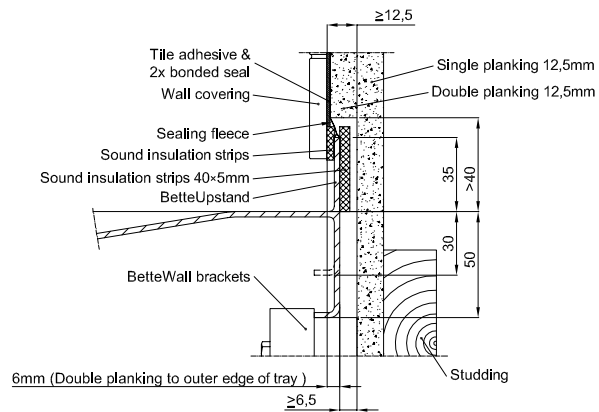
Minimum installation height with
BetteAir 50 waste fitting: 117 mm
BetteAir 30 waste fitting: 97 mm

Minimum installation height with the BetteAir installation box with
BetteAir 50 waste fitting: 142 mm
BetteAir 30 waste fitting: 125 mm

Variant

PG	code	description	suitable for	price
EX	T2	Minimum support (pre-assembled at factory) for BetteAir	Shower areas	68 €

BetteUpstand



installation on dry wall

Information

We are able to deliver many of our baths, shower areas BetteFloor Side and shower trays with tiling upstands (height: 35 mm), either on one side (back to wall), on two sides (corner) or on three sides (niche).

A sealing fleece to protect against splashes is pre-fitted at the works.

Showers with a side length of > 1200 mm and BetteFloor Side showers with a side length of ≥ 1200 mm are supplied with a rim height of 50 mm. The height of the upstand is unchanged at 35 mm.

We recommend the BetteLevel, the Basic or Foot-System for the installation of our showers with BetteUpstand. The installation system Universal cannot be used.

Sealing system B57-0080 for flush-to-floor installation to be ordered separately.

You will find an overview of the models and dimensions that are available with BetteUpstand on pages 282- 283.

All possible dimensions can be found on pages 272- 281.

The combination option of upstands and taphole drillings must be checked individually.

Scope of delivery

- Sound insulation strips
- Sealing fleece (pre-assembled at works)

Certification

For standard sealing according to DIN 18534-1.



Waterproof
ETAG 022
DIN 18534
ÖNORM B 3407



Only 23 dB(A)
Noise level
DIN 4109
VDI 4100*

*2 Structural conditions according to test certificate.

Variants

PG	description	suitable for	price
EX	BetteUpstand	Baths, Showers	367 €
EX	BetteUpstand tailor-made	Baths, Showers	512 €

Accessories

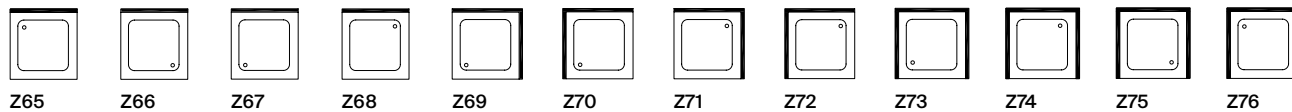
PG	article no.	description	price
IN	B57-0080	Sealing Set BetteUpstand installation flush-to-floor	104 €

BetteUpstand ordering aid

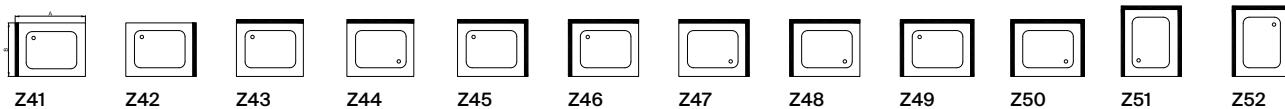
Information

Shower trays with shank length > 1200 mm are supplied with 50 mm rim.
 Shower areas BetteFloor Side with shank length ≥ 1200 mm are supplied with 50 mm rim.

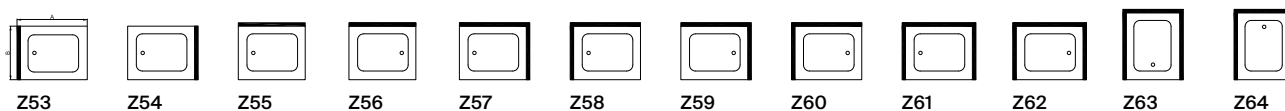
Square shower trays with dimension < 1000 mm



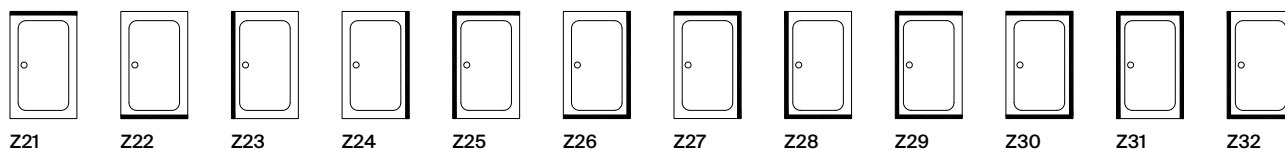
Rectangular shower trays with dimension < 1000 mm



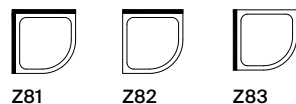
Rectangular and square shower trays with centre waste, with dimension ≥ 1000 mm < 1600 mm



Rectangular and square shower trays with centre waste with dimension ≥ 1600 mm, BetteFloor Side (possible dimensions see pages 272 - 281)



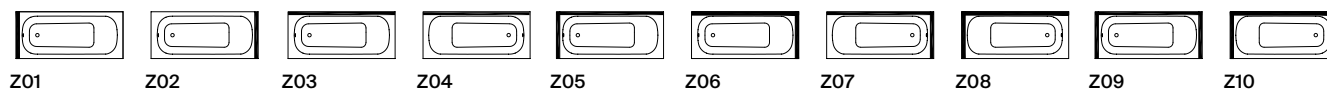
BetteCorner shower trays



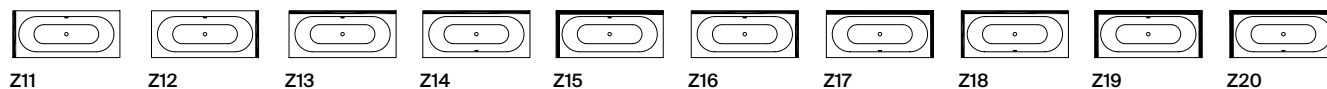
BetteCaro shower trays



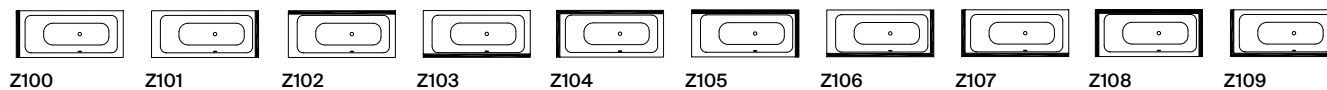
Bath with waste at the foot end



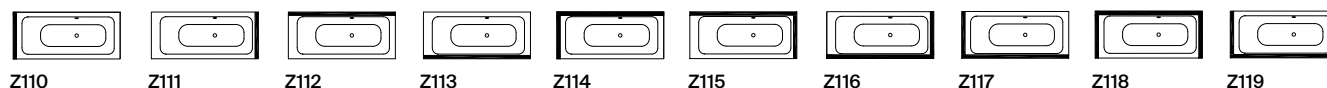
Bath with centre waste



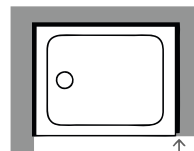
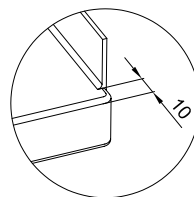
Bath with foot end right, overflow front (BetteComodo, BetteOcean, BetteSelect)



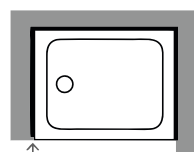
Bath with foot end right, overflow rear (BetteComodo, BetteOcean, BetteSelect)



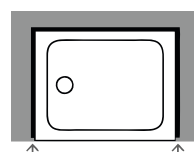
BetteUpstand shortened



Y1, shortened Upstand right



Y2, shortened Upstand left



Y3, shortened Upstand both sides

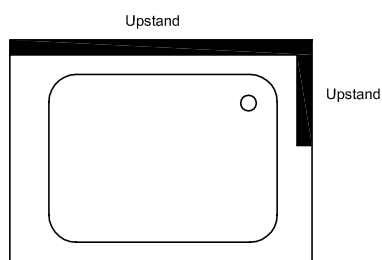
Information

If a bath/tray with upstands is ordered for corner or niche installation where the wall is discontinued we recommend to have the upstand shortened by 10 mm. We offer this service without surcharge. Please mention the code as per your installation situation.

Variants

PG	code	description	suitable for	price
EX	Y1	shortened Upstand right	Baths, Showers	without surcharge
EX	Y2	shortened Upstand left	Baths, Showers	without surcharge
EX	Y3	shortened Upstand both sides	Baths, Showers	without surcharge

BetteUpstand tailor-made



Information

A customized BetteUpstand solution is available on demand. We can adapt the length of the BetteUpstand to suit requirements. Please forward a drawing of the upstand location with your order.

Variant

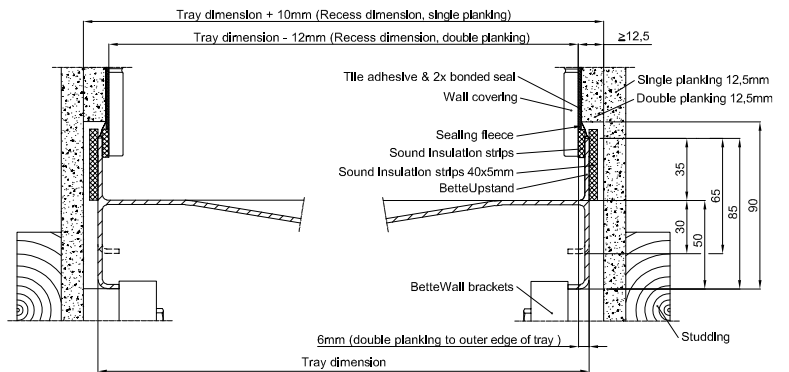
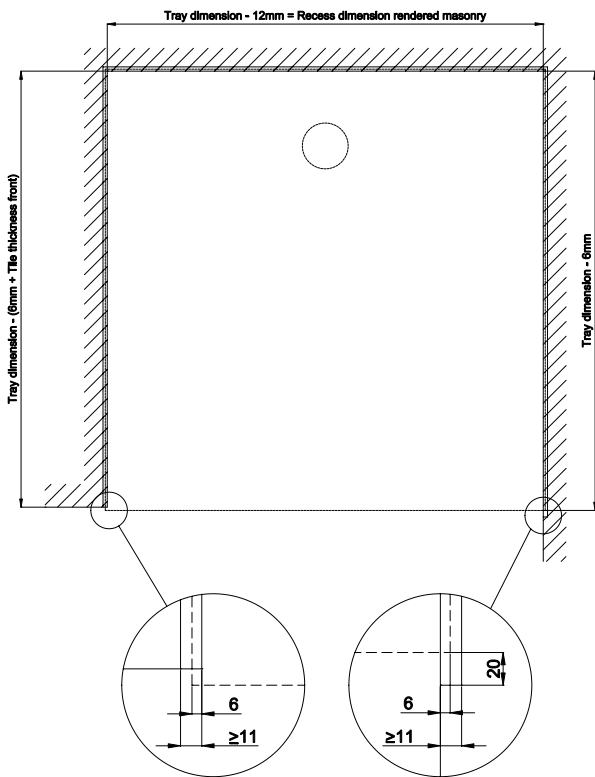
PG	Description	suitable for	Price
EX	BetteUpstand tailor-made	Baths, Showers	512 €

BetteUpstand installation aid

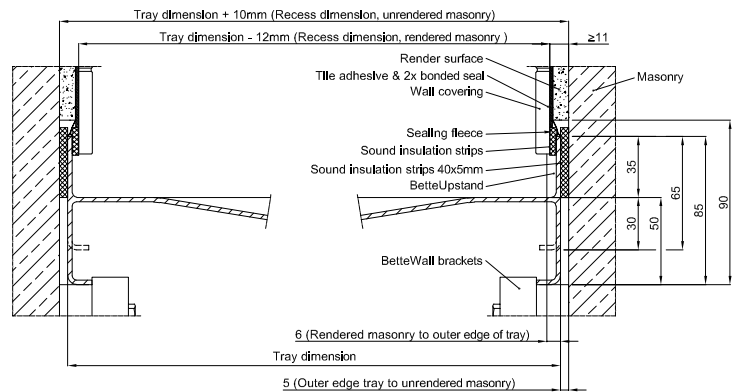
Information

As the shower tray with BetteUpstand is let into the wall, the tray installation dimension changes. Please bear this in mind when planning the shower screen. The dimensions specified relate to the rendered rough state, without tiling.

niche installation

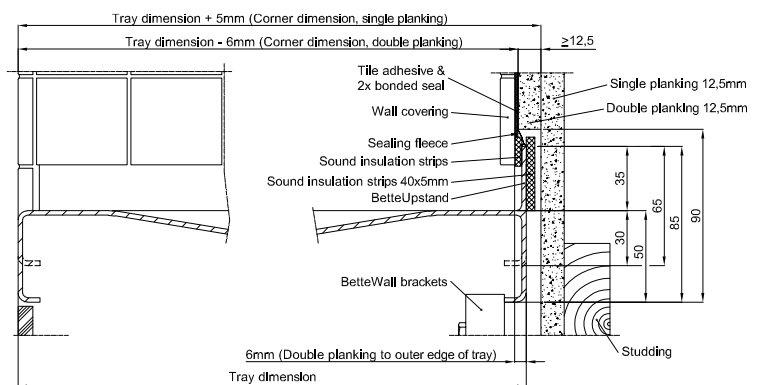
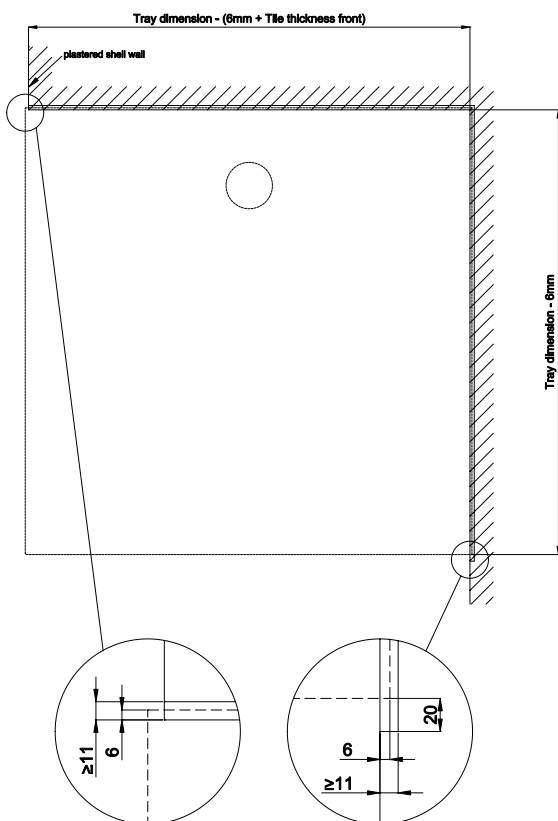


installation on dry wall

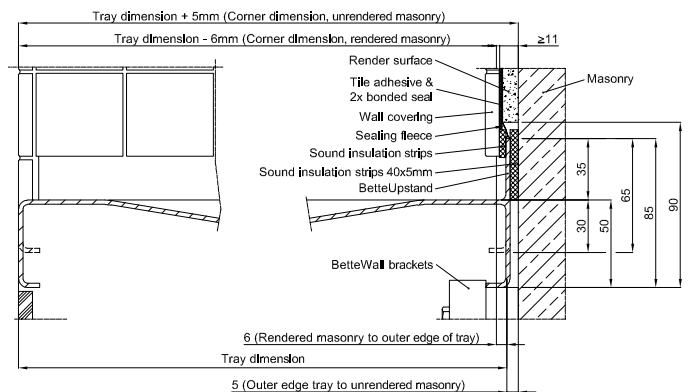


installation on solid wall

corner installation



installation on dry wall



installation on solid wall

Profi Corner



Information

Corner cuts to baths or showers may be used to offset pivot ranges of doors or downpipes.

Individual codes are available for ordering baths with corner cuts.

Please contact us if you wish to order showers with corner cuts.

With the BetteOcean and BetteOcean Lowline bath versions, the Profi corner of 150 x 150 mm is only possible at the head end.

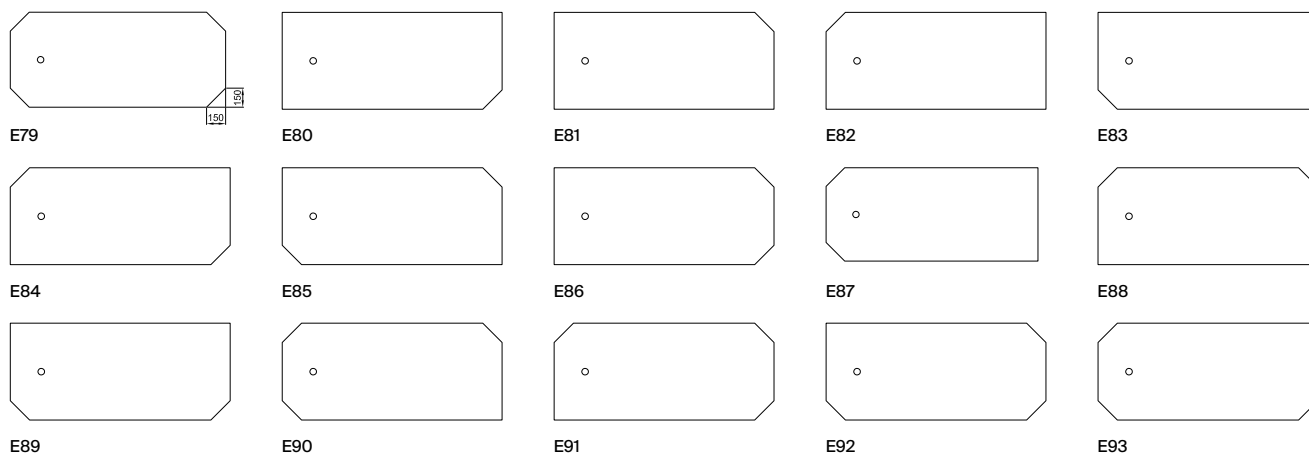
Please contact us if you wish to have a Profi corner at the foot end.

Variants

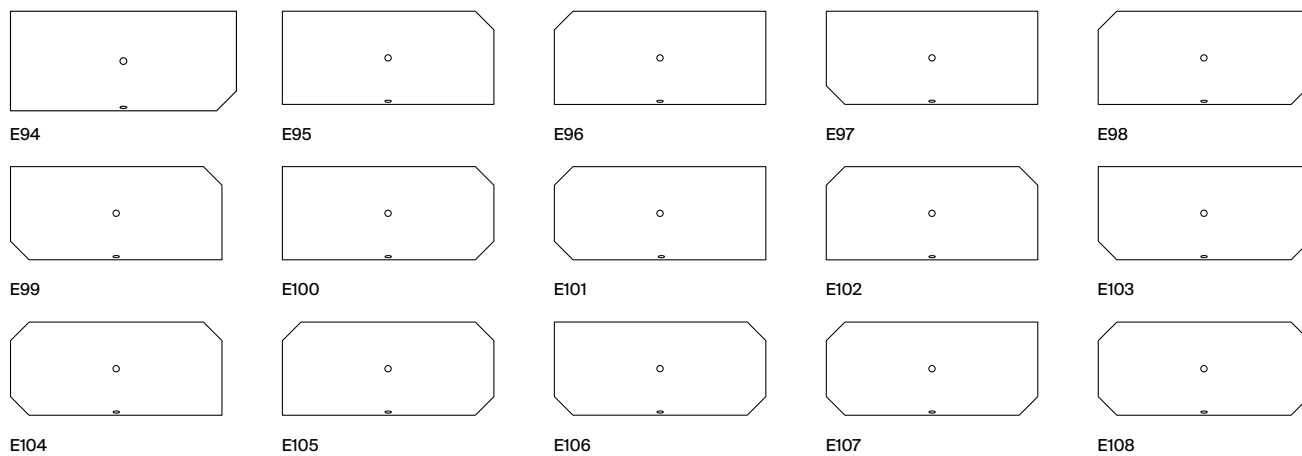
PG	description	suitable for	price
EX	1 corner	Baths, Showers	350 €
EX	2 corners	Baths, Showers	601 €
EX	3 corners	Baths, Showers	850 €
EX	4 corners	Baths, Showers	1.103 €

Profi Corner ordering aid

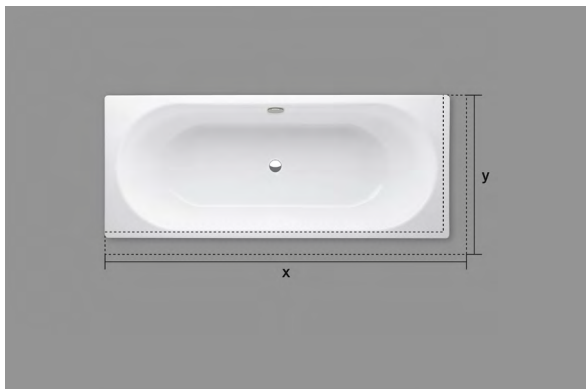
Bath with waste at the foot end



Bath with centre waste



Special size



Information

Many baths and showers can be adapted to special size. If using the minimum length for baths, arrangement of the tap holes at the foot end is no longer possible. The dimensions of the bath interior remain the same.

Please note that on showers with shank length > 1200 mm are supplied with a 50 mm rim (instead of 30 mm). In these cases, only the BetteLevel and the Foot-System can be used for the assembly.

Please note that the shower tray rim width is reduced in conjunction with custom tailoring. In these cases, the minimum tray support and the BetteLevel mounting foot can no longer be used.

The combination options of the whirlsystems need to be checked individually.

All possible dimensions can be found on pages 272- 281.

Variants

PG	description	suitable for	price
EX	Special size	Baths, Showers	350 €
IN	Special size Installation System	Showers	60 €
IN	Special size Foot-System	Showers	32 €

Special Size, BetteUpstand, Profi Corner Overview

Information

Many baths and showers can be adapted to special size. If using the minimum length for baths, arrangement of the tap holes at the foot end is no longer possible. The dimensions of the bath interior remain the same.

Please note that on showers with shank length > 1200 mm are supplied with a 50 mm rim (instead of 30 mm). In these cases, only the BetteLevel and the Foot-System can be used for the assembly.

Please note that the shower tray rim width is reduced in conjunction with custom tailoring. In these cases, the minimum tray support and the BetteLevel mounting foot can no longer be used.

The combination options of the whirlsystems need to be checked individually.

price

description	see	price
BetteUpstand	p. 264	from 367 €
Profi Corner	p. 268	from 350 €
Special size	p. 270	350 €
Special size Foot-System	p. 270	32 €
Special size Installation System	p. 270	60 €

Overview

model	dimensions in mm	variant	article no.	max. length	min. length	max. width	min. width	BetteUpstand	Profi Corner
BetteArt	1805 x 755 x 420		3480 CFXXX						
BetteArt I	1805 x 800 x 420		3480 CWVHK						
BetteArt IV	1850 x 800 x 420		3480 CERHK						
BetteArt V	1850 x 800 x 420		3480 CELHK						
BetteBambino	1570 x 650 x 420	No. 1	2770						x
	1570 x 650 x 420	No. 2	2780						x
	1570 x 700 x 420	No. 1	2570						x
	1570 x 700 x 420	No. 2	2580						x
BetteClassic	1400 x 700 x 450		1266	1450	1400	750	700	x	x
	1500 x 700 x 450		1268	1550	1500	750	660	x	x
	1600 x 700 x 450		1267	1650	1600	750	700	x	x
	1600 x 750 x 450		1269	1650	1600	800	730	x	x
	1650 x 750 x 450		1265					x	x
	1700 x 700 x 450		3108	1750	1700	750	700	x	x
	1700 x 730 x 450		3109					x	x
	1700 x 750 x 450		3110	1750	1700	800	730	x	x
	1700 x 800 x 450		3111	1750	1700	850	800	x	x
	1750 x 750 x 450		3112					x	x
	1800 x 700 x 450		1271	1850	1800	750	700	x	x
	1800 x 750 x 450		1272	1850	1800	750	700	x	x
	1800 x 800 x 450		1270	1850	1800	850	780	x	x
	1900 x 800 x 450		1273						x
BetteComodo	1700 x 750 x 450		1250	1750	1700	800	750	x	x
	1700 x 800 x 450		1253	1750	1700	800	750	x	x
	1800 x 800 x 450		1251	1850	1800	850	800	x	x
	1900 x 900 x 450		1252						x
BetteComodo with side overflow	1700 x 750 x 450	No. 1	1620	1750	1700	800	750	x	x
	1700 x 750 x 450	No. 2	1640	1750	1700	800	750	x	x
	1700 x 800 x 450	No. 1	1623	1750	1700	800	750	x	x
	1700 x 800 x 450	No. 2	1643	1750	1700	800	750	x	x
	1800 x 800 x 450	No. 1	1621	1850	1800	850	800	x	x
	1800 x 800 x 450	No. 2	1641	1850	1800	850	800	x	x
	1900 x 900 x 450	No. 1	1622						x
	1900 x 900 x 450	No. 2	1642						x
BetteDuett	1700 x 750 x 420		3020	1750	1650	800	750	x	x
	1700 x 800 x 420		3100	1750	1650	800	750	x	x
BetteDuo	1800 x 800 x 420		3820	1850	1750	850	800	x	x

model	dimensions in mm	variant	article no.	max. length	min. length	max. width	min. width	BetteUpstand	Profi Corner
BetteEve	1800 x 1000 x 450		6042					x	x
BetteEve Oval	1800 x 1000 x 450		6043						
BetteEve Oval Silhouette	1800 x 1000 x 450		6043 CFXXS						
BetteForm	1400 x 700 x 420		2940	1450	1350	750	700	x	x
	1500 x 700 x 420		2941	1550	1450	750	700	x	x
	1600 x 700 x 420		2942	1650	1550	750	700	x	x
	1600 x 750 x 420		2943	1650	1550	800	730	x	x
	1650 x 750 x 420		2944					x	x
	1700 x 700 x 420		2945	1750	1650	750	700	x	x
	1700 x 730 x 420		2946					x	x
	1700 x 750 x 420		2947	1750	1650	800	730	x	x
	1700 x 800 x 420		2948					x	x
	1750 x 750 x 420		2949					x	x
	1800 x 800 x 420		2950	1850	1750	850	780	x	x
	1900 x 800 x 420		2951						x
BetteFree	1700 x 750 x 450		6829						
	1800 x 800 x 450		6830						
	1900 x 900 x 450		6831						
	2000 x 1000 x 450		6832						
BetteLoft	1700 x 800 x 420		3171						
	1800 x 800 x 420		3172						
	1900 x 900 x 420		3173						
BetteLoft Ornament	1810 x 810 x 420		3172 CFXX6A						
BetteLux	1700 x 750 x 450		3440						
	1800 x 800 x 450		3441						
	1900 x 900 x 450		3442						
BetteLux Oval	1700 x 750 x 450		3465						
	1800 x 800 x 450		3466						
	1900 x 900 x 450		3467						
BetteLux Oval Couture	1800 x 800 x 450		3466 TX						
BetteLux Oval Silhouette	1700 x 750 x 450		3465 CFXXS						
	1800 x 800 x 450		3466 CFXXS						
	1900 x 900 x 450		3467 CFXXS						
BetteLux Oval I Silhouette	1700 x 800 x 450		3415 CWWVS						
	1800 x 850 x 450		3416 CWWVS						
	1900 x 950 x 450		3417 CWWVS						
BetteLux Oval IV Silhouette	1750 x 800 x 450		3425 CERVS						
	1850 x 850 x 450		3426 CERVS						
	1950 x 950 x 450		3427 CERVS						
BetteLux Oval V Silhouette	1750 x 800 x 450		3435 CELVS						
	1850 x 850 x 450		3436 CELVS						
	1950 x 950 x 450		3437 CELVS						
BetteLux Shape	1700 x 750 x 450		3451						
	1800 x 800 x 450		3452						
	1900 x 900 x 450		3453						
BetteOcean	1500 x 700 x 450	No. 1	8858	1550	1500	750	700	x	x
	1500 x 700 x 450	No. 2	8859	1550	1500	750	700	x	x
	1600 x 700 x 450	No. 1	8850	1650	1600	750	700	x	x
	1600 x 700 x 450	No. 2	8851	1650	1600	750	700	x	x
	1700 x 700 x 450	No. 1	8852	1750	1700	750	700	x	x
	1700 x 700 x 450	No. 2	8853	1750	1700	750	700	x	x
	1700 x 750 x 450	No. 1	8854	1750	1700	800	750	x	x
	1700 x 750 x 450	No. 2	8855	1750	1700	800	750	x	x
	1700 x 800 x 450	No. 1	8765	1750	1700	850	800	x	x
	1700 x 800 x 450	No. 2	8865	1750	1700	850	800	x	x
	1800 x 800 x 450	No. 1	8856	1850	1800	850	800	x	x
	1800 x 800 x 450	No. 2	8857	1850	1800	850	800	x	x
BetteOcean Low-Line	1500 x 700 x 380	No. 1	8841	1550	1500	750	700	x	x
	1500 x 700 x 380	No. 2	8842	1550	1500	750	700	x	x
	1600 x 700 x 380	No. 1	8830	1650	1600	750	700	x	x
	1600 x 700 x 380	No. 2	8831	1650	1600	750	700	x	x
	1700 x 700 x 380	No. 1	8832	1750	1700	750	700	x	x
	1700 x 700 x 380	No. 2	8833	1750	1700	750	700	x	x
	1700 x 750 x 380	No. 1	8834	1750	1700	800	750	x	x
	1700 x 750 x 380	No. 2	8835	1750	1700	800	750	x	x
	1700 x 800 x 380	No. 1	8836	1750	1700	850	800	x	x
	1700 x 800 x 380	No. 2	8837	1750	1700	850	800	x	x
	1800 x 800 x 380	No. 1	8838	1850	1800	850	800	x	x
	1800 x 800 x 380	No. 2	8839	1850	1800	850	800	x	x

Special Size, BetteUpstand, Profi Corner Overview

Information

Many baths and showers can be adapted to special size. If using the minimum length for baths, arrangement of the tap holes at the foot end is no longer possible. The dimensions of the bath interior remain the same.

Please note that on showers with shank length > 1200 mm are supplied with a 50 mm rim (instead of 30 mm). In these cases, only the BetteLevel and the Foot-System can be used for the assembly.

Please note that the shower tray rim width is reduced in conjunction with custom tailoring. In these cases, the minimum tray support and the BetteLevel mounting foot can no longer be used.

The combination options of the whirlsystems need to be checked individually.

price

description	see	price
BetteUpstand	p. 264	from 367 €
Profi Corner	p. 268	from 350 €
Special size	p. 270	350 €
Special size Foot-System	p. 270	32 €
Special size Installation System	p. 270	60 €

Overview

model	dimensions in mm	variant	article no.	max. length	min. length	max. width	min. width	BetteUpstand	Profi Corner
BetteOne	1600 x 700 x 420		3310	1650	1520	750	650	x	x
	1700 x 700 x 420		3311	1750	1650	750	650	x	x
	1700 x 750 x 420		3312	1750	1620	800	670	x	x
	1800 x 800 x 420		3313	1850	1720	850	710	x	x
	1900 x 900 x 420		3314						x
BetteOne Relax	1800 x 800 x 450		3323	1850	1700	850	700	x	x
	1900 x 900 x 450		3324						x
	2000 x 900 x 450		3325						x
BettePond	1500 x 1500 x 450		6045						
BettePond Silhouette	1500 x 1500 x 450		6045 CFXXS						
BetteSelect	1600 x 700 x 420		3410	1650	1550	750	685	x	x
	1700 x 700 x 420		3411	1750	1650	750	685	x	x
	1700 x 750 x 420		3412	1750	1650	800	735	x	x
	1800 x 800 x 420		3413	1850	1750	850	785	x	x
BetteSelect Duo	1700 x 750 x 420		3472	1750	1700	800	720	x	x
	1800 x 800 x 420		3473	1850	1800	850	770	x	x
BetteSelect with side overflow	1600 x 700 x 420	No. 1	3420	1650	1550	750	685	x	x
	1600 x 700 x 420	No. 2	3430	1650	1550	750	685	x	x
	1700 x 700 x 420	No. 1	3421	1750	1650	750	685	x	x
	1700 x 700 x 420	No. 2	3431	1750	1650	750	685	x	x
	1700 x 750 x 420	No. 1	3422	1750	1650	800	735	x	x
	1700 x 750 x 420	No. 2	3432	1750	1650	800	735	x	x
	1800 x 800 x 420	No. 1	3423	1850	1750	850	785	x	x
	1800 x 800 x 420	No. 2	3433	1850	1750	850	785	x	x
BetteSet	1500 x 750 x 380		2560	1550	1450	800	750	x	x
	1600 x 700 x 380		3650	1650	1550	750	700	x	x
	1600 x 750 x 380		3660	1650	1550	800	750	x	x
	1650 x 750 x 380		3560					x	x
	1700 x 750 x 380		3060	1750	1650	800	750	x	x
	1700 x 800 x 380		3760	1750	1700	850	800	x	x
	1800 x 800 x 380		3860	1850	1750	800	800	x	x
BetteSpace L	1700 x 1300 x 420	No. 1	1132					x	
	1700 x 1300 x 420	No. 2	1142					x	
BetteSpace M	1700 x 900 x 420	No. 1	1131					x	
	1700 x 900 x 420	No. 2	1141					x	
BetteSpace S	1700 x 750 x 420	No. 1	1130					x	
	1700 x 750 x 420	No. 2	1140					x	

model	dimensions in mm	variant	article no.	max. length	min. length	max. width	min. width	BetteUpstand	Profi Corner
BetteStarlet	1500 x 800 x 420		1210					x	x
	1570 x 700 x 420		2590					x	x
	1600 x 650 x 420		2540	1650	1550	750	650	x	x
	1600 x 700 x 420		1220	1650	1550	750	650	x	x
	1650 x 700 x 420		1230					x	x
	1700 x 700 x 420		1730	1750	1650	800	700	x	x
	1700 x 750 x 420		1380	1750	1650	800	700	x	x
	1750 x 800 x 420		1450	1750	1650	800	700	x	x
	1800 x 750 x 420		1430	1850	1750	800	750	x	x
	1800 x 800 x 420		1630	1850	1750	850	750	x	x
	1850 x 850 x 420		1631	1850	1750	850	750	x	x
1900 x 900 x 420		1830	1950	1850	950	850		x	
BetteStarlet I	1650 x 750 x 420		8300						x
	1750 x 800 x 420		8310						x
	1850 x 850 x 420		8320						x
BetteStarlet I Silhouette	1650 x 750 x 420		8300 CWVVK						
	1750 x 800 x 420		8310 CWVVK						
	1850 x 850 x 420		8320 CWVVK						
	1950 x 950 x 420		8325 CWVVK						
BetteStarlet IV	1650 x 750 x 420		6650						x
	1750 x 800 x 420		6660						x
	1850 x 850 x 420		6670						x
BetteStarlet IV Silhouette	1650 x 750 x 420		6650 CERVK						
	1750 x 800 x 420		6660 CERVK						
	1850 x 850 x 420		6670 CERVK						
	1950 x 950 x 420		6677 CERVK						
BetteStarlet V	1650 x 750 x 420		6680						x
	1750 x 800 x 420		6690						x
	1850 x 850 x 420		6700						x
BetteStarlet V Silhouette	1650 x 750 x 420		6680 CELVK						
	1750 x 800 x 420		6690 CELVK						
	1850 x 850 x 420		6700 CELVK						
	1950 x 950 x 420		6720 CELVK						
BetteStarlet Flair Oval	1580 x 680 x 420		8772						
	1680 x 730 x 420		8773						
	1780 x 780 x 420		8774						
	1880 x 880 x 420		8775						
BetteStarlet Hexa	1880 x 700 x 420		2040						
	2000 x 750 x 420		2060						
	2100 x 800 x 420		2080						
BetteStarlet Oval	1500 x 800 x 420		2700						
	1650 x 750 x 420		2720						
	1750 x 800 x 420		2680						
	1850 x 850 x 420		2740						
	1950 x 950 x 420		2745						
BetteStarlet Oval Silhouette	1500 x 800 x 420		2700 CFXXK						
	1650 x 750 x 420		2720 CFXXK						
	1750 x 800 x 420		2680 CFXXK						
	1850 x 850 x 420		2740 CFXXK						
	1950 x 950 x 420		2745 CFXXK						
BetteStarlet Spirit	1700 x 750 x 420		1384						
	1800 x 800 x 420		1634						
BetteStep	1050 x 650 x 420		1050	1100	1050	700	650	x	x
	1180 x 730 x 420		1060	1230	1180	780	730	x	x
BetteSuno Oval	1775 x 775 x 420		2740 CFXXSR						
LaBette	1080 x 730 x 380		1080	1130	1080	780	730	x	x
	1180 x 730 x 380		1180	1230	1130	780	730	x	x
	1200 x 700 x 390		1200	1250	1200	750	700	x	x
	1240 x 700 x 420		1240	1290	1190	750	700	x	x
	1300 x 700 x 390		1300	1350	1300	750	700	x	x

Special Size, BetteUpstand, Profi Corner Overview

Information

Many baths and showers can be adapted to special size. If using the minimum length for baths, arrangement of the tap holes at the foot end is no longer possible. The dimensions of the bath interior remain the same.

Please note that on showers with shank length > 1200 mm are supplied with a 50 mm rim (instead of 30 mm). In these cases, only the BetteLevel and the Foot-System can be used for the assembly.

Please note that the shower tray rim width is reduced in conjunction with custom tailoring. In these cases, the minimum tray support and the BetteLevel mounting foot can no longer be used.

The combination options of the whirlsystems need to be checked individually.

price

description	see	price
BetteUpstand	p. 264	from 367 €
Profi Corner	p. 268	from 350 €
Special size	p. 270	350 €
Special size Foot-System	p. 270	32 €
Special size Installation System	p. 270	60 €

Overview

model	dimensions in mm	variant	article no.	max. length	min. length	max. width	min. width	BetteUpstand	Profi Corner
BetteAir	900 × 900		7350						
	1000 × 800		7358						
	1000 × 900		7351						
	1000 × 1000		7352						
	1100 × 900		7359						
	1100 × 1000		7360						
	1200 × 800		7353						
	1200 × 900		7354						
	1200 × 1000		7355						
	1200 × 1200		7361						
	1400 × 900		7356						
	1400 × 1000		7357						
	1500 × 900		7362						
	1500 × 1000		7363						
	1600 × 900		7364						
	1600 × 1000		7365						
	BetteFloor	800 × 800 × 30		5831					
900 × 700 × 30			5711						
900 × 750 × 30			5841						
900 × 800 × 30			8751						
900 × 900 × 30			5931						
1000 × 700 × 30			5881						
1000 × 750 × 30			1651						
1000 × 800 × 30			5491						
1000 × 900 × 30			1661						
1000 × 1000 × 30			5941						
1100 × 750 × 30			8732						
1100 × 800 × 30			8731						
1100 × 900 × 30			8631						
1100 × 1000 × 30			8735						
1200 × 700 × 30			1672						
1200 × 750 × 30			1671						
1200 × 800 × 30			1681						
1200 × 900 × 30			1261						
1200 × 1000 × 30			8661						
1200 × 1200 × 30			8721						
1300 × 750 × 30			5797						
1300 × 800 × 30			5793						

model	dimensions in mm	variant	article no.	max. length	min. length	max. width	min. width	BetteUpstand	Profi Corner
	1300 x 900 x 30		5791						
	1300 x 1000 x 30		5794						
	1400 x 700 x 30		5803						
	1400 x 750 x 30		5802						
	1400 x 800 x 30		5801						
	1400 x 900 x 30		5836						
	1400 x 1000 x 30		5851						
	1500 x 700 x 30		5938						
	1500 x 750 x 30		5939						
	1500 x 800 x 30		5937						
	1500 x 900 x 30		5936						
	1500 x 1000 x 30		5946						
	1600 x 700 x 30		5948						
	1600 x 750 x 30		5949						
	1600 x 800 x 30		5957						
	1600 x 900 x 30		5966						
	1600 x 1000 x 30		5969						
	1700 x 750 x 30		5994						
	1700 x 800 x 30		5989						
	1700 x 900 x 30		5991						
	1700 x 1000 x 30		5817						
	1800 x 800 x 30		5981						
	1800 x 900 x 30		5988						
	1800 x 1000 x 30		5818						
BetteFloor Side	900 x 900 x 30		3381					x	
	1000 x 800 x 30		3388					x	
	1000 x 900 x 30		3385					x	
	1000 x 1000 x 30		3382					x	
	1100 x 800 x 30		3374					x	
	1100 x 900 x 30		3396					x	
	1200 x 800 x 30		3387					x	
	1200 x 900 x 30		3380					x	
	1200 x 1000 x 30		3383					x	
	1200 x 1200 x 30		3391					x	
	1300 x 900 x 30		3398					x	
	1300 x 1000 x 30		3399					x	
	1400 x 800 x 30		3379					x	
	1400 x 900 x 30		3384					x	
	1400 x 1000 x 30		3386					x	
	1400 x 1200 x 30		3394						
	1500 x 900 x 30		3393					x	
	1500 x 1000 x 30		3389					x	
	1500 x 1200 x 30		3395						
	1600 x 800 x 30		3375					x	
	1600 x 900 x 30		3390					x	
	1600 x 1000 x 30		3397					x	
	1600 x 1200 x 30		3392						
	1700 x 900 x 30		3376					x	
	1800 x 900 x 30		3377						
	1800 x 1000 x 30		3378						
BetteUltra 700-900 mm	700 x 700		5719	750	650	750	650	x	x
	750 x 750		5529	800	700	800	700	x	x
	800 x 700		5679	850	750	750	650	x	x
	800 x 750		5669	850	750	800	700	x	x
	800 x 800		5830	850	750	850	750	x	x
	850 x 850		1589					x	x
	900 x 600		8600	950	850	650	550	x	x
	900 x 700		5709	950	850	750	650	x	x
	900 x 750		5840	950	850	800	700	x	x
	900 x 800		8750	950	850	850	750	x	x
	900 x 850		1559					x	x
	900 x 900		5930	950	850	950	850	x	x
BetteUltra 1000 mm	1000 x 700		5879	1050	950	750	650	x	x
	1000 x 750		1650	1050	950	800	700	x	x
	1000 x 800		5490	1050	950	850	750	x	x
	1000 x 900		1660	1050	950	950	850	x	x
	1000 x 1000		5940	1050	950	1050	950	x	x

Special Size, BetteUpstand, Profi Corner Overview

Information

Many baths and showers can be adapted to special size. If using the minimum length for baths, arrangement of the tap holes at the foot end is no longer possible. The dimensions of the bath interior remain the same.

Please note that on showers with shank length > 1200 mm are supplied with a 50 mm rim (instead of 30 mm). In these cases, only the BetteLevel and the Foot-System can be used for the assembly.

Please note that the shower tray rim width is reduced in conjunction with custom tailoring. In these cases, the minimum tray support and the BetteLevel mounting foot can no longer be used.

The combination options of the whirlsystems need to be checked individually.

price

description	see	price
BetteUpstand	p. 264	from 367 €
Profi Corner	p. 268	from 350 €
Special size	p. 270	350 €
Special size Foot-System	p. 270	32 €
Special size Installation System	p. 270	60 €

Overview

model	dimensions in mm	variant	article no.	max. length	min. length	max. width	min. width	BetteUpstand	Profi Corner
BetteUltra 1050-1500 mm	1050 x 750 x 35		8710					x	x
	1100 x 700 x 35		8725	1150	1050	750	650	x	x
	1100 x 750 x 35		8727	1150	1050	800	700	x	x
	1100 x 800 x 35		8729	1150	1050	850	750	x	x
	1100 x 900 x 35		8630	1150	1050	950	850	x	x
	1100 x 1000 x 35		8737	1150	1050	1050	950	x	x
	1100 x 1100 x 35		8743	1150	1050	1150	1050	x	x
	1200 x 700 x 35		5979	1250	1150	750	650	x	x
	1200 x 750 x 35		1670	1250	1150	800	700	x	x
	1200 x 800 x 35		1680	1250	1150	850	750	x	x
	1200 x 900 x 35		1260	1250	1150	950	850	x	x
	1200 x 1000 x 35		8660	1250	1150	1050	950	x	x
	1200 x 1100 x 35		8664	1250	1150	1150	1050	x	x
	1200 x 1200 x 35		8720	1250	1150	1250	1150	x	x
	1300 x 700 x 35		5784	1350	1270	750	670	x	x
	1300 x 750 x 35		5785	1350	1270	750	670	x	x
	1300 x 800 x 35		5786	1350	1250	850	750	x	x
	1300 x 900 x 35		5795	1350	1250	950	850	x	x
	1300 x 1000 x 35		5788	1350	1250	1050	950	x	x
	1300 x 1300 x 35		5826	1350	1250	1350	1250	x	
	1400 x 700 x 35		5824	1450	1350	750	650	x	x
	1400 x 750 x 35		5814					x	x
	1400 x 800 x 35		5804	1450	1350	850	750	x	x
	1400 x 900 x 35		5834	1450	1350	950	850	x	x
	1400 x 1000 x 35		5838	1450	1350	1050	950	x	x
	1400 x 1400 x 35		5828	1450	1350	1450	1350	x	
	1500 x 700 x 35		5914	1550	1450	750	650	x	x
	1500 x 750 x 35		5924					x	x
	1500 x 800 x 35		5932	1550	1450	850	750	x	x
	1500 x 900 x 35		5934	1550	1450	950	850	x	x
1500 x 1000 x 35		5944	1550	1450	1050	950	x	x	
1500 x 1500 x 35		5984						x	
BetteUltra 1600-2000 mm	1600 x 700 x 35		5951	1650	1550	750	650	x	x
	1600 x 750 x 35		5953	1650	1550	800	700	x	x
	1600 x 800 x 35		5955	1650	1550	850	750	x	x
	1600 x 900 x 35		5961	1650	1550	950	850	x	x
	1600 x 1000 x 35		5967	1650	1550	1050	950	x	x
	1700 x 700 x 35		5992	1750	1650	750	650	x	x

model	dimensions in mm	variant	article no.	max. length	min. length	max. width	min. width	BetteUpstand	Profi Corner
	1700 x 750 x 35		5996	1750	1700	800	750	x	x
	1700 x 800 x 35		5971	1750	1650	850	750	x	x
	1700 x 900 x 35		5998	1750	1650	950	850	x	x
	1700 x 1000 x 35		5806	1750	1650	1050	950	x	x
	1800 x 800 x 35		5986	1850	1750	850	750	x	x
	1800 x 900 x 35		5982	1850	1750	950	850	x	x
	1800 x 1000 x 35		5808	1850	1750	1050	950	x	x
	1900 x 900 x 35		5973	1950	1850	950	850	x	x
	2000 x 900 x 35		5974	2000	1950	950	850	x	x
BetteUltra Space	800 x 750		4003						
	800 x 800		4004						
	900 x 700		4007						
	900 x 750		4008						
	900 x 800		4009						
	900 x 850		4010						
	900 x 900		4011						
	1000 x 700		4012						
	1000 x 750		4013						
	1000 x 800		4014						
	1000 x 900		4015						
	1000 x 1000		4016						
	1100 x 750		4019						
	1100 x 800		4020						
	1100 x 900		4021						
	1100 x 1000		4022						
	1200 x 700		4024						
	1200 x 750		4025						
	1200 x 800		4026						
	1200 x 900		4027						
	1200 x 1000		4028						
	1200 x 1200		4030						
	1300 x 800		4033						
	1300 x 900		4034						
	1400 x 700		4037						
	1400 x 750		4038						
	1400 x 800		4039						
	1400 x 900		4040						
	1400 x 1000		4041						
	1500 x 800		4045						
	1500 x 900		4046						
	1500 x 1000		4047						
	1600 x 700		4049						
	1600 x 750		4050						
	1600 x 800		4051						
	1600 x 900		4052						
	1600 x 1000		4053						
	1700 x 700		4054						
	1700 x 750		4055						
	1700 x 800		4056						
BetteSupra 700-900 mm	700 x 700 x 65		5720	750	670	750	670	x	x
	750 x 700 x 65		5360					x	x
	750 x 750 x 65		5530	800	720	800	720	x	x
	800 x 700 x 65		5680	850	770	750	670	x	x
	800 x 750 x 65		5670	850	770	800	720	x	x
	800 x 800 x 65		5820	850	770	850	770	x	x
	850 x 700 x 65		5780					x	x
	850 x 750 x 65		1570					x	x
	850 x 850 x 65		1590					x	x
	900 x 600 x 65		8610	950	870	650	570	x	x
	900 x 700 x 65		5710	950	870	750	670	x	x
	900 x 750 x 65		5770	950	870	800	720	x	x
	900 x 800 x 65		5970	950	870	850	770	x	x
	900 x 850 x 65		1560					x	x
	900 x 900 x 65		5920	950	870	950	870	x	x

Special Size, BetteUpstand, Profi Corner Overview

Information

Many baths and showers can be adapted to special size. If using the minimum length for baths, arrangement of the tap holes at the foot end is no longer possible. The dimensions of the bath interior remain the same.

Please note that on showers with shank length > 1200 mm are supplied with a 50 mm rim (instead of 30 mm). In these cases, only the BetteLevel and the Foot-System can be used for the assembly.

Please note that the shower tray rim width is reduced in conjunction with custom tailoring. In these cases, the minimum tray support and the BetteLevel mounting foot can no longer be used.

The combination options of the whirlsystems need to be checked individually.

price

description	see	price
BetteUpstand	p. 264	from 367 €
Profi Corner	p. 268	from 350 €
Special size	p. 270	350 €
Special size Foot-System	p. 270	32 €
Special size Installation System	p. 270	60 €

Overview

model	dimensions in mm	variant	article no.	max. length	min. length	max. width	min. width	BetteUpstand	Profi Corner
BetteSupra 1000-1500 mm	1000 x 700 x 65		5880	1050	970	750	670	x	x
	1000 x 750 x 65		5550	1050	970	800	720	x	x
	1000 x 800 x 65		5520	1050	970	850	770	x	x
	1000 x 900 x 65		5380	1050	970	950	870	x	x
	1000 x 1000 x 65		5620	1050	970	1050	970	x	x
	1050 x 750 x 65		8690					x	x
	1100 x 700 x 65		8726	1150	1070	750	670	x	x
	1100 x 750 x 65		8728	1150	1070	800	720	x	x
	1100 x 800 x 65		8730					x	x
	1100 x 900 x 65		8640	1150	1070	950	870	x	x
	1100 x 1000 x 65		8738	1150	1070	1050	970	x	x
	1100 x 1100 x 65		8744	1150	1070	1150	1070	x	x
	1200 x 700 x 65		5980	1250	1170	750	670	x	x
	1200 x 750 x 65		5570	1250	1170	800	720	x	x
	1200 x 800 x 65		5870	1250	1170	850	770	x	x
	1200 x 900 x 65		1690	1250	1170	950	870	x	x
	1200 x 1000 x 65		8670	1250	1170	1050	970	x	x
	1200 x 1100 x 65		8665	1250	1170	1150	1070	x	x
	1200 x 1200 x 65		5630	1250	1170	1250	1170	x	x
	1300 x 800 x 65		5787	1350	1270	850	770	x	x
	1300 x 900 x 65		5796	1350	1270	950	870	x	x
	1300 x 1000 x 65		5789	1350	1270	1050	970	x	x
	1300 x 1300 x 65		5827	1350	1270	1350	1270	x	
	1400 x 700 x 65		5825	1450	1370	750	670	x	x
	1400 x 750 x 65		5815					x	x
	1400 x 800 x 65		5805	1450	1370	850	770	x	x
	1400 x 900 x 65		5835	1450	1370	950	870	x	x
	1400 x 1000 x 65		5839	1450	1370	1050	970	x	x
	1400 x 1400 x 65		5829	1450	1370	1450	1370	x	
	1500 x 700 x 65		5915	1550	1470	750	670	x	x
	1500 x 750 x 65		5925					x	x
	1500 x 800 x 65		5933	1550	1470	850	770	x	x
	1500 x 900 x 65		5935	1550	1470	950	870	x	x
	1500 x 1000 x 65		5945	1550	1470	1050	970	x	x

model	dimensions in mm	variant	article no.	max. length	min. length	max. width	min. width	BetteUpstand	Profi Corner
BetteSupra 1600-1800 mm	1600 x 700 x 65		5952	1650	1570	750	670	x	x
	1600 x 750 x 65		5954	1650	1570	800	720	x	x
	1600 x 800 x 65		5956	1650	1570	850	770	x	x
	1600 x 900 x 65		5962	1650	1570	950	870	x	x
	1600 x 1000 x 65		5968	1650	1570	1050	970	x	x
	1700 x 700 x 65		5993	1750	1670	750	670	x	x
	1700 x 750 x 65		5997	1750	1700	800	750	x	x
	1700 x 800 x 65		5972	1750	1650	850	750	x	x
	1700 x 900 x 65		5999	1750	1670	950	870	x	x
	1700 x 1000 x 65		5807	1750	1670	1050	970	x	x
	1800 x 800 x 65		5987	1850	1770	850	770	x	x
	1800 x 900 x 65		5983	1850	1770	950	870	x	x
	1800 x 1000 x 65		5809	1850	1770	1050	970	x	x
	BetteQuinta 700-900 mm	700 x 700 x 150		5700	750	700	750	700	x
750 x 700 x 150			5370	800	750	750	700	x	x
750 x 750 x 150			5540	800	750	800	750	x	x
800 x 700 x 150			5690	850	800	750	700	x	x
800 x 750 x 150			5650	850	800	800	750	x	x
800 x 800 x 150			5800	850	800	850	800	x	x
850 x 700 x 150			5790					x	x
850 x 750 x 150			1910					x	x
850 x 850 x 150			1920					x	x
900 x 600 x 150			8620	950	900	650	600	x	x
900 x 700 x 150			5730	950	900	750	700	x	x
900 x 750 x 150			5750	950	900	800	750	x	x
900 x 800 x 150			5950	950	900	850	800	x	x
900 x 850 x 150			1900					x	x
900 x 900 x 150		5900	950	900	950	900	x	x	
BetteQuinta 1000-1200 mm	1000 x 700 x 150		5890	1050	1000	750	700	x	x
	1000 x 750 x 150		5560	1050	1000	800	750	x	x
	1000 x 800 x 150		5500	1050	1000	850	800	x	x
	1000 x 900 x 150		5390	1050	1000	950	900	x	x
	1000 x 1000 x 150		5600	1050	1000	1050	1000	x	x
	1050 x 750 x 150		8700					x	x
	1100 x 800 x 150		8740					x	x
	1100 x 900 x 150		8650	1150	1100	950	900	x	x
	1200 x 700 x 150		5990	1250	1200	750	700	x	x
	1200 x 750 x 150		5580	1250	1200	800	750	x	x
	1200 x 800 x 150		5850	1250	1200	850	800	x	x
	1200 x 900 x 150		1290	1250	1200	950	900	x	x
	1200 x 1000 x 150		8680	1250	1200	1050	1000	x	x
	1200 x 1200 x 150		5640	1250	1200	1250	1200	x	x
BetteDelta 800-900 mm	800 x 750 x 280		5660	850	800	800	750	x	x
	800 x 800 x 280		5810	850	800	850	800	x	x
	900 x 700 x 280		5740	950	900	750	700	x	x
	900 x 750 x 280		5760	950	900	800	750	x	x
	900 x 800 x 280		5960	950	900	850	800	x	x
	900 x 900 x 280		5910	950	900	950	900	x	x
BetteDelta 1000-1200 mm	1000 x 800 x 280		5510	1050	1000	850	800	x	x
	1000 x 1000 x 280		5610	1050	1000	1050	1000	x	x
	1200 x 800 x 280		5860	1250	1200	850	800	x	x
BetteCaro 35 mm, same shank length	800 x 800 x 35		5319					x	x
	900 x 900 x 35		7189					x	x
	1000 x 1000 x 35		7219					x	x
BetteCorner 35 mm, same shank length	800 x 800 x 35		5399					x	x
	900 x 900 x 35		5429					x	x
	1000 x 1000 x 35		5459					x	x
BetteCorner 35 mm, different shank length	750 x 900 x 35		8119					x	x
	800 x 900 x 35		5401					x	x
	900 x 750 x 35		8159					x	x
	900 x 800 x 35		5404					x	x
	900 x 1000 x 35		5461					x	x
	1000 x 900 x 35		5464					x	x

Extras

01	Grips	07	Special size
02	BetteAnti-Slip Pro	08	BetteUpstand
03	BetteAnti-Slip Sense	09	BetteAirJet Plus Whirlsystem
04	BetteAntinoise System	10	BetteJet Whirlsystem
05	Drillings	11	BetteSpa Whirlsystem
06	Profi Corner		

+ = against surcharge
 o = without surcharge
 1 pc. / 2 pcs. = Grips against surcharge
 ↗ = special information

description	01	02	03	04	05	06	07	08	09	10	11
BetteArt			+	o							
BetteArt I			+	o	+						
BetteArt IV			+	o	+						
BetteArt V			+	o	+						
BetteBambino	1		+	+	+	+			+	+	+
BetteClassic	2		+	o	+	↗	↗	↗	+	+	+
BetteComodo	2		+	o	+	+	↗	↗	+	+	+
BetteComodo with side overflow	2		+	o	+	+	↗	↗	+	+	+
BetteDuett	1		+	o	+	+	↗	↗	+	+	+
BetteDuo	1		+	o	+	+	+	+	+	+	+
BetteEve			+	o	+	+		+	+	+	+
BetteEve Oval			+	o					+	+	+
BetteEve Oval Silhouette			+	o							+
BetteForm	2		+	+	+	+	+	↗	+	+	+
BetteFree			+	o	+				+	+	+
BetteLoft			+	o	↗				+	+	+
BetteLoft Ornament			+	o							
BetteLux			+	o	+				+	+	+
BetteLux Oval			+	o	+				+	+	+
BetteLux Oval Couture			+	o							
BetteLux Oval Silhouette			+	o							+
BetteLux Oval I Silhouette			+	o	+						+
BetteLux Oval IV Silhouette			+	o	+						+
BetteLux Oval V Silhouette			+	o	+						+
BetteLux Shape			+								
BetteOcean	1		+	o	+	+	↗	+		+	+
BetteOcean Low-Line	1		+	o	+	+		+			+
BetteOne	1		+	o	+	+	↗	↗		+	+
BetteOne Relax	2		+	o	+	+	↗	↗	+	+	+
BettePond			+	o						+	+
BettePond Silhouette			+	o							+
BetteSelect	2		+	o	+	+	+	+	+	+	+
BetteSelect Duo	1		+	o	+	+	+	+	+	+	+
BetteSelect with side overflow	1		+	o	+	+	+	+	+	+	+
BetteSet	2		+	o	+	+	↗	+	+	+	+
BetteSpace L	1		+	o	+			+	+	+	+
BetteSpace M	1		+	o				+	+	+	+
BetteSpace S	1		+	o	↗			+	+	+	+
BetteStarlet	1		+	o	+	+	↗	↗	+	+	+
BetteStarlet I	1		+	o	+	+			+	+	+
BetteStarlet I Silhouette	1		+	o	+						+
BetteStarlet IV	1		+	o	+	+			+	+	+
BetteStarlet IV Silhouette	1		+	o	+						+
BetteStarlet V	1		+	o	+	+			+	+	+
BetteStarlet V Silhouette	1		+	o	+						+
BetteStarlet Flair Oval	1		+	o	↗				+	+	+
BetteStarlet Hexa	1		+	o	+				+	+	+
BetteStarlet Oval	1		+	o	+				↗	↗	↗
BetteStarlet Oval Silhouette	1		+	o	+						↗
BetteStarlet Spirit	1		+	o	+				+	+	+
BetteStep	2		+	o	+	+	+	+			
BetteSuno Oval	1		+	o							
LaBette	2		+	o	+	+	+	+			

Extras

- | | |
|--------------------------|---------------------------------|
| 01 Grips | 07 Special size |
| 02 BetteAnti-Slip Pro | 08 BetteUpstand |
| 03 BetteAnti-Slip Sense | 09 BetteAirJet Plus Whirlsystem |
| 04 BetteAntinoise System | 10 BetteJet Whirlsystem |
| 05 Drillings | 11 BetteSpa Whirlsystem |
| 06 Profi Corner | |

+ = against surcharge
 o = without surcharge
 1 pc. / 2 pcs. = Grips against surcharge
 ↗ = special information

description	01	02	03	04	05	06	07	08	09	10	11
BetteAir			+	o							
BetteFloor		+	+	o							
BetteFloor Side		+	+	o				↗			
BetteUltra 700-900 mm		+	+	o	↗	+	↗	+			
BetteUltra 1000 mm		+	+	o		+	+	+			
BetteUltra 1050-1500 mm		↗	+	o	↗	↗	↗	↗			
BetteUltra 1600-2000 mm			+	o	↗	+	+	+			
BetteUltra Space		↗	↗								
BetteSupra 700-900 mm		+	+	o	↗	+	↗	+			
BetteSupra 1000-1500 mm		+	+	o	↗	↗	↗	↗			
BetteSupra 1600-1800 mm		+	+	o		+	+	+			
BetteQuinta 700-900 mm			+	+	↗	+	↗	+			
BetteQuinta 1000-1200 mm			+	+		+	+	+			
BetteDelta 800-900 mm			+	+	↗	+	+	+			
BetteDelta 1000-1200 mm			+	+		+	+	+			
BetteCaro 35 mm, same shank length			+					+			
BetteCorner 35 mm, same shank length		+	+	o		+		+			
BetteCorner 35 mm, different shank length		+	+	o		+		+			

Accessories

Waste and overflow

- 305 BetteSensory
- 292 Hair Trap for wastes
- 290 Spare covers waste fittings showers
- 286 Waste fittings showers
- 294 Waste and overflow fittings for baths

Installation aid

- 317 BetteLevel Locks
- 316 BetteLevel installation feet
- 315 BetteSimple Fix
- 308 Feet
- 327 Foam Central Support System
- 320 Foot-System
- 306 Installation Box BetteAir
- 319 Installation System Universal
- 307 Installation box BetteAir installation aid
- 314 Installation planning flush-to-floor showers
- 324 Minimum support Flex
- 310 Planning help installation systems
- 311 Planning help installation systems
- 312 Planning help installation systems
- 313 Planning help installation systems
- 326 Sealing Set BetteUpstand installation flush-to-floor
- 325 Sealing System
- 326 Sealing tape on roll
- 327 Sound insulation set
- 318 Support foot BetteLevel
- 327 Tile adhesive divider
- 327 Wall brackets

Washbasin accessories

- 330 Overflow cover
- 330 Pushwaste
- 329 Spare cover
- 328 Unslotted Waste
- 331 Waste and overflow fitting BetteFlow

Equipment / surface

- 335 Blind plugs for grip holes
- 332 Grips
- 335 LED-Colour Spot Light
- 335 Relax Bath cushion

Cleaning products

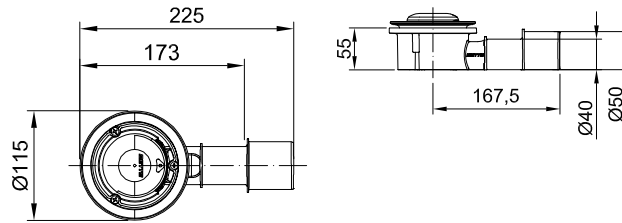
- 337 Bath Rubber
- 336 Care Cloth
- 336 Enamel Cleaner
- 336 Enamel Spray Cleaner
- 337 Remalle

Furniture

- 338 Standing Mirror
- 339 Stool
- 338 Towel Rail
- 339 Wooden Inserts

Waste fittings showers

BetteCompact+, side outlet - 0,5 l/s



Information

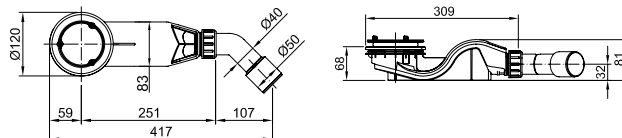
Drainage direction: lateral
 Installation height: 55 mm
 Waste diameter: 90 mm
 Drainage capacity: 0.5 l/s
 Water seal depth: 50 mm
 Certification: Quality-controlled according to EN 274 in accordance with DE25QPLO 002
 With removable odour trap.
 PP connections
 Please order the hair trap separately under order no. Z0020430.



PG	article no.	suitable for	Chrome 901	White and coloured → p. 291	White and coloured with Antislip Pro* White 000 with Anti-Slip Sense*
IN	B568-	BetteFloor	89 €	154 €	154 €
		BetteCaro 35 mm, same shank length			
		BetteCorner 35 mm, different shank length			
		BetteCorner 35 mm, same shank length			
		BetteFloor Side			
		BetteSupra 1000-1500 mm			
		BetteSupra 1600-1800 mm			
		BetteSupra 700-900 mm			
		BetteUltra 1000 mm			
		BetteUltra 1050-1500 mm			
		BetteUltra 1600-2000 mm			
		BetteUltra 700-900 mm			
		BetteUltra Space			

* Please also state code AY or AX, refer to page 5 for order information.

BetteSolid 50, side outlet - 0,6 l/s



Information

Drainage direction: lateral
 Installation height: 68 mm
 Waste diameter: 90 mm
 Drainage capacity: 0.6 l/s
 Water seal depth: 50 mm
 Certification: Quality-controlled according to EN 274
 Easy access for cleaning.

Scope of delivery:
 incl. hair trap.

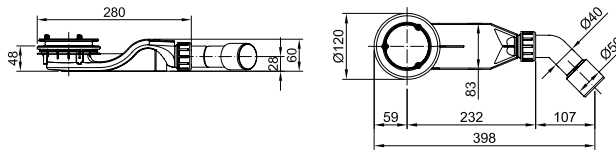


PG	article no.	suitable for	Chrome 901	White and coloured → p. 290	White and coloured with Antislip Pro* White 000 with Anti-Slip Sense*
IN	B598-	BetteFloor	163 €	217 €	217 €
		BetteCaro 35 mm, same shank length			
		BetteCorner 35 mm, different shank length			
		BetteCorner 35 mm, same shank length			
		BetteFloor Side			
		BetteSupra 1000-1500 mm			
		BetteSupra 1600-1800 mm			
		BetteSupra 700-900 mm			
		BetteUltra 1000 mm			
		BetteUltra 1050-1500 mm			
		BetteUltra 1600-2000 mm			
		BetteUltra 700-900 mm			
		BetteUltra Space			

* Please also state code AY or AX, refer to page 5 for order information.

Waste fittings showers

BetteSolid 30, side outlet - 0,6 l/s



Information

Drainage direction: lateral
 Installation height: 48 mm
 Waste diameter: 90 mm
 Drainage capacity: 0.6 l/s
 Water seal depth: 30 mm
 Easy Access for cleaning.

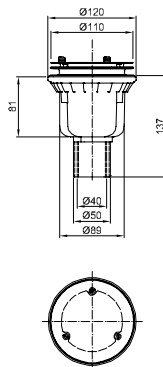
Scope of delivery:
 Incl. hair trap.



PG	article no.	suitable for	Chrome 901	White and coloured → p. 290	White and coloured with Antislip Pro* White 000 with Anti-Slip Sense*
IN	B597-	BetteFloor	163 €	217 €	217 €
		BetteCaro 35 mm, same shank length			
		BetteCorner 35 mm, different shank length			
		BetteCorner 35 mm, same shank length			
		BetteFloor Side			
		BetteSupra 1000-1500 mm			
		BetteSupra 1600-1800 mm			
		BetteSupra 700-900 mm			
		BetteUltra 1000 mm			
		BetteUltra 1050-1500 mm			
		BetteUltra 1600-2000 mm			
		BetteUltra 700-900 mm			
		BetteUltra Space			

* Please also state code AY or AX, refer to page 5 for order Information.

BetteDown, vertical outlet - 0,6 l/s



Information

Drainage direction: vertical
 Installation height: 81 mm
 Waste diameter: 90 mm
 Drainage capacity: 0.6 l/s
 Water seal depth: 50 mm
 Certification: Quality-controlled according to EN 274

Please order the hair trap separately under order no. Z0020167.

Scope of delivery:
 With removable odour trap.

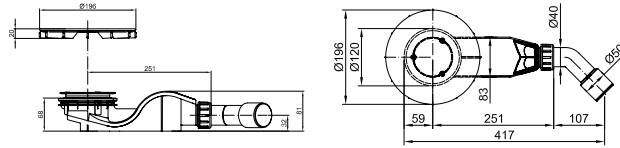


PG	article no.	suitable for	Chrome 901	White and coloured → p. 290	White and coloured with Antislip Pro* White 000 with Anti-Slip Sense*
IN	B594-	BetteFloor	171 €	225 €	225 €
		BetteCaro 35 mm, same shank length			
		BetteCorner 35 mm, different shank length			
		BetteCorner 35 mm, same shank length			
		BetteFloor Side			
		BetteSupra 1000-1500 mm			
		BetteSupra 1600-1800 mm			
		BetteSupra 700-900 mm			
		BetteUltra 1000 mm			
		BetteUltra 1050-1500 mm			
		BetteUltra 1600-2000 mm			
		BetteUltra 700-900 mm			
		BetteUltra Space			

* Please also state code AY or AX, refer to page 5 for order Information.

Waste fittings showers

BetteAir 50, side outlet - 0,6 l/s



Information

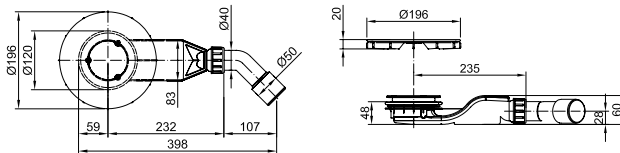
Drainage direction: lateral
 Installation height: 68 mm
 Drainage capacity: 0.6 l/s
 Water seal depth: 50 mm
 Certification: Quality-controlled according to EN 274 in accordance with ABP P-4096 TRLP
 Easy access for cleaning.

Please order the hair trap separately under order no. Z0017593.

PG	article no.	suitable for	White 000	coloured → p. 291	White and coloured with Antislip Pro* White 000 with Anti-Slip Sense*
IN	B525-	BetteAir	257 €	257 €	257 €

* Please also state code AY or AX, refer to page 5 for order Information.

BetteAir 30, side outlet - 0,6 l/s



Information

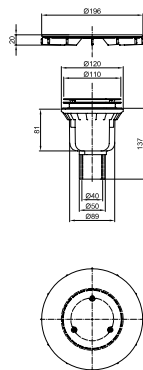
Drainage direction: lateral
 Installation height: 48 mm
 Drainage capacity: 0.6 l/s
 Water seal depth: 30 mm
 Easy access for cleaning.

Please order the hair trap separately under order no. Z0017593.

PG	article no.	suitable for	White 000	coloured → p. 291	White and coloured with Antislip Pro* White 000 with Anti-Slip Sense*
IN	B524-	BetteAir	257 €	257 €	257 €

* Please also state code AY or AX, refer to page 5 for order Information.

BetteAir Down, vertical outlet - 0,6 l/s



Information

Drainage direction: vertical
 Installation height: 81 mm
 Drainage capacity: 0.6 l/s
 Water seal depth: 50 mm
 Certification: Quality-controlled according to EN 274
 Easy access for cleaning.

Please order the hair trap separately under order no. Z0020167.

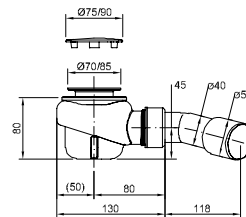
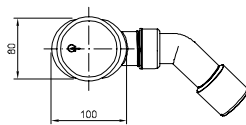
PG	article no.	suitable for	White 000	coloured → p. 291	White and coloured with Antislip Pro* White 000 with Anti-Slip Sense*
IN	B599-	BetteAir	266 €	266 €	266 €

* Please also state code AY or AX, refer to page 5 for order Information.

Scope of delivery:
 With removable odour trap.

Waste fittings showers

Shower waste Ø 52 mm, lateral



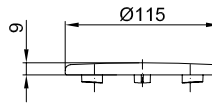
Information

Drainage direction: lateral
Installation height: 80 mm
Drainage capacity: 0.73 l/s
Water seal depth: 50 mm
Certification: Quality-controlled according to EN 274

PG	article no.	suitable for	Chrome 901
IN	B577-	BetteQuinta 700-900 mm BetteQuinta 1000-1200 mm	72 €



Glazed shower outlet cover



Information

In glazed titanium steel.

For waste fittings shower areas and trays Ø 90 mm.

Available in White (000), Pergamon (001), Manhattan (002), Bahama Beige (003), Edelweiss (004), Jasmin (006), Flanell (008), Ebony (035), Curry (040), Black (056), Starwhite (287), Salvia (307), Raven (400), Anthracite (401), Slate (402), Smoke (403), Graphite (404), Silver (410), Quartz (412), Dust (413), Flint (414), Cashmere (415), Stone (416), Hazel (417), Blue Satin (418), Beige (422), Flax (423), Sand (424), Greige (425), Ebano (434), Taupe (438), Cacao (439), Snow (440), Cream (441) and Midnight (790).

The colour Black (056) is not available with Antislip Pro.

Cannot be combined with BetteCompact.

PG	article no.	description	White and coloured	White and coloured with Antislip Pro* White 000 with Anti-Slip Sense*
CP	Y100	Glazed shower outlet cover	65 €	65 €

*Please also state code AY or AX, refer to page 5 for order Information.

Shower outlet cover



Information

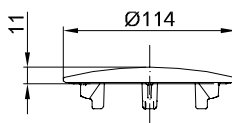
Waste cover made of chromed plastic.

For waste fittings shower areas and trays Ø 90 mm.

variant

PG	article no.	description	price
CP	Z0015725	Shower outlet cover	40 €

Glazed outlet cover BetteCompact+



Information

In glazed titanium steel.

For BetteCompact+ waste fittings.

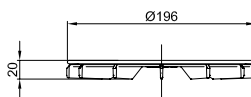
Available in White (000) and the Key Colours.

The colour Black (056) is not available with Antislip Pro.

PG	article no.	description	White and coloured	White and coloured with Antislip Pro* White 000 with Anti-Slip Sense*
CP	Y108	Glazed outlet cover BetteCompact+	65 €	65 €

*Please also state code AY or AX, refer to page 5 for order Information.

Glazed outlet cover BetteAir



Information

In glazed titanium steel.

For BetteAir waste fittings.

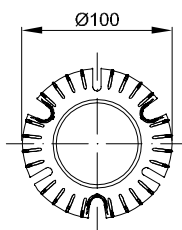
Available in White (000), Pergamon (001), Manhattan (002), Bahama Beige (003), Edelweiss (004), Jasmin (006), Flanell (008), Ebony (035), Curry (040), Black (056), Starwhite (287), Salvia (307), Raven (400), Anthracite (401), Slate (402), Smoke (403), Graphite (404), Silver (410), Quartz (412), Dust (413), Flint (414), Cashmere (415), Stone (416), Hazel (417), Blue Satin (418), Beige (422), Flax (423), Sand (424), Greige (425), Ebano (434), Taupe (438), Cacao (439), Snow (440), Cream (441) and Midnight (790).

The colour Black (056) is not available with Antislip Pro.

PG	article no.	description	White and coloured	White and coloured with Antislip Pro* White 000 with Anti-Slip Sense*
CP	Y102	Glazed outlet cover BetteAir	84 €	84 €

*Please also state code AY or AX, refer to page 5 for order Information.

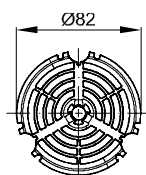
Hair trap for waste BetteCompact+



Variant

PG	article no.	description	price
CP	Z0020430	Hair trap for waste BetteCompact+	9 €

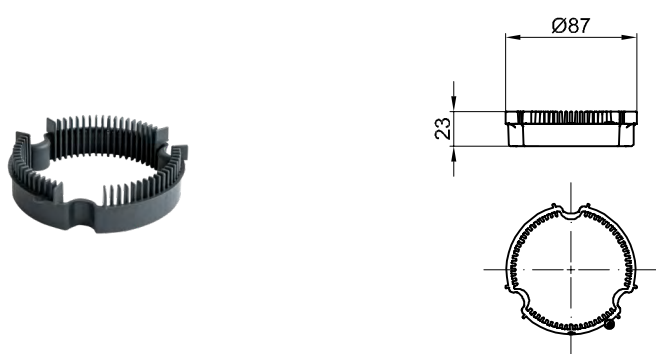
Hair trap for wastes BetteSolid and BetteAir



Variant

PG	article no.	description	price
CP	Z0017593	Hair trap for wastes BetteSolid and BetteAir	9 €

Hair trap for wastes BetteDown and BetteAir Down

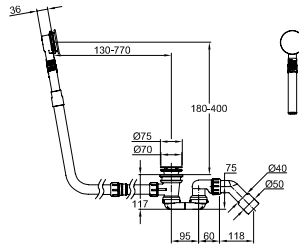


Variant

PG	article no.	description	price
CP	Z0020167	Hair trap for wastes BetteDown and BetteAir Down	13 €

Waste and overflow fittings for baths

BetteMono push control bath waste and overflow fitting, Ø52 mm, enamelled



Information

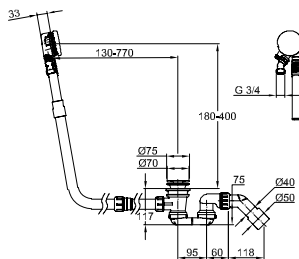
Installation height: 115 mm
 Waste diameter: 52 mm
 Drainage capacity: 0.92 l/s
 Water seal depth: 50 mm
 Overflow capacity: 0.63 l/s
 Certification: Quality-controlled according to EN 274
 Waste with click valve (push-to-open/close function)



PG	article no.	suitable for	White 000	Key Colours → cover
IN	B640-	BetteClassic	296 €	296 €
		BetteBambino		
		BetteComodo		
		BetteComodo with side overflow		
		BetteDuett		
		BetteDuo		
		BetteEve		
		BetteEve Oval		
		BetteForm		
		BetteFree		
		BetteLoft		
		BetteLux		
		BetteLux Oval		
		BetteOcean		
		BetteOcean Low-Line		
		BetteOne		
		BetteOne Relax		
		BettePond		
		BetteSelect		
		BetteSelect Duo		
		BetteSelect with side overflow		
		BetteSet		
		BetteSpace L		
		BetteSpace M		
		BetteSpace S		
		BetteStarlet		
		BetteStarlet Flair Oval		
		BetteStarlet Hexa		
		BetteStarlet I		
		BetteStarlet IV		
		BetteStarlet Oval		
		BetteStarlet Spirit		
		BetteStarlet V		
		BetteStep		
		LaBette		

Waste and overflow fittings for baths

BetteMono Flow push control bath waste and overflow filling fitting, Ø52 mm, enamelled



Information

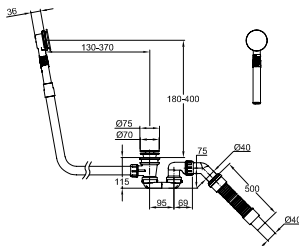
Installation height: 115 mm
 Waste diameter: 52 mm
 Drainage capacity: 0.92 l/s
 Water seal depth: 50 mm
 Overflow capacity: 0.63 l/s
 Certification: Quality-controlled according to EN 274
 Waste with click valve (push-to-open/close function)



PG	article no.	suitable for	White 000	Key Colours → cover
IN	B641-	BetteClassic	559 €	559 €
		BetteBambino		
		BetteComodo		
		BetteComodo with side overflow		
		BetteDuett		
		BetteEve		
		BetteEve Oval		
		BetteForm		
		BetteFree		
		BetteLoft		
		BetteLux		
		BetteLux Oval		
		BetteOcean		
		BetteOcean Low-Line		
		BetteOne		
		BetteOne Relax		
		BettePond		
		BetteSelect		
		BetteSelect Duo		
		BetteSelect with side overflow		
		BetteSet		
		BetteSpace L		
		BetteSpace M		
		BetteSpace S		
		BetteStarlet		
		BetteStarlet Flair Oval		
		BetteStarlet Hexa		
		BetteStarlet I		
		BetteStarlet IV		
		BetteStarlet Oval		
		BetteStarlet Spirit		
		BetteStarlet V		
		BetteStep		
		LaBette		

Waste and overflow fittings for baths

BetteMono Silhouette push control bath waste and overflow fitting, Ø52 mm, enamelled



Information

Installation height: 115 mm
 Waste diameter: 52 mm
 Drainage capacity: 0.92 l/s
 Water seal depth: 50 mm
 Overflow capacity: 0.63 l/s
 Certification: Quality-controlled according to EN 274

Waste with click valve (push-to-open/close function)

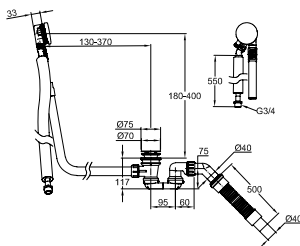
Scope of delivery:
 a flexible drain pipe for the installation is included



PG	article no.	suitable for	White 000	Key Colours → cover
IN	B642-	BetteEve Oval Silhouette	425 €	425 €
		BetteLoft Ornament		
		BetteLux Oval Couture		
		BetteLux Oval I Silhouette		
		BetteLux Oval IV Silhouette		
		BetteLux Oval Silhouette		
		BetteLux Oval V Silhouette		
		BettePond Silhouette		
		BetteStarlet I Silhouette		
		BetteStarlet IV Silhouette		
		BetteStarlet Oval Silhouette		
		BetteStarlet V Silhouette		
		BetteSuno Oval		

Waste and overflow fittings for baths

BetteMono Flow Silhouette push control bath waste and overflow filling fitting, Ø52 mm, enamelled



Information

Installation height: 115 mm
 Waste diameter: 52 mm
 Drainage capacity: 0.92 l/s
 Water seal depth: 50 mm
 Overflow capacity: 0.63 l/s
 Certification: Quality-controlled according to EN 274

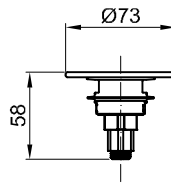
Waste with click valve (push-to-open/close function)

Scope of delivery:
 a water connection and a flexible drain pipe for the installation are included



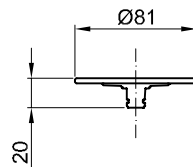
PG	article no.	suitable for	White 000	Key Colours → cover
IN	B643-	BetteEve Oval Silhouette	780 €	780 €
		BetteLoft Ornament		
		BetteLux Oval Couture		
		BetteLux Oval I Silhouette		
		BetteLux Oval IV Silhouette		
		BetteLux Oval Silhouette		
		BetteLux Oval V Silhouette		
		BettePond Silhouette		
		BetteStarlet I Silhouette		
		BetteStarlet IV Silhouette		
		BetteStarlet Oval Silhouette		
		BetteStarlet V Silhouette		
		BetteSuno Oval		

Glazed outlet cover BetteMono



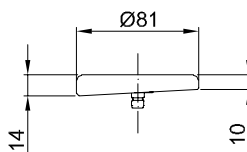
PG	article no.	description	White 000	Key Colours
CP	Y104	Glazed outlet cover BetteMono	78 €	→ cover 78 €

Glazed overflow cover BetteMono



PG	article no.	description	White 000	Key Colours
CP	Y103	Glazed overflow cover BetteMono	65 €	→ cover 65 €

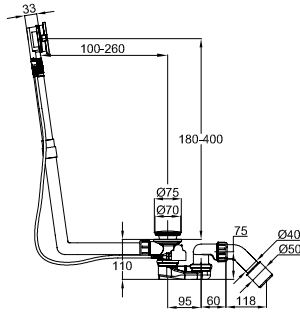
Glazed overflow cover BetteMono Flow



PG	article no.	description	White 000	Key Colours
CP	Y105	Glazed overflow cover BetteMono Flow	65 €	→ cover 65 €

Waste and overflow fittings for baths

Bath waste and overflow fitting Ø 52 mm, 560 mm



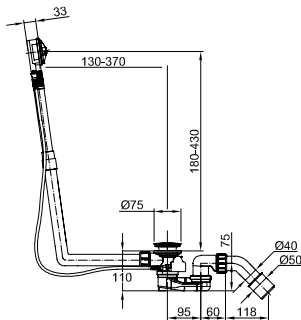
Information

Bowden cable length.: 40/50 x 560 mm
 Installation height: 110 mm
 Waste diameter: 52 mm
 Drainage capacity: 0.92 l/s
 Water seal depth: 50 mm
 Overflow capacity: 0.63 l/s
 Certification: Quality-controlled according to EN 274

PG	article no.	suitable for	Chrome 901
IN	B600-	BetteClassic	146 €
		BetteBambino	
		BetteDelta 1000-1200 mm	
		BetteDelta 800-900 mm	
		BetteDuett	
		BetteDuo	
		BetteForm	
		BetteSelect Duo	
		BetteSet	
		BetteSpace L	
		BetteSpace M	
		BetteSpace S	
		BetteStep	
		LaBette	



Bath waste and overflow fitting Ø 52 mm, 725 mm



Information

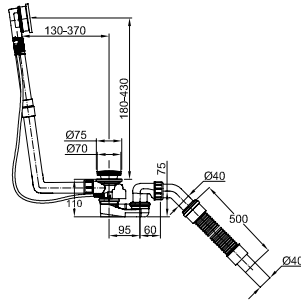
Bowden cable length.: 40/50 x 725 mm
 Installation height: 110 mm
 Waste diameter: 52 mm
 Drainage capacity: 0.92 l/s
 Water seal depth: 50 mm
 Overflow capacity: 0.63 l/s
 Certification: Quality-controlled according to EN 274

PG	article no.	suitable for	Chrome 901
IN	B602-	BetteComodo	150 €
		BetteComodo with side overflow	
		BetteFree	
		BetteLoft	
		BetteLux	
		BetteLux Oval	
		BetteOcean	
		BetteOcean Low-Line	
		BetteOne	
		BetteOne Relax	
		BettePond	
		BetteSelect with side overflow	
		BetteStarlet	
		BetteStarlet Flair Oval	
		BetteStarlet Hexa	
		BetteStarlet I	
		BetteStarlet IV	
		BetteStarlet Oval	
		BetteStarlet Spirit	
		BetteStarlet V	



Waste and overflow fittings for baths

Bath waste and overflow fitting Silhouette Ø 52 mm, 725 mm



Information

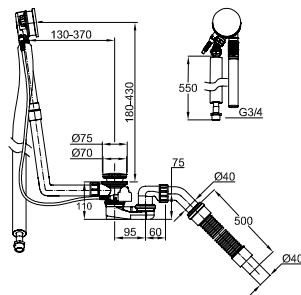
Bowden cable length.: 40/50 x 725 mm
 Installation height: 110 mm
 Waste diameter: 52 mm
 Drainage capacity: 0.92 l/s
 Water seal depth: 50 mm
 Overflow capacity: 0.63 l/s
 Certification: Quality-controlled according to EN 274

Scope of delivery:
 a flexible drain pipe for the installation is included



PG	article no.	suitable for	Chrome 901
IN	B601-	BetteLoft Ornament	209 €
		BetteLux Oval Couture	
		BetteLux Oval I Silhouette	
		BetteLux Oval IV Silhouette	
		BetteLux Oval Silhouette	
		BetteLux Oval V Silhouette	
		BettePond Silhouette	
		BetteStarlet I Silhouette	
		BetteStarlet IV Silhouette	
		BetteStarlet Oval Silhouette	
		BetteStarlet V Silhouette	
		BetteSuno Oval	

Bath filling, waste and overflow fitting unit Silhouette Ø 52 mm, 725 mm



Information

Bowden cable length.: 40/50 x 725 mm
 Installation height: 110 mm
 Waste diameter: 52 mm
 Drainage capacity: 0.92 l/s
 Water seal depth: 50 mm
 Overflow capacity: 0.63 l/s
 Certification: Quality-controlled according to EN 274

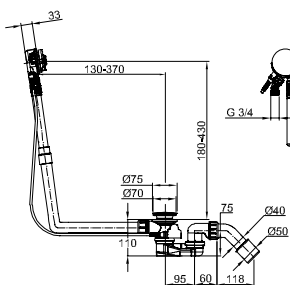
Scope of delivery:
 a flexible drain pipe for the installation is included



PG	article no.	suitable for	Chrome 901
IN	B605-	BetteLoft Ornament	591 €
		BetteLux Oval Couture	
		BetteLux Oval I Silhouette	
		BetteLux Oval IV Silhouette	
		BetteLux Oval Silhouette	
		BetteLux Oval V Silhouette	
		BettePond Silhouette	
		BetteStarlet I Silhouette	
		BetteStarlet IV Silhouette	
		BetteStarlet Oval Silhouette	
		BetteStarlet V Silhouette	
		BetteSuno Oval	

Waste and overflow fittings for baths

Bath filling, waste and overflow fitting unit Ø 52 mm, 725 mm



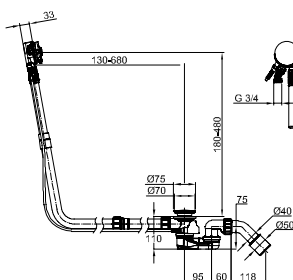
Information

Bowden cable length.: 40/50 x 725 mm
 Installation height: 110 mm
 Waste diameter: 52 mm
 Drainage capacity: 0.92 l/s
 Water seal depth: 50 mm
 Overflow capacity: 0.63 l/s
 Certification: Quality-controlled according to EN 274



PG	article no.	suitable for	Chrome 901
IN	B606-	BetteComodo	412 €
		BetteComodo with side overflow	
		BetteFree	
		BetteLoft	
		BetteLux	
		BetteLux Oval	
		BetteOcean	
		BetteOcean Low-Line	
		BetteOne	
		BetteOne Relax	
		BettePond	
		BetteSelect with side overflow	
		BetteStarlet	
		BetteStarlet Flair Oval	
		BetteStarlet Hexa	
		BetteStarlet I	
		BetteStarlet IV	
		BetteStarlet Oval	
		BetteStarlet Spirit	
		BetteStarlet V	

Bath filling, waste and overflow fitting unit Ø 52 mm, 1070 mm



Information

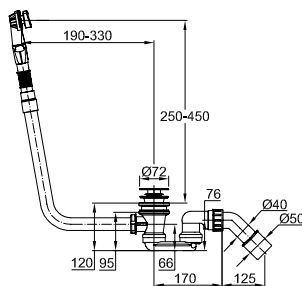
Bowden cable length.: 40/50 x 1070 mm
 Installation height: 110 mm
 Waste diameter: 52 mm
 Drainage capacity: 0.92 l/s
 Water seal depth: 50 mm
 Overflow capacity: 0.63 l/s
 Certification: Quality-controlled according to EN 274



PG	article no.	suitable for	Chrome 901
IN	B607-	BetteEve	457 €
		BetteEve Oval	
		BetteFree	
		BetteLoft	
		BetteLux	
		BetteSelect	
		BetteStarlet	
		BetteStarlet Flair Oval	
		BetteStarlet Oval	

Waste and overflow fittings for baths

Bath waste and overflow fitting BetteArt



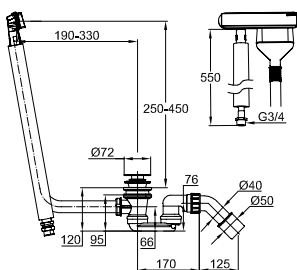
Information

Installation height: 110 mm
 Waste diameter: 52 mm
 Drainage capacity: 0.87 l/s
 Water seal depth: 50 mm
 Overflow capacity: 0.63 l/s
 Certification: Quality-controlled according to EN 274
 Waste with click valve (push-to-open/close function)
 Availability: The Bath waste and overflow fitting BetteArt will only be available until 31 December 2026.

PG	article no.	suitable for	Chrome 901	White 000
IN	B614-	BetteArt	629 €	697 €
		BetteArt I		
		BetteArt IV		
		BetteArt V		



Bath filling, waste and overflow fitting unit Trio BetteArt, 725 mm



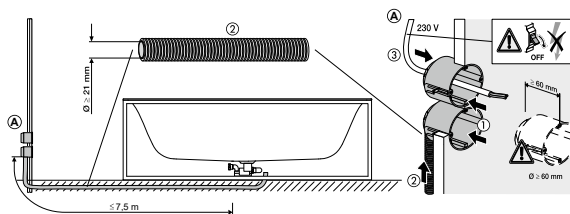
Information

Installation height: 110 mm
 Waste diameter: 52 mm
 Drainage capacity: 0.87 l/s
 Water seal depth: 50 mm
 Overflow capacity: 0.6 l/s
 Certification: Quality-controlled according to EN 274
 Waste with click valve (push-to-open/close function)
 Availability: The Bath filling, waste and overflow fitting unit Trio BetteArt will only be available until 31 December 2026.

PG	article no.	suitable for	Chrome 901	White 000
IN	B615-	BetteArt	954 €	1.123 €
		BetteArt I		
		BetteArt IV		
		BetteArt V		



BetteSensory



Information

Pop-up wastes with no visible overflow. The overflow function is provided by a pressure sensor integrated in the pop-up waste that records the water level in the bath.

Included in the delivery of the pop-up waste are a control box, a 12-volt mains unit and two 8-m control cables. The control box, which includes an emergency battery, and the mains unit need to be integrated using the 8-m cable in two accessible flush-mounted boxes outside the bath.

A 230-volt power connection is required there.

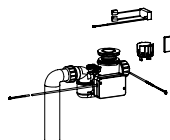
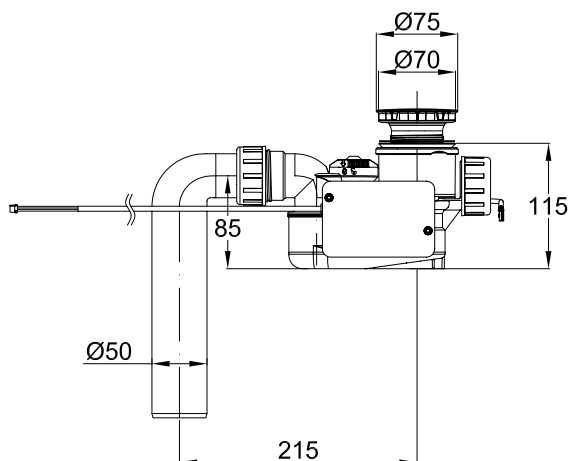
The control cable needs to be laid from the concealed socket to under the bath for connection to the fitting.

The baths need to be ordered with the ending oUeL.

Further information on installation and functioning can be found at www.my-bette.com.

Scope of delivery

- Control box
- 12-volt mains unit
- emergency battery
- two 8-m control cables

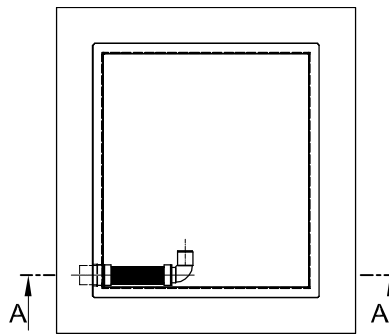


Technical information and prices of additional BetteExtras on page 256. Subject to alteration and production tolerance. Prices excluding VAT.

Variant

PG	article no.	description	Chrome 901	White 000
IN	B631-	BetteSensory	1.013 €	1.121 €

Installation Box BetteAir



Information

Depending on the floor construction, the BetteAir Connect installation box can easily be cut to a height between 109 and 200 mm.

Minimum box height with:

BetteAir 30 (order no. B524-) - 109 mm

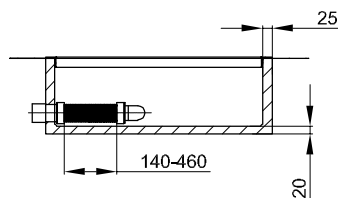
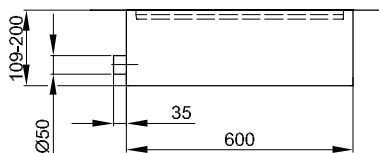
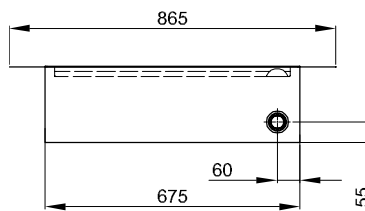
BetteAir 50 (order no. B525-) - 126 mm

Scope of delivery

- Box made of EPP
- Protective building cover made of corrugated cardboard E1.03
- Pre-assembled flexi connector
- Sealing collar
- Foil adhesive

Certification

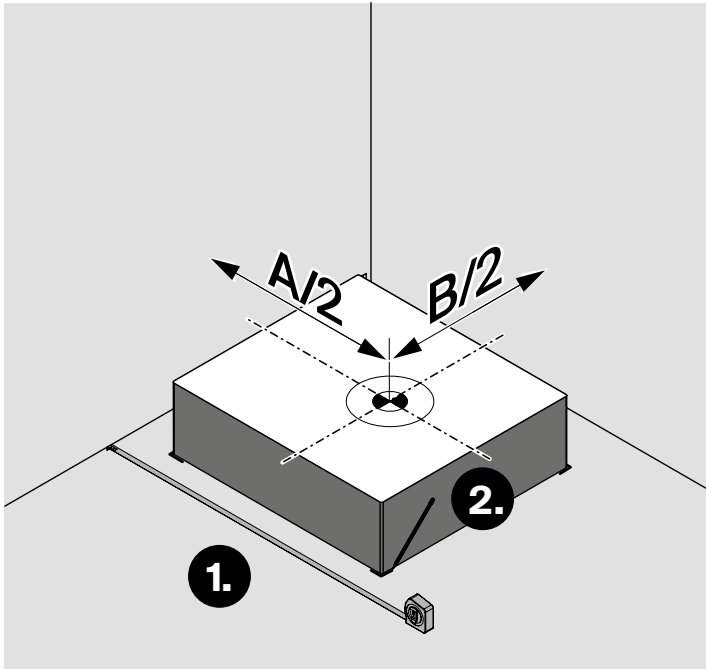
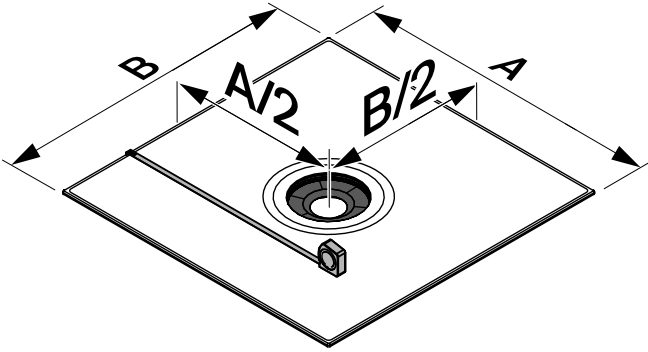
For standard sealing according to DIN 18534-1.



Variant

PG	article no.	description	pcs/pallet	price
IN	B57-0401	Installation Box BetteAir	15	265 €

Installation box BetteAir installation aid



Feet

Installation aid with individual height adjustment for easy and safe installation of baths.

In addition to the bath feet, we recommend our wall-brackets (article no. Z0008669) with integrated sound insulation, for fixing the bath-rim at the wall.

Bath feet universal



Information

Bath foot for parallel bath base geometries.

Adjustment range 40 mm when installed with a bath

Bath feet for direct installation onto the bath base providing optimum stability.

The feet are height adjustable, and when used in combination with the sound insulation set B57-0100, are sound insulating to DIN 4109/A1.

Scope of delivery

Set of two feet.



PG	article no.	description	pcs/pallet	price
IN	B23-1500	Bath feet universal	150	73 €

Bath feet oval



Information

Bath foot for oval bath base geometries

Adjustment range 40 mm when installed with a bath

Bath feet for direct installation onto the bath base providing optimum stability.

The feet are height adjustable, and when used in combination with the sound insulation set B57-0100, are sound insulating to DIN 4109/A1.

Scope of delivery

Four single feet for diagonal installation



PG	article no.	description	pcs/pallet	price
IN	B23-1525	Bath feet oval	150	85 €

Bath feet BetteStep



Information

Adjustment range 50 mm

Bath feet for direct installation onto the bath base providing optimum stability.

The feet are height adjustable, and when used in combination with the sound insulation set B57-0100, are sound insulating to DIN 4109/A1.

Scope of delivery

One set of bath feet, one galvanised steel frame with height adjusters.



PG	article no.	description	pcs/pallet	price
IN	B23-1520	Bath feet BetteStep	150	95 €

Feet

Installation aid with individual height adjustment for easy and safe installation of baths.

In addition to the bath feet, we recommend our wall-brackets (article no. Z0008669) with integrated sound insulation, for fixing the bath-rim at the wall.

Height-adjustable feet (4 pieces)



Information

Adjustment range 110-180 mm and 80mm plastic sleeve.

For fitting to factory-fitted feet brackets on large-scale baths.

An M12 threaded rod provides the optimum stability.

The feet are height adjustable, and when used in combination with the sound insulation set B57-0120, are sound insulating to DIN 4109/A1.

Suitable for: BetteSpace L

Scope of delivery

4 pieces



PG	article no.	description	pcs/pallet	price
IN	B50-0015	Height-adjustable feet (4 pieces)	400	48 €

Height-adjustable feet (6 pieces)



Information

Adjustment range 110 - 180 mm and 80mm plastic sleeve.

For fitting to factory-fitted feet brackets on large-scale baths.

An M12 threaded rod provides the optimum stability.

The feet are height adjustable, and when used in combination with the sound insulation set B57-0120, are sound insulating to DIN 4109/A1.

Suitable for: BettePond

Scope of delivery

6 pieces



PG	article no.	description	pcs/pallet	price
IN	B50-0016	Height-adjustable feet (6 pieces)	400	58 €

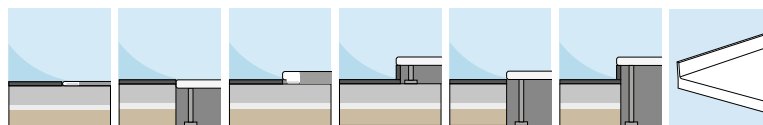
Planning help installation systems





Installation

Flush-to-floor
installation

Raised installation

for com-
bination
with Bette
Upstand



		Installation						Adjustment range	
		Flush-to-floor installation	Raised installation				for com- bination with Bette Upstand	Installation system	Adjustment range
 BetteAir	Installation system Universal		x		x	x	x	Installation system Universal Adjustment range: 67 - 205 mm with separate extension set: 206 - 300 mm	
	Minimum Support	x							
 BetteFloor	Installation system Universal		x		x	x	x	Foot-System, Foot-System BetteCaro, Foot-System BetteCorner Adjustment range: 80 - 200 mm With a separate spacer: 205 - 325 mm	
	Foot-System		x		x	x	x		
	BetteSimple Fix		x		x	x	x		
	BetteLevel		x		x	x	x		
	Minimum Support			x					
 BetteFloor Side	Installation system Universal		x		x	x	x	BetteSimple Fix Adjustment range: 60 - 170 mm	
	Foot-System		x		x	x	x		
	BetteSimple Fix		x		x	x	x		
	BetteLevel		x		x	x	x		
	Minimum Support			x			x		
 BetteUltra	Installation system Universal		x		x	x	x	Minimum support: -	
	Foot-System		x		x	x	x		
	BetteSimple Fix		x		x	x	x		
	BetteLevel		x		x	x	x		
	Minimum Support			x			x		
	Polystyrene support ***				x				

* Figures on the screen on installation. ** As per the structural test report. *** Only available for selected product dimensions.

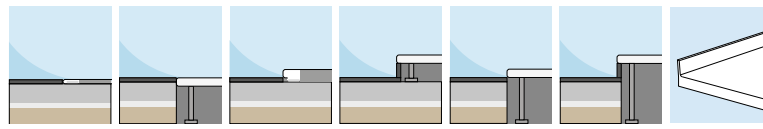
Planning help installation systems

Installation






Flush-to-floor
installation

Raised installation

for com-
bination
with Bette
Upstand


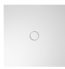




Adjustment range

Installation system	Installation						Adjustment range	
	Flush-to-floor installation	Raised installation						
 BetteUltra Space	Installation system Universal	x		x	x	x		Installation system Universal Adjustment range: 67 - 205 mm with separate extension set: 206 - 300 mm
	Foot-System	x		x	x	x		
	BetteSimple Fix	x		x	x	x		
	BetteLevel	x		x	x	x		
	Minimum Support			x				
 BetteSupra	Foot-System				x	x	x	Foot-System, Foot-System BetteCaro, Foot-System BetteCorner Adjustment range: 80 - 200 mm With a separate spacer: 205 - 325 mm
	BetteSimple Fix	x		x	x	x	x	
	BetteLevel	x		x	x	x	x	
	Polystyrene support ***			x				BetteSimple Fix Adjustment range: 60 - 170 mm
 BetteQuinta	Foot-System	x		x	x	x	x	
 BetteCaro	Foot-System BetteCaro			x	x	x	x	BetteLevel Adjustment range: 85 - 225 mm
	BetteSimple Fix	x		x	x	x	x	
	BetteLevel	x		x	x	x	x	
 BetteCorner	Foot-System BetteCorner			x	x	x	x	Minimum support -
	BetteSimple Fix	x		x	x	x	x	
	BetteLevel	x		x	x	x	x	






* Figures on the screed on installation. ** As per the structural test report. *** Only available for selected product dimensions.

Planning help installation systems

		Sound insulation		Seals					
		Sound insulation level 3 < 25 dB(A)		Tested waterproof seal included in the delivery	Optional: Seal cutting protection	Optional: Seal without cutting protection			
		As per VDI 4100	As per DIN 4109		Flush-to-Floor	BetteSeal+	Installation Box BetteAir B57-0401	Sealing system for wooden floors B57-0375	Other sealing systems
 BetteAir	Installation System Universal	18 dB(A)**	21 dB(A)**	x					
	Support minimum	18 dB(A)**	21 dB(A)**				x		
 BetteFloor	Installation System Universal	18 dB(A)**	20 dB(A)**	x					
	Foot-System				B57-0376		x	x	B57-0370
	BetteSimple Fix				B57-0376	B57-0377	x	x	B57-0370
	BetteLevel				B57-0376	B57-0377	x	x	B57-0370
	Minimum Support	15 dB(A)*	17 dB(A)*					x	B57-0371
 BetteFloor Side	Installation System Universal			x				x	
	Foot-System				B57-0376		x	x	B57-0370
	BetteSimple Fix				B57-0376	B57-0377	x	x	B57-0370
	BetteLevel				B57-0376	B57-0377	x	x	B57-0370
	Minimum Support							x	B57-0371
 BetteUltra	Installation System Universal	19 dB(A)**	22 dB(A)**	x				x	
	Foot-System				B57-0376		x	x	B57-0370
	BetteSimple Fix	24 dB(A)**	27 dB(A)**		B57-0376	B57-0377	x	x	B57-0370
	BetteLevel	25 dB(A)**	27 dB(A)**		B57-0376	B57-0377	x	x	B57-0370
	Minimum Support	16 dB(A)*	17 dB(A)*					x	B57-0371
	Polystyrene support ***								

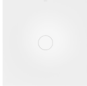














* Figures on the screed on installation. ** As per the structural test report. *** Only available for selected product dimensions.

Planning help installation systems

		Sound insulation		Seals					
		Sound insulation level 3 < 25 dB(A)		Tested waterproof seal included in the delivery	Optional: Seal cutting protection	Optional: Seal without cutting protection			
		As per VDI 4100	As per DIN 4109		Flush-to-Floor	BetteSeal+	Installation Box BetteAir B57-0401	Sealing system for wooden floors B57-0375	Other sealing systems
 BetteUltra Space	Installation System Universal	22 dB(A)**	25 dB(A)**	x				x	
	Foot-System				B57-0376			x	B57-0370
	BetteSimple Fix				B57-0376	B57-0377	x	x	B57-0370
	BetteLevel				B57-0376	B57-0377	x	x	B57-0370
	Minimum Support							x	B57-0371
 BetteSupra	Foot-System				B57-0376			x	B57-0370
	BetteSimple Fix				B57-0376	B57-0377		x	B57-0370
	BetteLevel				B57-0376	B57-0377		x	B57-0370
	Polystyrene support ***								
 BetteQuinta	Foot-System				B57-0376				B57-0370
	Foot-System BetteCaro				B57-0379				B57-0374
 BetteCaro	BetteSimple Fix				B57-0379				B57-0374
	BetteLevel				B57-0379				B57-0374
	Foot-System BetteCorner				B57-0378				B57-0373
 Bette-Corner	BetteSimple Fix				B57-0378				B57-0373
	BetteLevel				B57-0378				B57-0373

* Figures on the screed on installation. ** As per the structural test report. *** Only available for selected product dimensions.

Installation planning flush-to-floor showers

										
			BetteAir	BetteFloor Side	BetteFloor	BetteUltra Space < 1000 mm	BetteUltra Space ≥ 1000 mm	BetteUltra < 1000 mm	BetteUltra ≥ 1000 mm	BetteSupra
Waste fittings										
	BetteCompact+ B568- Drainage capacity 0.5 l/s, Water seal depth 50 mm, quality monitored to DIN EN 274	Installation height waste fitting in mm Total installation height in mm		55	55	55	55	55	55	55
	BetteSolid 50 B598- Drainage capacity 0.6 l/s, Water seal depth 50 mm, quality monitored to DIN EN 274	Installation height waste fitting in mm Total installation height in mm		68	68	68	68	68	68	68
	BetteSolid 30 B597- Drainage capacity 0.6 l/s, Water seal depth 30 mm	Installation height waste fitting in mm Total installation height in mm		48	48	48	48	48	48	48
	BetteDown B594- Drainage capacity 0.6 l/s, Water seal depth 50 mm, quality monitored to DIN EN 274	Installation height waste fitting in mm Total installation height in mm		81	81	81	81	81	81	81
	BetteAir 50 B525- Drainage capacity 0.6 l/s, Water seal depth 50 mm, Qualitycontrolled according to EN 274 in accordance with ABP P-4096 TRLP	Installation height waste fitting in mm Total installation height in mm	68							
	BetteAir 30 B524- Drainage capacity 0.6 l/s, Water seal depth 30 mm	Installation height waste fitting in mm Total installation height in mm	48							
	BetteAir Down B599- Drainage capacity 0.6 l/s, Water seal depth 50 mm, quality- controlled according to EN 274	Installation height waste fitting in mm Total installation height in mm	81							
			67							

BetteSimple Fix

- applicable for BetteCaro, BetteCorner, BetteFloor, BetteFloor Side, BetteSupra, BetteUltra and BetteUltra Space
- flexible positioning mounting feet
- distributes the load evenly around the edge
- can be mounted without any tools
- adjustable from 60-170 mm (with adapters up to 230 mm)



4 BetteSimple Fix installation feet for showers with both side lengths ≤ 900 mm



Scope of delivery

4 x BetteSimple Fix installation feet
32 x distance adapter 15 mm

PG	article no.	description	pcs/pallet	price
IN	B57-0433	4 BetteSimple Fix installation feet for showers with both side lengths ≤ 900 mm	336	89 €



6 BetteSimple Fix installation feet for showers with a side length > 900 mm



Scope of delivery

6 x BetteSimple Fix installation feet
48 x distance adapter 15 mm

PG	article no.	description	pcs/pallet	price
IN	B57-0434	6 BetteSimple Fix installation feet for showers with a side length > 900 mm	112	125 €



8 BetteSimple Fix installation feet for showers with both side lengths > 900 mm



Scope of delivery

8 x BetteSimple Fix installation feet
64 x distance adapter 15 mm

PG	article no.	description	pcs/pallet	price
IN	B57-0435	8 BetteSimple Fix installation feet for showers with both side lengths > 900 mm	112	161 €

BetteLevel installation feet

- applicable for BetteCaro, BetteCorner, BetteFloor, BetteFloor Side, BetteSupra, BetteUltra and BetteUltra Space
- distributes the load evenly around the edge
- allows perfect height adjustment during installation
- can be adapted and scaled for every installation situation
- saves time and therefore money
- adjustable from 85 - 225 mm beneath the tray



4 BetteLevel installation feet for showers with both side lengths ≤ 900 mm



Scope of delivery

- 4 x BetteLevel installation feet
- 4 x BetteLevel adapter plate
- 32 x BetteLevel distance adapter 15 mm

PG	article no.	description	pcs/pallet	price
IN	B57-0420	4 BetteLevel installation feet for showers with both side lengths ≤ 900 mm	224	174 €



6 BetteLevel installation feet for showers with a side length > 900 mm



Scope of delivery

- 6 x BetteLevel installation feet
- 6 x BetteLevel adapter plate
- 48 x BetteLevel distance adapter 15 mm
- 2 x release clamps for pre-tensioning
- 2 x thread extensions (incl. spacer rings)

PG	article no.	description	pcs/pallet	price
IN	B57-0421	6 BetteLevel installation feet for showers with a side length > 900 mm	112	236 €



8 BetteLevel installation feet for showers with both sides > 900 mm



Scope of delivery

- 8 x BetteLevel installation feet
- 8 x BetteLevel adapter plate
- 64 x BetteLevel distance adapter 15 mm
- 4 x release clamps for pre-tensioning
- 2 x thread extensions (incl. spacer rings)

PG	article no.	description	pcs/pallet	price
IN	B57-0422	8 BetteLevel installation feet for showers with both sides > 900 mm	112	296 €

BetteLevel Locks

- applicable for BetteCaro, BetteCorner, BetteFloor, BetteFloor Side, BetteSupra, BetteUltra and BetteUltra Space
- distributes the load evenly around the edge
- allows perfect height adjustment during installation
- can be adapted and scaled for every installation situation
- saves time and therefore money
- adjustable from 85 - 225 mm beneath the tray



Locks for 4 BetteLevel installation feet



Scope of delivery

4 × locks (incl. release clasp)

PG	article no.	description	pcs/pallet	price
IN	B57-0423	Locks for 4 BetteLevel installation feet	402	78 €



Locks for 6 BetteLevel installation feet



Scope of delivery

6 × locks (incl. release clasp)

PG	article no.	description	pcs/pallet	price
IN	B57-0424	Locks for 6 BetteLevel installation feet	402	107 €



Locks for 8 BetteLevel installation feet



Scope of delivery

8 × locks (incl. release clasp)

PG	article no.	description	pcs/pallet	price
IN	B57-0425	Locks for 8 BetteLevel installation feet	172	137 €

Support foot BetteLevel



Information

Height adjustable foot for additional support of BetteCaro, BetteCorner, BetteFloor, BetteFloor Side, BetteSupra, BetteUltra Space and BetteUltra. To be fitted during installation. Adjustable from 85 - 225 mm beneath the tray.

From a side length of 1000 mm we recommend the use of one support foot B57-0426.

From a side length of 1500 mm we recommend the use of two support feet B57-0426.

Scope of delivery:

- 1 x BetteLevel installation foot
- 1 x BetteLevel adapter plate
- 7 x BetteLevel distance adapter 15 mm
- 1 x release clamp for pre-tensioning
- 1 x thread extensions (incl. spacer rings)
- 1 x lock (incl. release clasp)

PG	article no.	description	price
IN	B57-0426	Support foot BetteLevel	78 €

Installation System Universal



Waterproof
ETAG 022
DIN 18534
ÖNORM B 3407



Only 20 dB(A)
Noise level
DIN 4109

*2 Structural conditions according to test certificate.

Information

- Adjustment range 67 - 205 mm
- Safe and easy installation, both flush-to-floor and raised with a tiled base
- Maximum flexibility: easy to adjust to the structural conditions
- Easy to align from above
- System is permanently accessible
- High sound insulation - only 20 dB(A)
- Sound insulation level 3
- as per DIN 4109
- as per VDI 4100 SST III
- Not available with BetteUpstand

For flush-to-floor installation with the installation system universal the installation frame is 5 mm larger than the outer dimensions of the shower.
For an adjustment range of 205 - 310 mm we recommend the extension set B57-0403.

Scope of delivery

- Support frame Profile
- Plug connector
- Sealing Fleece
- Sealing Corners
- Formwork Panels
- Tiling Tools
- Slide Profile
- Set of legs including spacer
- Foil adhesive
- Universal spanner
- Allen key

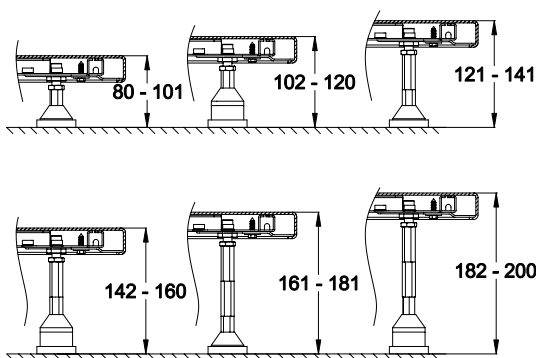
Certification

For standard wall sealing according to DIN 18534-1.

Variants

PG	article no.	description	price	PG	article no.	description	price
IN	B50-6020	Installation System Universal 700 x 700 mm	504 €	IN	B50-6054	Installation System Universal 1300 x 750 mm	555 €
IN	B50-6021	Installation System Universal 750 x 700 mm	504 €	IN	B50-6060	Installation System Universal 1300 x 800 mm	555 €
IN	B50-6031	Installation System Universal 750 x 750 mm	504 €	IN	B50-6038	Installation System Universal 1300 x 900 mm	555 €
IN	B50-6022	Installation System Universal 800 x 700 mm	504 €	IN	B50-6061	Installation System Universal 1300 x 1000 mm	555 €
IN	B50-6032	Installation System Universal 800 x 750 mm	504 €	IN	B50-6092	Installation System Universal 1300 x 1300 mm	605 €
IN	B50-6041	Installation System Universal 800 x 800 mm	504 €	IN	B50-6058	Installation System Universal 1400 x 700 mm	605 €
IN	B50-6023	Installation System Universal 850 x 700 mm	504 €	IN	B50-6059	Installation System Universal 1400 x 750 mm	605 €
IN	B50-6033	Installation System Universal 850 x 750 mm	504 €	IN	B50-6050	Installation System Universal 1400 x 800 mm	605 €
IN	B50-6070	Installation System Universal 850 x 850 mm	504 €	IN	B50-6062	Installation System Universal 1400 x 900 mm	605 €
IN	B50-6073	Installation System Universal 900 x 600 mm	504 €	IN	B50-6039	Installation System Universal 1400 x 1000 mm	605 €
IN	B50-6024	Installation System Universal 900 x 700 mm	504 €	IN	B50-6084	Installation System Universal 1400 x 1200 mm	605 €
IN	B50-6034	Installation System Universal 900 x 750 mm	504 €	IN	B50-6093	Installation System Universal 1400 x 1400 mm	624 €
IN	B50-6043	Installation System Universal 900 x 800 mm	504 €	IN	B50-6075	Installation System Universal 1500 x 700 mm	605 €
IN	B50-6071	Installation System Universal 900 x 850 mm	504 €	IN	B50-6076	Installation System Universal 1500 x 750 mm	605 €
IN	B50-6051	Installation System Universal 900 x 900 mm	504 €	IN	B50-6079	Installation System Universal 1500 x 800 mm	605 €
IN	B50-6026	Installation System Universal 1000 x 700 mm	504 €	IN	B50-6077	Installation System Universal 1500 x 900 mm	605 €
IN	B50-6036	Installation System Universal 1000 x 750 mm	504 €	IN	B50-6078	Installation System Universal 1500 x 1000 mm	605 €
IN	B50-6045	Installation System Universal 1000 x 800 mm	504 €	IN	B50-6085	Installation System Universal 1500 x 1200 mm	605 €
IN	B50-6053	Installation System Universal 1000 x 900 mm	504 €	IN	B50-6080	Installation System Universal 1500 x 1500 mm	624 €
IN	B50-6064	Installation System Universal 1000 x 1000 mm	504 €	IN	B50-6042	Installation System Universal 1600 x 700 mm	605 €
IN	B50-6037	Installation System Universal 1050 x 750 mm	504 €	IN	B50-6044	Installation System Universal 1600 x 750 mm	605 €
IN	B50-6025	Installation System Universal 1100 x 700 mm	504 €	IN	B50-6066	Installation System Universal 1600 x 800 mm	605 €
IN	B50-6027	Installation System Universal 1100 x 750 mm	504 €	IN	B50-6046	Installation System Universal 1600 x 900 mm	605 €
IN	B50-6047	Installation System Universal 1100 x 800 mm	504 €	IN	B50-6068	Installation System Universal 1600 x 1000 mm	605 €
IN	B50-6055	Installation System Universal 1100 x 900 mm	504 €	IN	B50-6083	Installation System Universal 1600 x 1200 mm	624 €
IN	B50-6028	Installation System Universal 1100 x 1000 mm	504 €	IN	B50-6081	Installation System Universal 1700 x 700 mm	605 €
IN	B50-6029	Installation System Universal 1100 x 1100 mm	504 €	IN	B50-6082	Installation System Universal 1700 x 750 mm	605 €
IN	B50-6030	Installation System Universal 1200 x 700 mm	555 €	IN	B50-6063	Installation System Universal 1700 x 800 mm	605 €
IN	B50-6040	Installation System Universal 1200 x 750 mm	555 €	IN	B50-6048	Installation System Universal 1700 x 900 mm	605 €
IN	B50-6049	Installation System Universal 1200 x 800 mm	555 €	IN	B50-6089	Installation System Universal 1700 x 1000 mm	605 €
IN	B50-6057	Installation System Universal 1200 x 900 mm	555 €	IN	B50-6069	Installation System Universal 1800 x 800 mm	605 €
IN	B50-6074	Installation System Universal 1200 x 1000 mm	555 €	IN	B50-6052	Installation System Universal 1800 x 900 mm	605 €
IN	B50-6035	Installation System Universal 1200 x 1100 mm	555 €	IN	B50-6091	Installation System Universal 1800 x 1000 mm	624 €
IN	B50-6065	Installation System Universal 1200 x 1200 mm	555 €	IN	B50-6096	Installation System Universal 1900 x 900 mm	624 €
IN	B50-6056	Installation System Universal 1300 x 700 mm	555 €	IN	B50-6097	Installation System Universal 2000 x 900 mm	624 €

Foot-System



Information

The BetteFoot-System guarantees quick, safe and cost-effective height compensations in the installation of shower trays. For this purpose a frame is clamped under the tray edge into which the height adjustable feet are screwed. In this way the load is distributed over the entire frame and not just at certain points. It is no longer necessary to underpin the shower tray.

Installation height 80 - 200 mm.

For installation height 205 - 325 mm spacers, art.-no. B50-0005, need to be ordered separately.

Can be combined with BetteUpstand.

Variants

PG	article no.	description	price
IN	B50-3020	Foot-System for Shower tray 700 x 700 mm	174 €
IN	B50-3021	Foot-System for Shower tray 750 x 700 mm	174 €
IN	B50-3031	Foot-System for Shower tray 750 x 750 mm	174 €
IN	B50-3022	Foot-System for Shower tray 800 x 700 mm	174 €
IN	B50-3032	Foot-System for Shower tray 800 x 750 mm	174 €
IN	B50-3041	Foot-System for Shower tray 800 x 800 mm	174 €
IN	B50-3023	Foot-System for Shower tray 850 x 700 mm	174 €
IN	B50-3033	Foot-System for Shower tray 850 x 750 mm	174 €
IN	B50-3070	Foot-System for Shower tray 850 x 850 mm	174 €
IN	B50-3073	Foot-System for Shower tray 900 x 600 mm	174 €
IN	B50-3024	Foot-System for Shower tray 900 x 700 mm	174 €
IN	B50-3034	Foot-System for Shower tray 900 x 750 mm	174 €
IN	B50-3043	Foot-System for Shower tray 900 x 800 mm	174 €
IN	B50-3071	Foot-System for Shower tray 900 x 850 mm	174 €
IN	B50-3051	Foot-System for Shower tray 900 x 900 mm	174 €
IN	B50-3026	Foot-System for Shower tray 1000 x 700 mm	174 €
IN	B50-3036	Foot-System for Shower tray 1000 x 750 mm	174 €
IN	B50-3045	Foot-System for Shower tray 1000 x 800 mm	174 €
IN	B50-3053	Foot-System for Shower tray 1000 x 900 mm	174 €
IN	B50-3064	Foot-System for Shower tray 1000 x 1000 mm	174 €
IN	B50-3037	Foot-System for Shower tray 1050 x 750 mm	174 €
IN	B50-3025	Foot-System for Shower tray 1100 x 700 mm	174 €
IN	B50-3027	Foot-System for Shower tray 1100 x 750 mm	174 €
IN	B50-3047	Foot-System for Shower tray 1100 x 800 mm	174 €
IN	B50-3055	Foot-System for Shower tray 1100 x 900 mm	174 €
IN	B50-3028	Foot-System for Shower tray 1100 x 1000 mm	174 €
IN	B50-3029	Foot-System for Shower tray 1100 x 1100 mm	174 €
IN	B50-3030	Foot-System for Shower tray 1200 x 700 mm	200 €
IN	B50-3040	Foot-System for Shower tray 1200 x 750 mm	200 €
IN	B50-3049	Foot-System for Shower tray 1200 x 800 mm	200 €
IN	B50-3057	Foot-System for Shower tray 1200 x 900 mm	200 €
IN	B50-3074	Foot-System for Shower tray 1200 x 1000 mm	200 €
IN	B50-3035	Foot-System for Shower tray 1200 x 1100 mm	200 €
IN	B50-3065	Foot-System for Shower tray 1200 x 1200 mm	200 €

PG	article no.	description	price
IN	B50-3056	Foot-System for Shower tray 1300 x 700 mm	200 €
IN	B50-3054	Foot-System for Shower tray 1300 x 750 mm	200 €
IN	B50-3060	Foot-System for Shower tray 1300 x 800 mm	200 €
IN	B50-3038	Foot-System for Shower tray 1300 x 900 mm	200 €
IN	B50-3061	Foot-System for Shower tray 1300 x 1000 mm	200 €
IN	B50-3092	Foot-System for Shower tray 1300 x 1300 mm	218 €
IN	B50-3058	Foot-System for Shower tray 1400 x 700 mm	218 €
IN	B50-3059	Foot-System for Shower tray 1400 x 750 mm	218 €
IN	B50-3050	Foot-System for Shower tray 1400 x 800 mm	218 €
IN	B50-3062	Foot-System for Shower tray 1400 x 900 mm	218 €
IN	B50-3039	Foot-System for Shower tray 1400 x 1000 mm	218 €
IN	B50-3093	Foot-System for Shower tray 1400 x 1400 mm	245 €
IN	B50-3075	Foot-System for Shower tray 1500 x 700 mm	218 €
IN	B50-3076	Foot-System for Shower tray 1500 x 750 mm	218 €
IN	B50-3079	Foot-System for Shower tray 1500 x 800 mm	218 €
IN	B50-3077	Foot-System for Shower tray 1500 x 900 mm	218 €
IN	B50-3078	Foot-System for Shower tray 1500 x 1000 mm	218 €
IN	B50-3080	Foot-System for Shower tray 1500 x 1500 mm	245 €
IN	B50-3042	Foot-System for Shower tray 1600 x 700 mm	245 €
IN	B50-3044	Foot-System for Shower tray 1600 x 750 mm	245 €
IN	B50-3066	Foot-System for Shower tray 1600 x 800 mm	245 €
IN	B50-3046	Foot-System for Shower tray 1600 x 900 mm	245 €
IN	B50-3068	Foot-System for Shower tray 1600 x 1000 mm	245 €
IN	B50-3081	Foot-System for Shower tray 1700 x 700 mm	245 €
IN	B50-3082	Foot-System for Shower tray 1700 x 750 mm	245 €
IN	B50-3063	Foot-System for Shower tray 1700 x 800 mm	245 €
IN	B50-3048	Foot-System for Shower tray 1700 x 900 mm	245 €
IN	B50-3089	Foot-System for Shower tray 1700 x 1000 mm	245 €
IN	B50-3069	Foot-System for Shower tray 1800 x 800 mm	245 €
IN	B50-3052	Foot-System for Shower tray 1800 x 900 mm	245 €
IN	B50-3091	Foot-System for Shower tray 1800 x 1000 mm	245 €
IN	B50-3096	Foot-System for Shower tray 1900 x 900 mm	245 €
IN	B50-3097	Foot-System for Shower tray 2000 x 900 mm	245 €

Foot-System for BetteFloor



Information

The BetteFoot-System guarantees quick, safe and cost-effective height compensations in the installation of shower trays. For this purpose a frame is clamped under the tray edge into which the height adjustable feet are screwed. In this way the load is distributed over the entire frame and not just at certain points. It is no longer necessary to underpin the shower tray.

Installation height 80 - 200 mm.

For installation height 205 - 325 mm spacers, art.-no. B50-0005, need to be ordered separately.

Variants

PG	article no.	description	price
IN	B50-3141	Foot-System BetteFloor 800 x 800 mm	272 €
IN	B50-3124	Foot-System BetteFloor 900 x 700 mm	272 €
IN	B50-3134	Foot-System BetteFloor 900 x 750 mm	272 €
IN	B50-3143	Foot-System BetteFloor 900 x 800 mm	272 €
IN	B50-3151	Foot-System BetteFloor 900 x 900 mm	272 €
IN	B50-3126	Foot-System BetteFloor 1000 x 700 mm	272 €
IN	B50-3136	Foot-System BetteFloor 1000 x 750 mm	272 €
IN	B50-3145	Foot-System BetteFloor 1000 x 800 mm	272 €
IN	B50-3153	Foot-System BetteFloor 1000 x 900 mm	272 €
IN	B50-3164	Foot-System BetteFloor 1000 x 1000 mm	272 €
IN	B50-3127	Foot-System BetteFloor 1100 x 750 mm	272 €
IN	B50-3147	Foot-System BetteFloor 1100 x 800 mm	272 €
IN	B50-3155	Foot-System BetteFloor 1100 x 900 mm	272 €
IN	B50-3128	Foot-System BetteFloor 1100 x 1000 mm	272 €
IN	B50-3130	Foot-System BetteFloor 1200 x 700 mm	299 €
IN	B50-3140	Foot-System BetteFloor 1200 x 750 mm	299 €
IN	B50-3149	Foot-System BetteFloor 1200 x 800 mm	299 €
IN	B50-3157	Foot-System BetteFloor 1200 x 900 mm	299 €
IN	B50-3174	Foot-System BetteFloor 1200 x 1000 mm	299 €
IN	B50-3165	Foot-System BetteFloor 1200 x 1200 mm	299 €
IN	B50-3154	Foot-System BetteFloor 1300 x 750 mm	299 €
IN	B50-3160	Foot-System BetteFloor 1300 x 800 mm	299 €
IN	B50-3138	Foot-System BetteFloor 1300 x 900 mm	299 €
IN	B50-3161	Foot-System BetteFloor 1300 x 1000 mm	299 €
IN	B50-3158	Foot-System BetteFloor 1400 x 700 mm	327 €

PG	article no.	description	price
IN	B50-3159	Foot-System BetteFloor 1400 x 750 mm	327 €
IN	B50-3150	Foot-System BetteFloor 1400 x 800 mm	327 €
IN	B50-3162	Foot-System BetteFloor 1400 x 900 mm	327 €
IN	B50-3139	Foot-System BetteFloor 1400 x 1000 mm	327 €
IN	B50-3184	Foot-System BetteFloor 1400 x 1200 mm	327 €
IN	B50-3175	Foot-System BetteFloor 1500 x 700 mm	327 €
IN	B50-3176	Foot-System BetteFloor 1500 x 750 mm	327 €
IN	B50-3179	Foot-System BetteFloor 1500 x 800 mm	327 €
IN	B50-3177	Foot-System BetteFloor 1500 x 900 mm	327 €
IN	B50-3178	Foot-System BetteFloor 1500 x 1000 mm	327 €
IN	B50-3185	Foot-System BetteFloor 1500 x 1200 mm	327 €
IN	B50-3142	Foot-System BetteFloor 1600 x 700 mm	327 €
IN	B50-3144	Foot-System BetteFloor 1600 x 750 mm	327 €
IN	B50-3166	Foot-System BetteFloor 1600 x 800 mm	327 €
IN	B50-3146	Foot-System BetteFloor 1600 x 900 mm	327 €
IN	B50-3168	Foot-System BetteFloor 1600 x 1000 mm	327 €
IN	B50-3183	Foot-System BetteFloor 1600 x 1200 mm	327 €
IN	B50-3182	Foot-System BetteFloor 1700 x 750 mm	327 €
IN	B50-3163	Foot-System BetteFloor 1700 x 800 mm	327 €
IN	B50-3148	Foot-System BetteFloor 1700 x 900 mm	327 €
IN	B50-3189	Foot-System BetteFloor 1700 x 1000 mm	327 €
IN	B50-3169	Foot-System BetteFloor 1800 x 800 mm	327 €
IN	B50-3152	Foot-System BetteFloor 1800 x 900 mm	327 €
IN	B50-3191	Foot-System BetteFloor 1800 x 1000 mm	327 €

Foot-System BetteCaro



Information

Adjustment range: 80-200 mm.

For installation height 205 - 325 mm spacers, art.-no. B50-0005, need to be ordered separately.

Can be combined with BetteUpstand.

Variants

PG	article no.	description	price
IN	B51-3041	Foot-System for BetteCaro Shower Tray 800 × 800 mm	205 €
IN	B51-3051	Foot-System for BetteCaro Shower Tray 900 × 900 mm	205 €
IN	B51-3064	Foot-System for BetteCaro Shower Tray 1000 × 1000 mm	205 €

Foot-System BetteCorner



Information

Adjustment range: 80-200 mm.

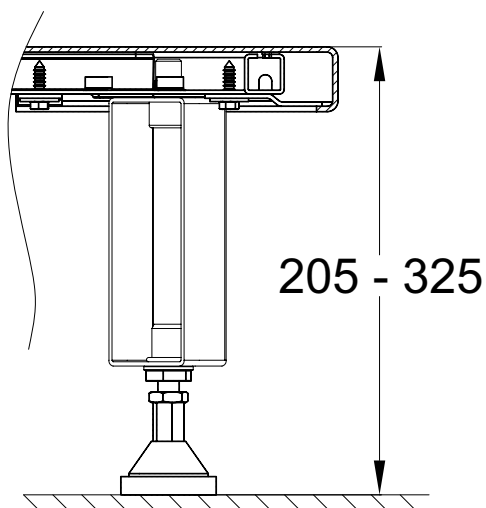
For installation height 205 - 325 mm spacers, art.-no. B50-0005, need to be ordered separately.

Can be combined with BetteUpstand.

Variants

PG	article no.	description	price
IN	B52-3034	Foot-System for BetteCorner Shower Tray 750 × 900/900 × 750 mm	197 €
IN	B52-3041	Foot-System for BetteCorner Shower Tray 800 × 800 mm	197 €
IN	B52-3043	Foot-System for BetteCorner Shower Tray 800 × 900/900 × 800 mm	197 €
IN	B52-3051	Foot-System for BetteCorner Shower Tray 900 × 900 mm	197 €
IN	B52-3053	Foot-System for BetteCorner Shower Tray 900 × 1000/1000 × 900 mm	197 €
IN	B52-3064	Foot-System for BetteCorner Shower Tray 1000 × 1000 mm	197 €

Spacer



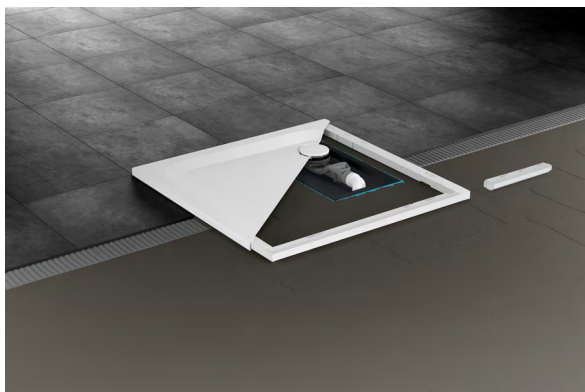
Information

For installation height 205 - 325 mm spacers, need to be ordered separately.
For shower trays up to a side length of 1100 mm we recommend 4 spacers, for a side length of 1200 mm or more we recommend 6 spacers, for a dimension of 1200 x 1200 mm or more we recommend 8 spacers.

Variants

PG	article no.	description	price
IN	B50-0005	Spacer for Shower tray (4 pcs.)	51 €
IN	B50-0006	Spacer for Shower tray (6 pcs.)	71 €
IN	B50-0007	Spacer for Shower tray (8 pcs.)	93 €

Minimum support Flex



Information

- adapts to individual requirements
- can be combined with BetteFloor, BetteFloor Side, BetteUltra and BetteUltra Space
- extremely light
- saves warehouse space
- ideal for construction and renovations
- suitable for screed or wooden floors
- minimum installation height from 35 mm
- can be combined with a sealing system
- at only 17 dB(A), it exceeds the higher requirements of sound insulation class 3, VDI 4100 (installation on screed including insulation)

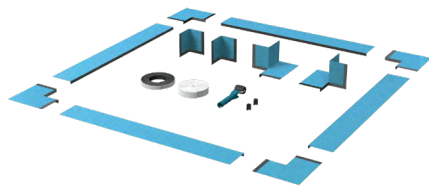
For a seal that complies with the standard, we recommend combination with the installation box Easy Connect (item no. B57-0400) or with the sealing system for minimum tray carriers (item no. B57-0371)

If used with the BetteUpstand, the Flex minimum support can only be used on shower trays with a side length of ≤ 1200 mm, and on the BetteFloor Side shower area, with a side length of < 1200 mm.

Variants

PG	article no.	description	price
IN	B57-0410	Minimum Support Flex for shower trays up to 25 mm & shower areas	56 €
IN	B57-0411	Minimum Support Flex for shower trays 35 mm	56 €

Sealing System



Waterproof
ETAG 022
DIN 18534
ÖNORM B 3407

Information

- waterproof installation
- wall seal for baths and showers
- also suitable for flush-to-floor installation of showers
- pre-assembled corner elements for fast, safe installation
- Sealing tapes are particularly flexible and adaptable

Scope of delivery

- Sealing Fleece
- Prefabricated corners
- Insulating tape
- Tile separator strip
- Pressure roller

Certification

For standard wall sealing according to DIN 18534-1.

Variants

PG	article no.	description	price
IN	B57-0370	Sealing System for rectangular shower trays	107 €
IN	B57-0371	Sealing System for Minimum Support	107 €
IN	B57-0372	Sealing System for baths	103 €
IN	B57-0373	Sealing System for Corner shower trays	118 €
IN	B57-0374	Sealing System for Caro shower trays	118 €
IN	B57-0375	Sealing System onto wooden floor	138 €

Sealing tape on roll



Waterproof
ETAG 022
DIN 18534
ÖNORM B 3407



Information

Our sealing tape adapts precisely to your specific sealing situation. Once installed, it permanently remains in condition thanks to its low shrinkage.

It is compatible with all our existing sealing elements.

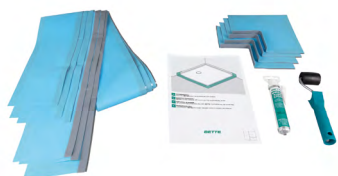
The sealing tape is absolutely resistant: even acids, alkalis and microorganisms cannot harm it.

Certification

It fulfils all existing certificates for standard-compliant sealing according to DIN 18534-1 tested according to ETAG 022.

PG	article no.	description	price
IN	B57-0408	Sealing tape on roll 4 m	23 €
IN	B57-0409	Sealing tape on roll 25 m	115 €

Sealing Set for BetteUpstands Installation Flush-to-Floor



Information

- Waterproof installation
- Suitable for the flush-to-floor installation of shower trays with BetteUpstand.
- Pre-fabricated corner elements for fast, safe installation
- Sealing tapes are particularly flexible and adaptable

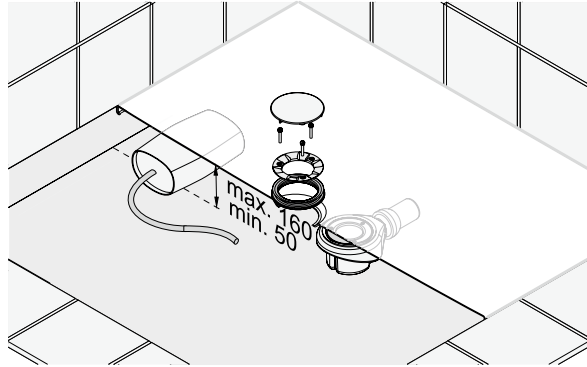
Scope of delivery:
3x sealing tape 1.80 m
4x sealing corners 90°

Certification

For standard sealing according to DIN 18534-1.

PG	article no.	description	price
IN	B57-0080	Sealing Set BetteUpstand installation flush-to-floor	104 €

Foam Central Support System



Information

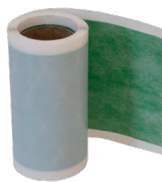
Additional central support for BetteFloor, BetteFloor Side, BetteUltra and BetteUltra Space.

Special advantage: can be used after installation via waste hole.

Scope of delivery:
1 pc.

PG	article no.	description	price
IN	B57-0230	Foam Central Support System	84 €

Tile adhesive protection tape



Information

Very stretchy, tearproof nonwoven/foil combination for defined separation between the bathroom product and the on-site substructure. Mineral adhesives achieve the optimum bond with the incorporated nonwoven.

PG	article no.	description	price
IN	B57-0407	Tile adhesive protection tape 3300 x 120 mm	32 €

Sound insulation set



Information

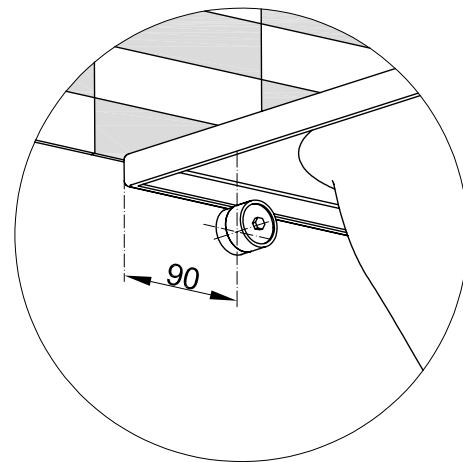
Installation acc. to DIN 4109/A1

Decouples sound to the wall, floor and brickwork.

The sound insulation set can be combined with our foot systems for shower trays and with the feet for baths.

PG	article no.	description	price
IN	B57-0100	Sound insulation set for baths	238 €
IN	B57-0120	Sound insulation set for shower trays	229 €

Wall Brackets



Information

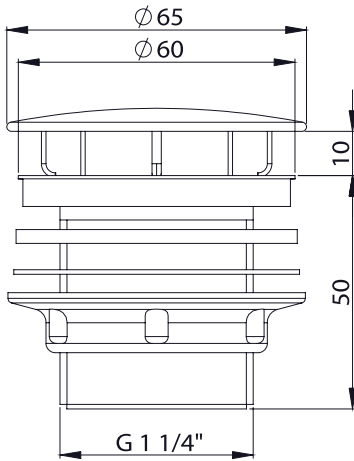
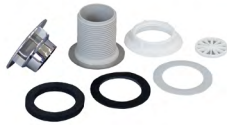
Bath anchors with integrated sound insulation for wall mounting baths and shower trays.

The set contains the three anchors recommended for installation.

Scope of delivery:
3 pieces

PG	article no.	description	price
IN	Z0008669	Wall Brackets	39 €

Unslotted Waste



Information

Our washbasins are optionally available with the unslotted waste 1¼".

Scope of delivery:
1 hair trap

PG	article no.	description	price
IN	B580-901	Unslotted waste 1¼", Chrome	72 €
IN	B580-000	Unslotted waste 1¼", enamelled, White	116 €
IN	B580-001	Unslotted waste 1¼", enamelled, Pergamon	116 €
IN	B580-002	Unslotted waste 1¼", enamelled, Manhattan	116 €
IN	B580-003	Unslotted waste 1¼", enamelled, Bahama beige	116 €
IN	B580-004	Unslotted waste 1¼", enamelled, Edelweiss	116 €
IN	B580-006	Unslotted waste 1¼", enamelled, Jasmin	116 €
IN	B580-008	Unslotted waste 1¼", enamelled, Flanell	116 €
IN	B580-016	Unslotted waste 1¼", enamelled, Moss green	116 €
IN	B580-035	Unslotted waste 1¼", enamelled, Ebony	116 €
IN	B580-040	Unslotted waste 1¼", enamelled, Curry	116 €
IN	B580-056	Unslotted waste 1¼", enamelled, Black	116 €
IN	B580-115	Unslotted waste 1¼", enamelled, Evergreen	116 €
IN	B580-124	Unslotted waste 1¼", enamelled, Violet	116 €
IN	B580-287	Unslotted waste 1¼", enamelled, Starwhite	116 €
IN	B580-307	Unslotted waste 1¼", enamelled, Salvia	116 €
IN	B580-400	Unslotted waste 1¼", enamelled, Raven	116 €
IN	B580-401	Unslotted waste 1¼", enamelled, Anthracite	116 €
IN	B580-402	Unslotted waste 1¼", enamelled, Slate	116 €
IN	B580-403	Unslotted waste 1¼", enamelled, Smoke	116 €

PG	article no.	description	price
IN	B580-404	Unslotted waste 1¼", enamelled, Graphite	116 €
IN	B580-410	Unslotted waste 1¼", enamelled, Silver	116 €
IN	B580-412	Unslotted waste 1¼", enamelled, Quartz	116 €
IN	B580-413	Unslotted waste 1¼", enamelled, Dust	116 €
IN	B580-414	Unslotted waste 1¼", enamelled, Flint	116 €
IN	B580-415	Unslotted waste 1¼", enamelled, Cashmere	116 €
IN	B580-416	Unslotted waste 1¼", enamelled, Stone	116 €
IN	B580-417	Unslotted waste 1¼", enamelled, Hazel	116 €
IN	B580-422	Unslotted waste 1¼", enamelled, Beige	116 €
IN	B580-423	Unslotted waste 1¼", enamelled, Flax	116 €
IN	B580-424	Unslotted waste 1¼", enamelled, Sand	116 €
IN	B580-425	Unslotted waste 1¼", enamelled, Greige	116 €
IN	B580-440	Unslotted waste 1¼", enamelled, Snow	116 €
IN	B580-441	Unslotted waste 1¼", enamelled, Cream	116 €
IN	B580-418	Unslotted waste 1¼", enamelled, Blue Satin	116 €
IN	B580-790	Unslotted waste 1¼", enamelled, Midnight	116 €
IN	B580-788	Unslotted waste 1¼", enamelled, Daylight	116 €
IN	B580-791	Unslotted waste 1¼", enamelled, Forest	116 €

Glazed outlet cover Ø 65 mm for unslotted waste



Information

In glazed titanium steel.

Available in White (000), Pergamon (001), Manhattan (002), Bahama Beige (003), Edelweiss (004), Jasmin (006), Flanell (008), Ebony (035), Curry (040), Black (056), Starwhite (287), Salvia (307), Raven (400), Anthracite (401), Slate (402), Smoke (403), Graphite (404), Silver (410), Quartz (412), Dust (413), Flint (414), Cashmere (415), Stone (416), Hazel (417), Blue Satin (418), Beige (422), Flax (423), Sand (424), Greige (425), Coffee (430), Snow (440), Cream (441) and Midnight (790).

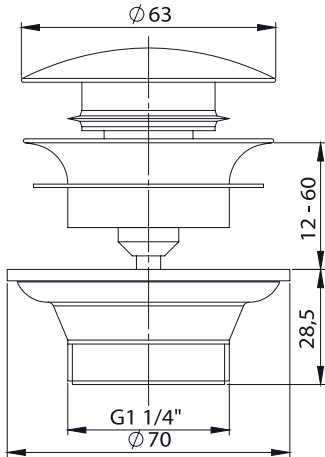
PG	article no.	description	price
CP	Y101	Glazed outlet cover Ø 65 mm for unslotted waste	60 €

Spare cover



PG	article no.	description	price
CP	Z0013794	Washbasin spare cover, Chrome	32 €

Pushwaste



Information

For Bette washbasins with overflow 1¼" push wastes are available.

PG	article no.	description	price
IN	B581-000	Pushwaste 1¼", White varnished	118 €
IN	B581-901	Pushwaste 1¼", Chrome	92 €

Overflow cover



Information

Compatible with Bette washbasins overflow sets. Suitable as a replacement for the Chrome overflow cover.

Scope of delivery:

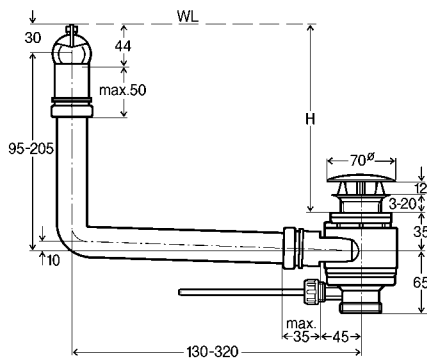
Overflow cover, White lacquered

Sealing set for overflow cover

Assembly tool for overflow cover

PG	article no.	description	price
CP	Z0019886	Overflow cover, White lacquered	25 €

Waste and overflow fitting BetteFlow



Information

Waste and overflow fitting for washbasins without overflow, operation via lever rod. Length and height can be adapted to suit the washbasin.

PG	article no.	description	price
IN	B616-901	Waste and overflow fitting BetteFlow, Chrome	92 €
IN	B616-000	Waste and overflow fitting BetteFlow, White	104 €

Grips

Grips B060

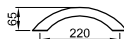


PG	article no.	suitable for	Chrome 901
IN	B060-	BetteStep	297 €



Scope of delivery:
2 pcs.

Grips B080



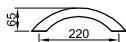
PG	article no.	suitable for	Chrome 901
IN	B080-	BetteClassic	227 €
		BetteComodo	
		BetteComodo with side overflow	
		BetteForm	
		BetteOne Relax	
		BetteSelect	
		LaBette	



Scope of delivery:
2 pcs.

Grips

Grip B090

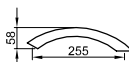


Scope of delivery:
1 pc.

PG	article no.	suitable for	Chrome 901
IN	B090-	BetteBambino	173 €
		BetteDuett	
		BetteDuo	
		BetteLoft	
		BetteOcean	
		BetteOcean Low-Line	
		BetteOne	
		BetteSelect Duo	
		BetteSelect with side overflow	
		BetteSpace L	
		BetteSpace M	
		BetteSpace S	
		BetteStarlet	
		BetteStarlet I	
		BetteStarlet I Silhouette	
		BetteStarlet IV	
		BetteStarlet IV Silhouette	
		BetteStarlet V	
		BetteStarlet V Silhouette	
		BetteStarlet Flair Oval	
		BetteStarlet Oval	
		BetteStarlet Oval Silhouette	
		BetteStarlet Spirit	
		BetteStarlet Hexa	



Grips B110



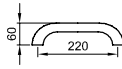
Scope of delivery:
2 pcs.

PG	article no.	suitable for	Chrome 901
IN	B110-	BetteSet	218 €



Grips

Grip B120

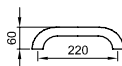


Scope of delivery:
1 pc.

PG	article no.	suitable for	Chrome 901
IN	B120-	BetteBambino	173 €
		BetteDuett	
		BetteDuo	
		BetteLoft	
		BetteOcean	
		BetteOcean Low-Line	
		BetteOne	
		BetteSelect Duo	
		BetteSelect with side overflow	
		BetteSpace L	
		BetteSpace M	
		BetteSpace S	
		BetteStarlet	
		BetteStarlet I	
		BetteStarlet I Silhouette	
		BetteStarlet IV	
		BetteStarlet IV Silhouette	
		BetteStarlet V	
		BetteStarlet V Silhouette	
		BetteStarlet Flair Oval	
		BetteStarlet Oval	
		BetteStarlet Oval Silhouette	
		BetteStarlet Spirit	
		BetteStarlet Hexa	



Grips B122



Scope of delivery:
2 pcs.

PG	article no.	suitable for	Chrome 901
IN	B122-	BetteClassic	227 €
		BetteComodo	
		BetteComodo with side overflow	
		BetteForm	
		BetteOne Relax	
		BetteSelect	
		LaBette	



Blind Plugs for Grip Holes



Scope of delivery:
1 pc.

PG	article no.	description	price
CP	B970-901	Blind Plugs Chrome for handle holes	17 €

Relax Bath cushion



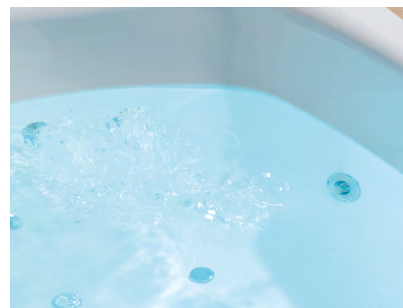
Information

The ergonomically designed bath cushion provides pleasant support for the head, neck, arms or feet. Thanks to the integrated magnets you can accurately position the bath cushion BetteRelax anywhere you want. Dimension: 340 x 120 x 40 mm.

Use of the BetteRelax bath cushion is not recommended for people with a heart pacemaker or implanted defibrillator.

PG	article no.	description	price
CP	B57-0213	BetteRelax, Black, 1 piece	147 €
CP	B57-0212	BetteRelax, Black, 2 pieces	245 €
CP	B57-0211	BetteRelax, White, 1 piece	147 €
CP	B57-0210	BetteRelax, White, 2 pieces	245 €

LED-Colour Spot Light



Information

- Set of two spotlights factory fitted on both long sides of the bath
- The LED-Colour Spot Lights are capable of displaying the complete RGB colour spectrum
- Operation via control pad inside the bath

PG	article no.	description	price
IN	B465-901	LED-Colour Spot Light, Chrome	1.215 €
IN	B465-000	LED-Colour Spot Light, White	1.319 €
IN	B465-035	LED-Colour Spot Light, Ebony	1.319 €
IN	B465-440	LED-Colour Spot Light, Snow	1.319 €
IN	B465-903	LED-Colour Spot Light, Gold finish	1.556 €

Care Cloth



Information

Gentle cleaning and care of the surfaces: BetteGlaze®, BetteGlaze® Plus, BetteAntislip, BetteAntislip Pro, BetteAntislip Sense

Use:

The BetteCareCloth is ideal for the daily care and cleaning of our bathroom elements in glazed titanium steel.

PG	article no.	description	price
CP	Z0016912	Care Cloth	8 €

Enamel Cleaner



Information

Gentle cleaning and care of the surfaces: BetteGlaze®, BetteAnti-slip, BetteAnti-slip Pro.

Use:

Apply enamel cleaner onto the moistened surface, and gently rub over with a soft cloth. Rinse with warm water and wipe dry. If using on matt colours and the BetteAntislip finish, wet the surface generously with plenty of water. Use a damp cloth to rub in the cleaner gently, and rinse off with hot water.

PG	article no.	description	price
CP	Z0015908	Enamel Cleaner Paste 100 ml	10 €

Enamel Spray Cleaner



Information

Spray cleaner with water-beading action for glazed titanium steel. For the gentle cleaning and care for BetteGlaze®, BetteGlaze® Plus, BetteAnti-Slip, BetteAnti-Slip Pro and BetteAnti-Slip Sense, finishes.

Use:

Spray on the enamel cleaner and leave to work for a few moments. Then rub well over the surface using a soft, wet cloth. Rinse with warm water and wipe dry.

PG	article no.	description	price
CP	B57-0245	Enamel Spray Cleaner	11 €

Bath Rubber



Information

Gentle cleaning and care of the surfaces: BetteGlaze®.

Use:

For stubborn deposits and dirt, simply wet the area with plenty of water and rub the enamel care pen over it repeatedly while still wet. Not suitable for matt Colours, BetteGlaze® Plus and BetteAnti-Slip Sense.

PG	article no.	description	price
CP	Z0007521	Bath rubber	8 €

Remalle



Information

Repair paint to touch up damaged enamel.

Remalle is available in 8ml tubes.

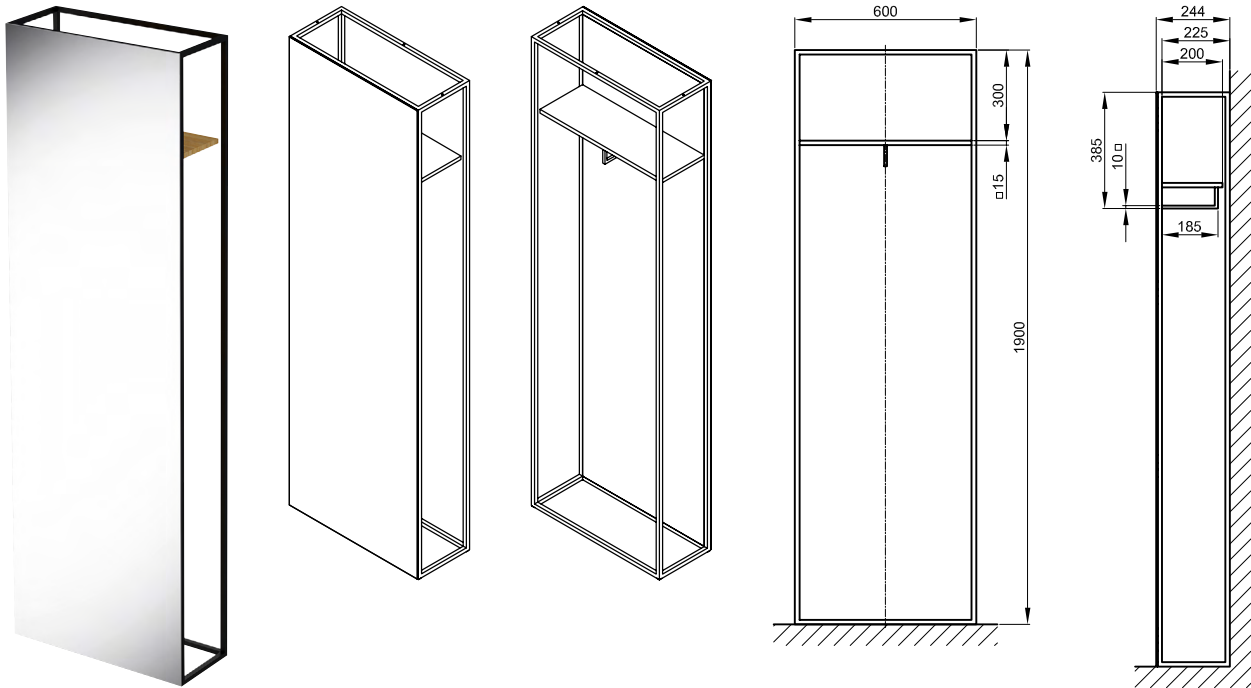
Available in White, selected Key colours and Bespoke colours. Please contact us.

PG	article no.	description	price
CP	B270-000	Remalle White 000	12 €

BetteLux Shape Accessoires

Information

Design: Tesseraux + Partner



Standing Mirror

- Wall mounting
- with high-quality real-wood veneer rear panel
- incl. shelf and hook

Scope of delivery

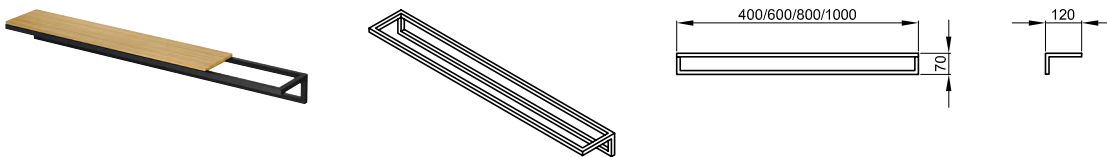
- incl. shelf, hook and fastening material



White matt 807
Black matt 815
→ cover

PG	article no.	dimensions in mm	description	
CP	Q050 FH814	600 × 244 × 1900	Standing Mirror with rear panel oak nature 814	1.367 €

Please note the ordering information on page 5, in particular the position of the colour number.



Towel Rail

The wooden inlay can be ordered separately.

Scope of delivery

- incl. fastening material



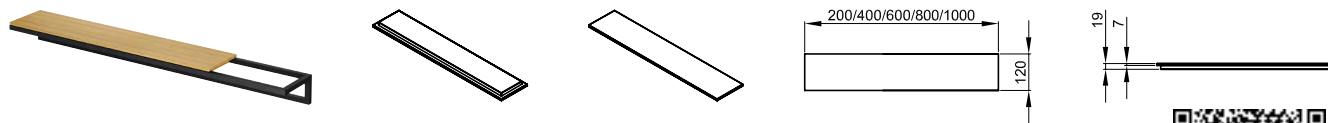
White matt 807
Black matt 815
→ cover

PG	article no.	dimensions in mm	description	
CP	Q030	400 × 120 × 70	Towel Rail 400 mm	261 €
CP	Q031	600 × 120 × 70	Towel Rail 600 mm	261 €
CP	Q032	800 × 120 × 70	Towel Rail 800 mm	271 €
CP	Q033	1000 × 120 × 70	Towel Rail 1000 mm	271 €

BetteLux Shape Accessoires

Information

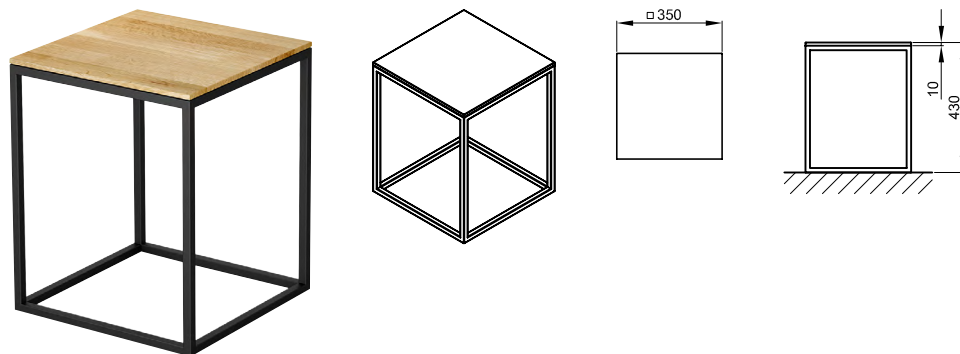
Design: Tesseraux + Partner



Wooden Inserts



PG	article no.	dimensions in mm	description	Oak nature 814 → cover
CP	Q040	200 x 120 x 19	Wooden Slat for Towel Rail, 200 mm	93 €
CP	Q041	400 x 120 x 19	Wooden Slat for Towel Rail, 400 mm	97 €
CP	Q042	600 x 120 x 19	Wooden Slat for Towel Rail, 600 mm	121 €
CP	Q043	800 x 120 x 19	Wooden Slat for Towel Rail, 800 mm	148 €
CP	Q044	1000 x 120 x 19	Wooden Slat for Towel Rail, 1000 mm	158 €



Stool

- Dimension: 350 x 350 x 430 mm
- incl. real-wood covering

PG	article no.	dimensions in mm	description	White matt 807 Black matt 815 → cover
CP	Q020 FH814	350 x 350 x 430	Stool with real-wood covering oak nature 814	475 €

Please note the ordering information on page 5, in particular the position of the colour number.

Bette Branches - Europe

Headquarter

Bette GmbH & Co. KG
Heinrich-Bette-Straße 1
33129 Delbrück
Germany
T +49 5250 511-0
international@bette.de

Bette GmbH & Co. KG UK Branch Office 2
Unit 3
The Courtyard
Church Street
Lockington
Derbyshire
DE74 2SL
United Kingdom
T +44 844 800 0547
info@bette.co.uk

Bette Agencies Europe

Croatia Slovenia

Local representative:
Leon Ladic s.p.
2000 Maribor
Slovenia
T +386 51 387 458
leon@llstil.si

Estonia Latvia Lithuania

Local representative:
MB „Akvozama“
Vytautas Zamalaitis
Vytauto gatve 46A
Trakai, 21112
Lithuania
T +370 686 49 852
v.zamalaitis@gmail.com

Hungary

Local representative:
Junitim Studio Kft.
Bujdosóné Mihavetz, Beatrix
1145 Budapest
T +36 302252565
F +36 12480553
info@junitim.hu
www.junitim.hu

Iceland

Local representative:
Byko HF
Skemmuvegi 2 A
200 KOPAVOGUR
Iceland
byko@byko.is
www.byko.is

Portugal

Local representative:
DIVITEK
Diego Laranjo
T: +351 919946938
dlaranjo@divitek.pt

Romania Bulgaria

Local representative:
Reallize Consult
Sönke Martin
0013132 Bukarest
T +40 722654654
martin@sm.ro

Turkey

Local representative:
CASABLANCA – KURT YAPI Insaat Tekstil
San. Ve Tic. LTD. STI.
Recep Peker Cad. No.9 Kurt Apt 81030 Kiziltoprak
Istanbul
T +90 216 418 15 13
F +90 216 418 13 96
casablanca@banyo.net
www.banyo.net

Bette Branches - Overseas

Bette (Shanghai) Co., Ltd.
bette-china@bette.de
www.my-bette.cn

Bette Bathroom Products Pte. Ltd.
25 International Business Park
German Centre, #03-79
609916 Singapore
T +65 94564482
caroline.fang@bette.sg

Bette Agencies - Overseas

Australia

Local representative:
Argent Australia Pty Ltd
18 Wandoo Street
Fortitude Valley, Qld 4006
T +61 1300 364 748
F +61 1300 656 057
ac@argentaust.com.au
www.argentaust.com.au

India

Local representative:
Zalur Lifestyle Private Limited
N020/804, HILLS AND DALES, PHASE 3
S.R.NO 13,15 JUNDRI
PUNE, MAHARASHTRA, 411028
T +91 9987 4842 80
rahul.kher@zalurlifestyle.com

Middle East

Local representative:
TAPS & MORE MARKETING CONSULTANTS
P.O.BOX 75833
Dubai
United Arab Emirates
T +971 4 3250010
F +971 4 3250490
tapman@emirates.net.ae
www.tapsmore.com

New Zealand

Local representative:
Plumblin
1 Antilles Place
Grenada Village
Wellington 6037
New Zealand
T+64 4 568 9898
sales@plumblin.co.nz
www.plumblin.co.nz

South Africa

Local representative:
DISTINCT Collection
56 Durban Street
2001 Johannesburg
T +27 11 3348100
info@distinctcollection.co.za
www.distinctcollection.co.za

Canada

Local representative:
STAX SPECIALTY HARDWARE STUDIO
144 Thompson Avenue
Etobicoke, Ontario, M8Z3V2
T +1 416 433 0928
hello@staxshs.com
www.staxshs.com

Vietnam

Local representative:
UUVIET SOLUTIONS TRADING CO., LTD
A25-A26 Kim Son
Nguyen Huu Tho Street
Tan Phong Ward, Dist. 7, HCMC
T +84 28 7778 6789

General Terms and Conditions

§ 1 Scope of application

These General Terms and Conditions (hereinafter also referred to as GTC) shall apply to all contracts of sale concluded between us (hereinafter also referred to as Seller) and you as our customer (hereinafter also referred to as Buyer or Last Seller) in accordance with § 1 number 2 of these GTC. The GTC apply exclusively to companies pursuant to § 14 BGB (German Civil Code) or merchants pursuant to § 1 ff HGB (German Commercial Code) as customers. These conditions, which can also be accessed at any time on the Internet at www.my-bette.com or made available on written request, apply to all present and future contracts and business relationships between Seller and Buyer. If the GTC have in accordance with §§ 305 ff BGB been effectively included by us, as the user of these GTC, as part of the first-time conclusion of a contract, they shall also apply to any further contracts within the current business relationship.

Purchase contracts are all contracts that have as their object the sale of movable goods where the focus is on the transfer and procurement of ownership in accordance with §§ 433 paragraph 1, 929 BGB. This also includes deliveries, manufacture and planning by Seller if and to the extent that Buyer installs the goods or has them installed by third parties, even if initial operation is based on final settings and/or adjustment and final acceptance by Seller. Seller's recommendations communicated in this context are exclusively product-related and limited to product properties. Recommendations and statements by Seller that relate to specific construction projects and/or enquiries of Buyer and are to be regarded as a preliminary stage to the delivery of plant components or products to be manufactured as the focus of the contract shall not qualify the services as a contract for work and services. Rather the focus of the contract shall in such cases be on the delivery of movable goods and shall qualify the contract as a contract for work and materials. The fact that system parts or products are intended to be assembled into a system and then permanently installed on land or as an integral part of a building shall not prevent them from being classified as movable property within the meaning of § 650 BGB. The decisive factor is whether the goods are movable at the time of delivery.

All agreements made between Seller and Buyer in connection with the purchase contract shall be based on these GTC, Seller's written order confirmations and Seller's declaration of acceptance.

The version of the GTC valid at the time of conclusion of the contract shall apply.

Deviating, conflicting or supplementary terms and conditions of Buyer or other agreements between the parties shall not form part of the contract unless their validity has been expressly agreed in writing or confirmed in the order confirmation. Silence in respect of a contractual declaration by Buyer stating deviating terms and conditions and/or new conditions and regulations shall not constitute commercial or other confirmation.

Sales representatives, whether salaried or freelance, and service/application technicians of Seller are not authorised to agree to deviating terms and conditions within the meaning of § 1 paragraph 4 of these GTC or to issue or accept declarations of intent as part of legal transactions.

§ 2 Contract formation, acceptance

The presentation and advertising of articles from the programme, website, advertising, brochures and other printed products in digital and offline media of the Seller shall not constitute a binding offer to conclude a sales contract.

A contract is only concluded when Seller accepts an order enquiry by means of a declaration of acceptance or order confirmation or by delivering the ordered items. In the latter case, the order confirmation will be replaced by Seller's invoice.

The properties of samples, models and templates provided by Seller shall become part of the contract only where contractually agreed between Seller and Buyer (sample as subject of a product specification). In this case, if samples are expressly made the subject of a product specification, deviations from the sample due to production or manufacturing conditions or product development processes are expressly reserved.

In the case of call-off orders, Seller is entitled to procure the material or the goods for the entire order and to manufacture and/or purchase the entire order quantity immediately and Buyer shall accept the object of purchase at first offer. Any changes requested by Purchaser can therefore no longer be taken into account after conclusion of contract, unless expressly agreed otherwise between Purchaser and Seller in writing or such changes can be reasonably accommodated by Seller. Price and delivery date adjustments are in such cases expressly reserved.

The concluded contract is binding and cannot be changed unilaterally by Buyer.

Buyer shall accept the goods in accordance with § 433 paragraph 2 BGB within the framework of the agreement reached and, in accordance with § 280, 286 BGB, shall reimburse any loss caused by delay, in particular additional storage and delivery costs. In the absence of timely acceptance after the agreed delivery dates or delivery periods, Buyer shall owe a contractual penalty of 0.3 % of the net delivery Price per working day of

delay, but not exceeding 5 % of the net delivery Price, unless Buyer is not responsible for the delay. Any other claims for damages shall be offset against this contractual penalty. This shall not affect any further reimbursable loss or expenses.

- Delivery dates and delivery periods shall be binding only if agreed in writing or in text form. Delivery dates that are clearly marked as non-binding, in particular by information or additions from Seller such as „approx.“, etc., shall be non-binding. Delivery periods shall commence upon receipt by Buyer of confirmation of order. In the event of valid changes to order, the delivery period shall recommence upon receipt by Buyer of the amended order confirmation only if and to the extent that Seller expressly confirms the delivery periods in the amended order confirmation. In the event that Seller is culpably unable to comply with an expressly agreed contractual period or is in default for other reasons, Buyer shall grant a reasonable grace period, commencing on the date of receipt by Seller of written notice of default or, in the event that the period is specified by the calendar, on that date. After fruitless expiry of this period, Buyer shall be entitled to assert statutory claims. If delivery is delayed due to circumstances for which Seller is not responsible, e.g. strike (including at Seller's supplier) or force majeure, Buyer shall be informed immediately if possible and Seller shall not be obliged to pay damages or reimbursement of expenses at least in this case. Force majeure within the meaning of these contractual conditions shall also apply if circumstances have occurred at suppliers (and their suppliers) of Seller or at Seller itself that are not to be expected in the normal course of business. This includes, for example, the destruction and cessation of the means of production/manufacturing facilities due to e.g. fire, flood, extraordinary storm events (extraordinary in this context is if no comparable storm has occurred in the region concerned in the past five years) or a supply bottleneck for a necessary raw material due to a market-wide shortage of raw materials or if there are officially ordered plant shutdowns that are not attributable to culpable conduct on the part of Seller. If delays are considerable and if waiting is unreasonable for Buyer, Buyer is entitled to withdraw from the contract in writing after setting an ultimate written deadline, unless delivery is impossible or is a fixed transaction, i.e. Buyer's interest in the goods stands and falls with the delivery date. In the event that Seller obtains the goods from a third party or a manufacturer within the framework of a commercial transaction or a buyer who is an entrepreneur or a business person, the contract shall be subject to termination due to the lack of delivery by the contractual partner and Buyer shall not be entitled to compensation for damages or expenses. Should delivery be delayed for the aforementioned reasons – without performance being or becoming impossible – only to an extent reasonable for Buyer (generally 21 days beyond the agreed delivery date), Buyer shall not be entitled to the aforementioned rights, unless with respect to an absolute transaction for delivery by a fixed date. If the new delivery date or the delay is no longer reasonable for Buyer, Buyer may withdraw from the contract in writing after expiry of a reasonable grace period.
- If the goods are dispatched by Seller via a logistics company commissioned by Seller, risk shall transfer to Buyer on transfer to a competent and hitherto reliable transport agent. In the event of damage to or destruction of goods after delivery to the carrier for reasons for which Seller is not responsible, Seller shall not be obliged to re-supply the goods and Buyer shall pay the purchase Price. In this respect, Seller shall assign to Buyer its claims for damages against the logistics company but shall not to assert any claim against the logistics company on behalf of Buyer subsequent to authorisation. During delay of Buyer in accepting goods, Seller shall be liable only for intent and gross negligence. If a product/item of a specific type is owed, risk shall pass to Buyer at the point at which Buyer is in default for non-acceptance of the product/item offered, § 300 BGB (German Civil Code).
- The goods intended for installation must be installed by Buyer or by a specialist company commissioned by it (specialist engineer for sanitary equipment) independently of this contract. If Buyer is the final seller and its customer (end customer) is obliged to install the goods or products of Seller in fulfilment of a contract concluded with a third party, Buyer or the final seller shall impose on its customer (end customer) the provisions of section 9 of these GTC as below. If the goods are not installed professionally or in accordance with the installation conditions and installation descriptions, or if modifications are made to the goods supplied or to the installation materials by Buyer, a third party commissioned by Buyer or the end customer, warranty claims against Seller and claims under §§ 439 Para. 3, 445 a Para. 1 BGB shall be excluded, as in such cases the item is no longer the same as the purchased item. Buyers and end customers must inspect the goods or products immediately in accordance with § 377 HGB (see also below). Buyer understands this and shall inform its customers (end customers) that, in the course of the manufacturing process of Seller's high-quality products, it cannot be guaranteed that the areas behind the flanged edge (rear side of the surrounding vertical edge section of the bathtubs, shower trays, shower areas and washstands) that are not exposed to direct water contact during professional installation and assembly will have a complete glazing of the titanium steel. In order to ensure that no moisture/water can get behind the flanging edge, which due to manufacturing conditions does not have a complete glaze, it is the responsibility of Buyer or the end customer to fully comply with the installation instructions and product descriptions and to make no changes to the sealing interfaces. This is the only way to prevent any subsequent corrosion damage. In this respect, a production-related and unavoidable glaze of the titanium steel in the area behind the flanging edge that does not cover the entire surface or the entire circumference shall not be deemed a defect in the delivered goods/product

§ 3 Further terms of delivery and reservation of prepayment

1. The Seller shall be entitled to make partial deliveries, insofar as is reasonable for Buyer and nothing else has been confirmed in the order confirmation as agreed.
2. In the case of orders from Buyers with their place of residence and business abroad or if there are well-founded indications of a possible risk of non-payment by Buyer, Seller expressly reserves the right to deliver only after receipt of the purchase Price plus shipping costs (prepayment reservation). If Seller exercises its right to prepayment, Buyer will be informed immediately. In this case, the delivery period shall commence only on payment of the purchase Price and shipping costs.

§ 4 Prices and despatch costs

1. The prices quoted by Seller are in euros ex works and do not include transport or packaging costs or VAT or, in the event of export deliveries, customs duties or fees or other public charges.
2. If under § 4 paragraph 1 of these GTC Seller fulfils orders of Buyer by means of partial deliveries, Buyer shall incur shipping costs only for the first partial delivery. If partial deliveries are made at Buyer's request, Seller shall charge the shipping costs for each partial delivery.

§ 5 Terms of payment, acknowledgement, set-off and right of retention

1. The purchase Price does not include statutory sales tax.
2. Invoices of Seller shall be payable in accordance with the terms and conditions agreed separately with Buyer or in the absence of such terms and conditions immediately. The date of payment shall be the date on which the money is received by Seller or credited to Seller's account. Buyer shall be in default of payment ten days after delivery even without a reminder from Seller. Seller is entitled to payment concurrently with delivery of goods. If a cash discount has been agreed it shall be based on the net amount and permissible only if all other obligations over 30 days old arising from Buyer's commercial relationship with Seller have been met in full.
3. Payments that are not sufficient to settle all liabilities arising from the continuing business relationship or in respect of an individual order shall initially be set off against the older liability. Seller shall inform Buyer of the set-off. If costs and interest have already been incurred, the payment shall first be set off against the costs, then against the interest and finally against the principal performance.
4. In the event of default by Buyer, Seller shall be entitled to retain deliveries or services under the ongoing business relationship with the Buyer until payment is made in full. Buyer may forestall this right of retention by providing a directly enforceable and unlimited guarantee from a German bank or cooperative bank or from a municipal credit institution (affiliated to a bonded security fund) covering all claims due to Buyer. If payments are deferred and made later than originally agreed, Buyer shall owe default interest for the deferment period in accordance with the provisions below.
5. The invoice sent to Buyer shall be deemed accepted if Buyer does not object to it within 30 calendar days of receipt of the invoice and if this legal consequence has been pointed out separately and prominently in the invoice.
6. Buyer shall for the period of the delay pay interest on the monetary debt at a rate of nine percentage points above the respective base interest rate plus a processing fee of €25.00, §§ 247, 288 BGB.
7. Buyer shall have the right of offset only where its counterclaims are legally established or are due and uncontested.

§ 6 Reservation of title

1. The delivered goods (reserved goods) shall remain the property of Seller until all claims to which Seller is entitled from Buyer, including future claims, have been met, including all balance claims from Buyer's account. Insofar as Buyer is in breach of contract – in particular insofar as Buyer is in default of remuneration – Seller shall be entitled to take back the reserved goods after setting a reasonable deadline for payment. Transport costs incurred for the return shall be borne by Buyer. Seller's revocation of reserved goods shall constitute withdrawal from contract. Withdrawal from contract shall likewise be constituted by Seller's seizure of reserved goods. Reserved goods taken back by Seller may be used again by Seller. The proceeds of the realisation shall be set off against payments owed by Buyer to Seller and after Seller has deducted an appropriate amount for administration costs.
2. Buyer shall treat reserved goods with care and store them in a suitable manner. Buyer shall at its own expense insure them against fire, water and theft at replacement value. If maintenance and inspection work becomes necessary, Buyer must carry this out in good time at its own expense.

Buyer may use the reserved goods and resell them in the ordinary course

3. of business as long as Buyer is not in default of payment. Buyer shall not however pledge the reserved goods or assign them by way of security. Buyer's claims for payment against its customers from a resale of the reserved goods as well as Buyer's claims against its customers or third parties in respect of the reserved goods and arising from any other legal reason (in particular claims from tortious acts and claims to insurance benefits), including all balance claims from its current account, are hereby assigned by Buyer to Seller in full by way of security. Seller accepts this assignment. Buyer may on its own account and in its own name and on Seller's behalf collect these claims assigned to Seller as long Seller does not revoke this authorisation. Seller's right to collect these claims itself shall remain unaffected, although Seller shall not assert the claims itself, and shall not revoke authorisation to collect, as long as Buyer meets its payment obligations properly and completely.

If however Buyer is in breach of contract – in particular if it is in default of payment – Seller may require Buyer to notify Seller of the assigned claims and the respective debtors, to notify the respective debtors of the assignment and to provide Seller with all documents and information required by Seller to assert the claim. In this respect, the parties agree that an independent right of Seller to information and inspection hereby arises.

4. Any processing or transformation of the reserved goods by Buyer shall be carried out on behalf of Seller. If the reserved goods are processed with other items not belonging to Seller, Seller shall acquire co-ownership of the new item in the same ratio as the ratio of the value of the reserved goods (final invoice amount including VAT) to the other processed items at the time of processing. In all other respects, the provisions applicable to the reserved goods shall likewise apply to the new object resulting from the processing. If the reserved goods are combined inseparably or mixed with other items not belonging to Seller, Seller shall acquire co-ownership of the new item in proportion to the value of the reserved goods (final invoice amount including VAT). If the reserved goods are combined or mixed in such a way that Buyer's item is to be regarded as the main item, Buyer and Seller shall agree that Buyer transfers co-ownership of the item to Seller on a pro rata basis. Seller accepts this transfer. Buyer shall properly keep and insure for Seller the sole ownership or co-ownership of any object thus created.
5. In the event of seizure of the reserved goods by third parties or other interventions by third parties, Buyer must refer to Seller's ownership and notify Seller immediately in writing so that Seller can assert its ownership rights. If the third party is unable to reimburse Seller for any court or out-of-court costs incurred in this connection, Buyer shall be liable for them.
6. At Buyer's request, Seller shall release the securities to it is entitled insofar as their realisable value exceeds the value of outstanding claims against Buyer by more than 10%. Seller may however select the securities to be released.

§ 7 Guarantee

1. a) Seller shall be liable for material defects and defects of title of delivered goods in accordance with statutory provisions, in particular §§ 434 ff, 280 ff BGB, although, or in the event of a commercial transaction, Buyer shall comply with § 377 HGB in accordance with the following provisions. The limitation period for statutory warranty claims is one year and begins with the delivery or handover of the goods to Buyer, unless Seller has fraudulently concealed a defect or assumed a guarantee for the quality of the goods or individual properties of the goods or the goods have within a year of delivery or transfer and in the sense intended by § 438 paragraph 1 No. 2 b) BGB been properly installed in accordance with Seller's specifications in an immovable structure firmly fixed to the ground, in which case the statutory limitation period applies.
b) Recognisable defects, including to usable partial delivery, must be reported to Seller in writing by Buyer within six days of performance. Any complaint not made in due time or form excludes any claim of Buyer arising from breach of duty due to poor performance.
c) Buyer must notify the transport company of any defects that are recognisable upon delivery and the transport company must arrange for the defects to be recorded. Complaints must contain a detailed Description of the defect to the best of Buyer's ability. A complaint not made in due time or form excludes any claim of Buyer arising from breach of duty due to poor performance. Insofar as defects in quantity, weight or volume are recognisable on delivery in accordance with the aforementioned inspection obligations, Buyer shall notify the carrier of these defects on receipt of the goods and have the complaint documented. Failure to give notice of defects in due time shall also exclude any claim by Buyer for breach of duty due to defective performance. Concealed defects must be communicated in writing immediately after they have become apparent and at the latest in accordance with the limitation period applicable in these GTC. Complaints must also contain a detailed Description of the defect. Any complaint not made in due time or form excludes any claim by Buyer for breach of duty due to defective performance.

d) Upon commencement of processing, treatment, combination or mixing with other items or resale to end customers, the delivered goods shall be deemed to have been approved by Buyer in accordance with the contract.

e) Other breaches of duty must prior to assertion of further rights by Buyer be reported by Buyer in writing and a reasonable period allowed for subsequent performance. Seller shall be granted three opportunities to remedy any defect. Seller assumes no liability for the usability of delivered goods or products within the overall system of Buyer or the end customer, unless such usability has been expressly assured in writing by Seller. Buyer must take this into account and as the final seller notify the end customer accordingly. In the course of work or construction owed by the final seller and/or end customer, the final seller and/or end customer must independently check with third parties whether the delivered goods and products that as far as necessary and legally prescribed have building authority approvals can achieve the results expected of them and whether national regulations (e.g. on construction, hygiene, sound, heat and environmental and current protection (e.g. equipotential bonding)) are complied with.

f) If, in the course of rectification or any replacement delivery by Seller, it should transpire that it is not the performance of Seller or a product supplied by Seller that is responsible for the defect but rather another product or the equipment of the end customer or incorrect usage or handling or incorrect installation (e.g. by the end customer), Buyer shall on request reimburse the expenses provably incurred by Seller (e.g. travel expenses, customer service, hours, etc.). Liability for guarantee and damages is excluded if modifications have been made to Seller's goods either by Buyer or the end buyer or end customer or if the goods have been installed contrary to instructions. The same shall apply if material defects in the goods of Seller have arisen due to the fact that the delivered goods have been maintained or cleaned and used contrary to care instructions. The guarantee shall be void if Buyer or end buyer or end customer does not ensure through the professional installation and further use of the delivered goods that no moisture or water reaches incompletely glazed surfaces (flared edge) so that potential corrosion is avoided. Seller shall not be liable for dismantling or installation costs or for costs for interruption and re-commissioning of systems in which a product or product has been installed by Seller, unless Seller is responsible for the resulting defect, especially in the event of recall by the manufacturer or any other known defectiveness of the delivered goods.

g) Should subsequent performance fail, whereby a subsequent improvement is to be regarded as failed only on the third unsuccessful attempt, or if Seller has rejected subsequent performance in writing expressly and finally, Buyer may assert its statutory claims. In the event of only a minor breach of contract, in particular only minor defects, Buyer shall not be entitled to withdraw from the contract. This is in particular the case if the functionality of the delivered goods is not significantly restricted and the assertion of the right to rescind the contract would therefore be disproportionate.

h) Defects – with the exception of recourse against supplier as per §§ 445a, 475 BGB – shall be remedied free of charge by means of rectification or replacement delivery, the choice to be at Seller's discretion. Defects caused by Buyer or the end buyer or end customer and unjustified complaints shall be remedied on behalf of and at the expense of Buyer.

i) Buyer shall provide all information necessary for the examination and handling of guarantee claims. Buyer shall provide Seller with the information required, including at least the Bette order confirmation number, article number and reason for complaint and where possible pictures of the damage. A form for complaints is available for download at www.bette.de. If installation has taken place at the end buyer or end customer, a copy of the installation protocols etc. must be made available.

j) Claims by Buyer, the end buyer or end customer for expenses incurred for the purpose of subsequent performance, in particular transport and travel costs and labour and material costs, shall be excluded insofar as such expenses increase because the delivery item has subsequently been taken to a location other than the place of delivery or the branch office of Buyer. This shall not apply in cases of supplier recourse under §§ 445a, 475 BGB or in the case of claims due to breaches of duty resulting from malice or intent or in connection with death or injury.

Any claims for cancellation on the part of Buyer against Seller in the event of resale of goods shall be valid only insofar as Buyer has not reached an agreement with its buyer (end buyer) or end customer that goes beyond statutory warranty claims.

k) Recognition of breaches of obligation must be made in writing to be valid.

Any guarantees given by Seller for certain goods shall apply in addition to claims for material defects or defects of title within the meaning of paragraph 1. Details of the scope of such guarantees shall be derived from guarantee conditions that accompany the article or the goods.

3. Information, advice, advertising. Information and advice regarding Seller's products/goods shall be provided exclusively on the basis of previous experience. As far as goods that require building supervisory approval are concerned, this approval is available. Only the product qualities specified by Seller (manufacturer) in relation to the respective product shall be decisive. Buyer or the end buyer and end customer must check at their own risk whether the goods can be installed and used as planned (see above). It is imperative that Buyer or end buyer and end customer carefully implement and observe product descriptions, assembly instructions and care instructions.

§ 8 Liability

1. Seller shall be liable for damages and reimbursement of expenses for defects already existing at the time of conclusion of contract only in the event of intent or gross negligence or if it fraudulently deceives Buyer.
2. If substantial defects occur that in accordance with the preceding provisions Buyer is not obliged to remedy or has not itself caused, Buyer shall initially only be entitled to remedy of defect by way of subsequent improvement within a reasonable period commencing on notification of defect. If remedy of defect is unsuccessful, unreasonable or impossible, Buyer shall have only statutory rights to reduction and withdrawal (see above).
3. In all other respects, liability of Seller, including for the conduct of its representatives and vicarious agents, for breach of other duties, tort and pursuant to §§ 280, 281 BGB shall be limited to gross negligence and intent. Seller shall therefore be liable only if it has caused the loss intentionally or through gross negligence. Seller is therefore not liable for loss or damage caused to Buyer's, end buyer's or end customer's goods, furnishings, data and the like, regardless of the type, origin, duration and extent of the damage or loss, unless Seller has caused the damage or loss intentionally or through gross negligence. This also applies to damage caused by the effects of moisture.
4. In the event of slight negligence, Seller shall be liable only if essential or typical contractual obligations (known as cardinal obligations) are breached. Cardinal obligations are those which enable contractual performance. Compensation for indirect loss such as loss of profit is excluded. With regard to electronic data and technical systems, it is recommended that Buyer, end purchaser and end customer take precautions against voltage drops and changes and take out appropriate electronic insurance (costs of data alteration, etc.).
5. The aforementioned exclusions and limitations of liability shall not apply in the event of death, injury or impairment of health, freedom or sexual self-determination resulting from a negligent breach of duty by Seller or a corresponding breach of duty by a legal representative or vicarious agent.
6. The aforementioned exclusions and limitations of liability shall not apply to damage or loss for the insurance of which Seller is responsible. In terms of amount, the Seller shall be liable, in particular in the event of recourse within the supply chain (§ 445 a BGB), up to the amount for which it is covered under its liability insurance. Buyer has the right at any time to ask Seller in writing about the amount of cover and the insurance conditions. Seller is obliged to inform Buyer, at least in text form, of the amount of cover and to make the insurance conditions available to Buyer upon request. Buyer is at liberty, in agreement with Seller and its insurer, to increase the sum insured on assumption of the policy costs involved.
7. If other factors have contributed to loss for which Seller is responsible, Seller shall be liable only to the extent of its fault in relation to the other causes.

§ 9 Copyright

Seller has copyright to all images, films and texts published or to be published by it. The images, films and texts may not be used without the express permission of Seller.

§ 10 Applicable law and jurisdiction

1. The law of Germany shall apply to the exclusion of UN sales law.
2. If Buyer is a merchant and has its head office in Germany at the time of the order, the exclusive place of jurisdiction shall be the head office of Seller, Bette GmbH & Co. KG, Heinrich-Bette-Strasse 1, 33129 Delbrück, Germany. Otherwise, for local and international jurisdiction, the applicable statutory provisions shall apply.

Publishing and legal information



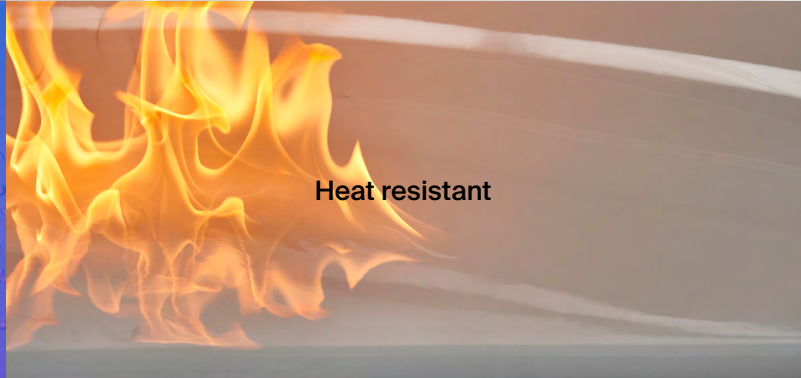
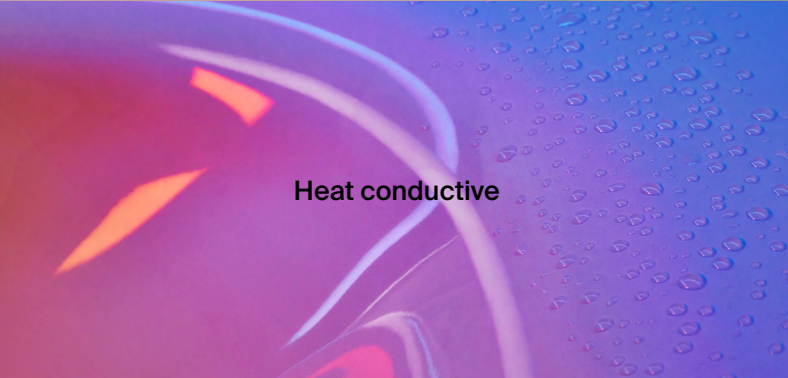
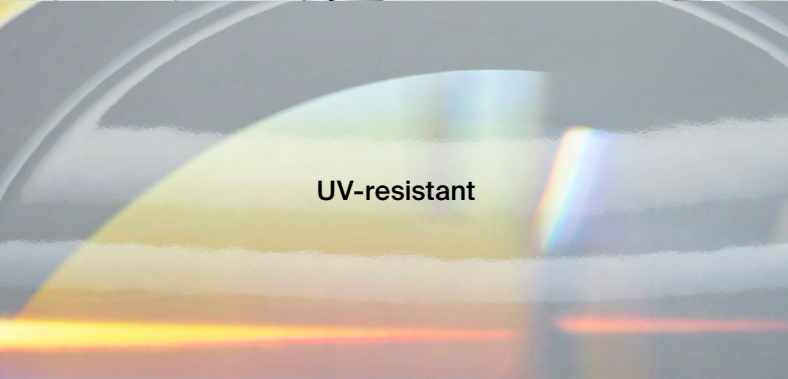
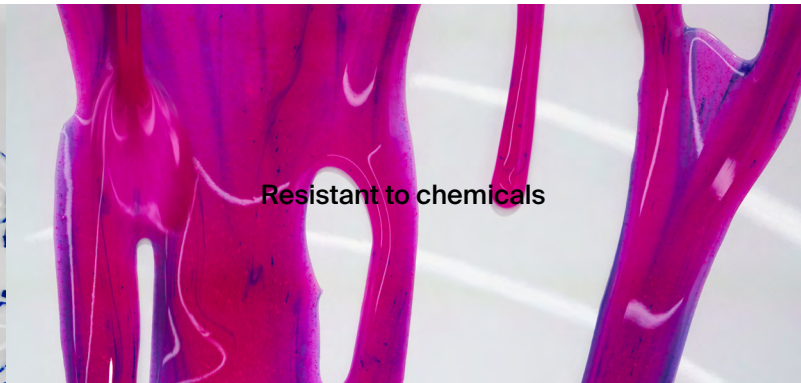
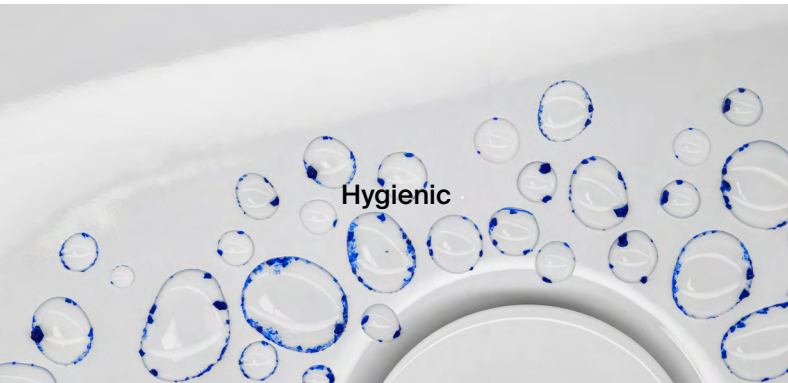
Copyright

All image and trademark rights reserved. Program and technical changes and errors excepted. The colours of individual illustrations may vary, due to the printing process.

Subject to model changes, printing and other errors.

Next generation material: Glazed Titanium-Steel

We believe in quality that lasts.



Glazed
Titanium-Steel



Sustainable
Quality

30

Years
Warranty



100%
recyclable



Made in
Germany

Gross purchase price list
Price list excluding VAT.
Valid from 1. January 2026

Bette GmbH & Co. KG
Heinrich-Bette-Straße 1
33129 Delbrück
Germany
T +49 5250 511-0
international@bette.de

www.my-bette.com

